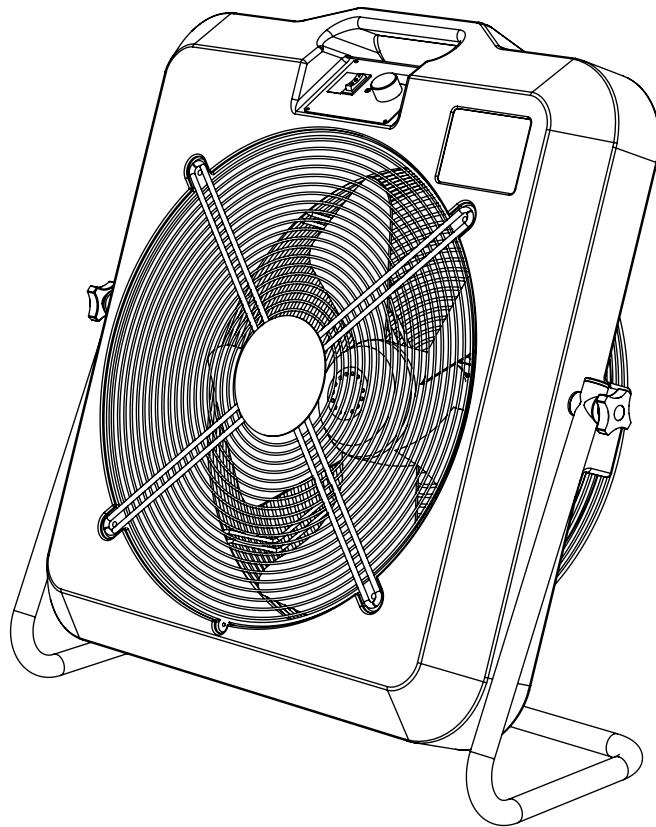


MB30/50



product manual

MB50 & MB30
230v 13A plug - 110v 16A plug

These instructions should be read by:

**The specifying engineer.
The installation engineer.
The user.
The service engineer.**



WARNINGS



- **Failure to follow these instructions may result in risk of personal injury or damage to the equipment.**
- **Damage due to a failure to follow these instructions will invalidate the warranty.**
- **The appliance must be serviced by qualified engineers in compliance with local regulations.**
- **The appliance must be switched off and disconnected from the power supply before any work is carried out.**
- **There are no user controls inside the appliance casing.**
- **Do not cover the appliance.**
- **Do not use in the vicinity of a pool, bath or shower.**
- **An air gap of at least 300mm should be allowed at the rear of the unit to ensure a clear airflow. Do not site the unit close to soft fabrics or combustible materials. Do not obstruct the outlet grill.**
- **This is a stationary appliance and should not be moved whilst connected to the power supply.**
- **Do not disconnect the appliance from the supply under load.**
- **For internal use only. Do not use out of doors.**
- **Extension cables should be correctly rated for the load, fully unwound and never run through water or over sharp edges.**
- **This is a class 1 product and requires an Earth connection.**
- **Use of a 30mA RCD is recommended.**
- **110v Transformers must be Continuously Rated.**
- **Do not use these fans with ducting.**

| TECHNICAL SPECIFICATIONS. MB FAN RANGE | | | | |
|---|-------------------|-------------------|-------------------|-------------------|
| Model | MB30. 110v | MB30. 230v | MB50. 110v | MB50. 230v |
| Weight | 9.1kg | 9.1kg | 14.4kg | 14.4kg |
| IP Rating | IP2X | IP2X | IP2X | IP2X |
| Current | 1.5A | 0.60A | 3.2A | 1.9A |
| Power supply | 110v. 16A. 50Hz | 230v. 13A. 50Hz | 110v. 16A. 50Hz | 230v. 13A. 50Hz |

Standards applied:

EN 60335-1:2012+A2:2019
EN 60335-2-80:A2:2009
EN 55014-1:2017
EN 55014-2:2015
EN 61000-3-2:2019
EN 61000-3-3:2008
EN 12100:2010

Product description:

The MB30/50 is a single phase industrial electric fan. It is supplied as a 230v or 110v machine.

The 230v appliance should be connected to a 13A 50Hz power supply and comes fitted with the appropriate UK power lead.

The 110v appliance should be connected to a 16A 110v 50Hz power supply and comes fitted with the appropriate power lead.

The MB30/50 comes with a high quality rotor fan motor.

The MB30/50 comes fitted with a variable fan speed controller as standard.

Setup and operation:

To start:

- Site the appliance on a firm level surface.
- Connect to the appropriate power supply.
- Please note! The control panel is situated at the front and top of the appliance.
- Set the rocker switch to I for full speed operation.
- Set the rocker switch to II for variable speed operation.
- When on setting II rotate the speed control knob to vary the speed of the fan.
- Clockwise to increase the speed. Counter clockwise to decrease the speed.

To stop:

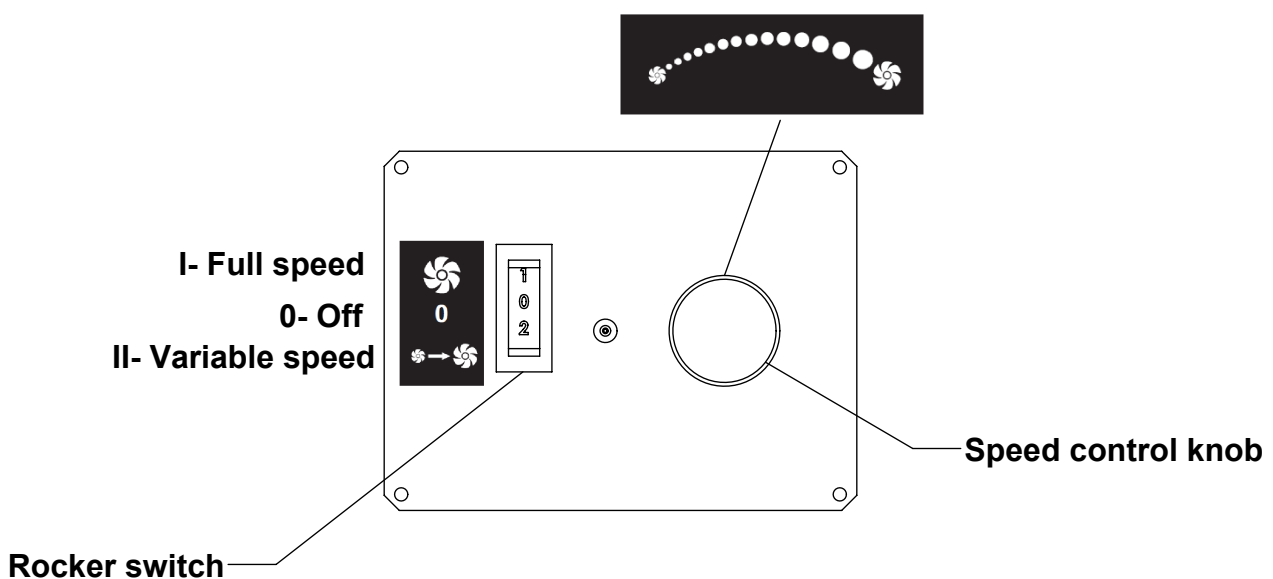
- Set the rocker switch to 0.
- Allow the fan motor to stop and disconnect from the power supply.

Do not move the appliance whilst it is operating!

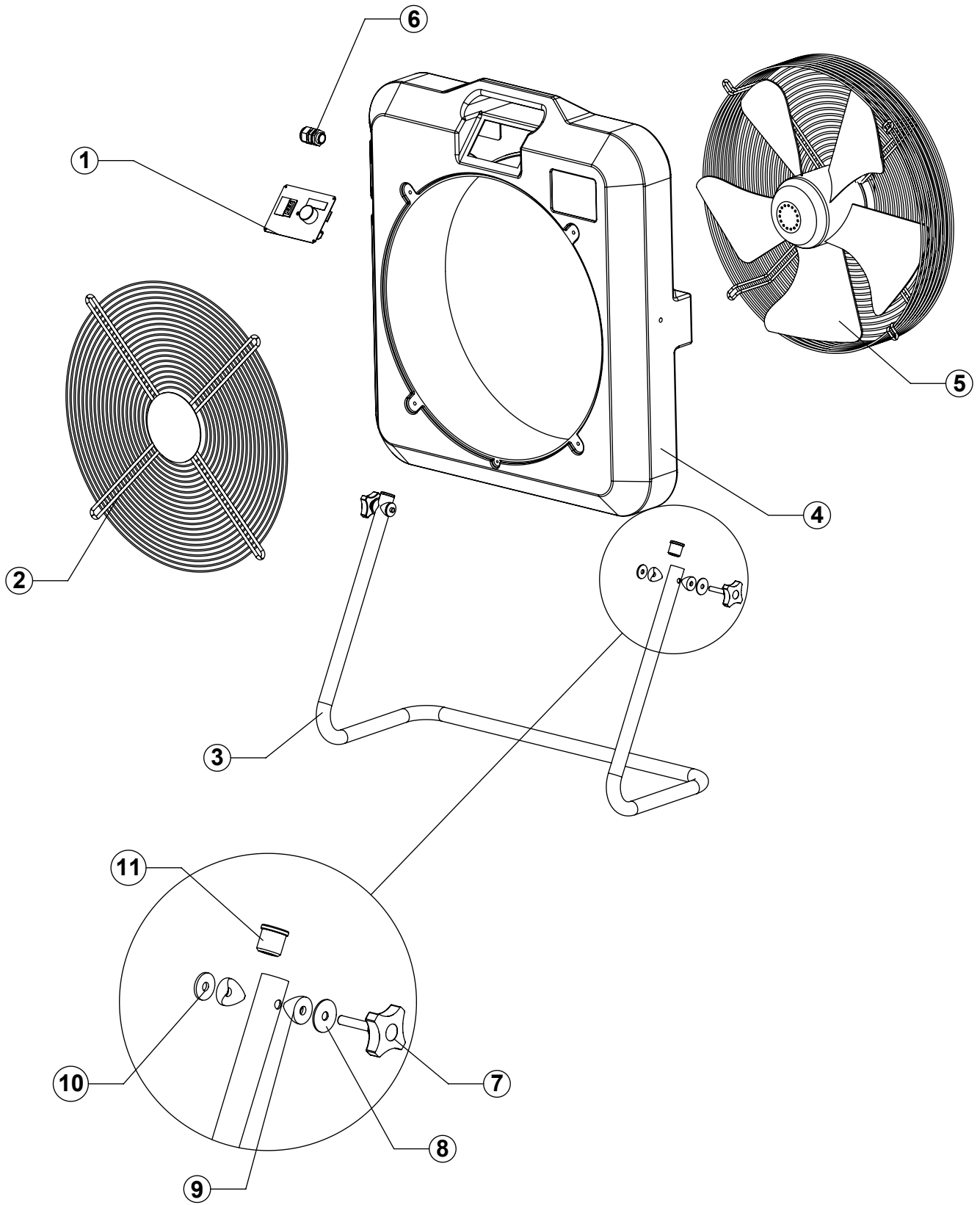
To adjust the angle of airflow:

- Loosen the hand wheels on both sides of the stand.
- Set the fan body to the desired angle.
- Tighten the hand wheels on both sides of the stand.

MB30/50 Control panel:



Exploded drawing:



Spare parts:

| | Part description | MB50 | | MB30 | |
|----|---------------------------|----------|----------|----------|----------|
| | | 110v | 230v | 110v | 230v |
| 1 | Speed controller assembly | EL030154 | EL030153 | EL030154 | EL030153 |
| 2 | Front grill | FG50 | FG50 | FG30 | FG30 |
| 3 | Stand | TBST50 | TBST50 | TBST30 | TBST30 |
| 4 | Moulded body | PB50G | PB50G | PB30G | PB30G |
| 5 | Fan motor | FA010127 | FA010128 | FA010129 | FA010130 |
| 6 | Cable gland c/w Locknut | CG125 | CG125 | CG125 | CG125 |
| 7 | Hand wheel | HW001 | HW001 | HW001 | HW001 |
| 8 | Steel washer. M8x30 | FI040402 | FI040402 | FI040402 | FI040402 |
| 9 | Saddle washer | SADWA01 | SADWA01 | SADWA01 | SADWA01 |
| 10 | Nylon washer | NYW01 | NYW01 | NYW01 | NYW01 |
| 11 | Frame bung | ME040334 | ME040334 | ME040335 | ME040335 |
| 12 | Power lead. (Not shown) | L110150 | L230125 | L110150 | L230125 |

Maintenance:

Fan motors and switch gear are not customer serviceable parts.

General maintenance should include:

- **Power lead. Check for signs of damage and replace if necessary.**
- **Air intake and outlet grills. Ensure grills are free from accumulated debris. Clear with compressed air if required.**
- **Fixings. Check all fixings are present and secure.**

Fault finding:

| FAULT | POSSIBLE CAUSE | SOLUTION |
|--|--|--|
| No air output. Fan motor not running. | Fan not switched on. | Check all switches are on. |
| | Speed control incorrectly set. | Turn knob clockwise. |
| | Power supply fault. | Check power supply. |
| | Faulty switch. | Check switch and replace if necessary. |
| Poor airflow. | Grills clogged with debris. | Clean the intake and outlet grills. |
| | Low voltage at power supply. | Check power supply. |
| | Variable speed controller set too low. | Adjust speed control knob. |

Wiring diagram. (All models).

