

Electric Over Door Heater



Turnbull & Scott™
Trusted.



PRODUCT DESCRIPTION

A powerful fan heater with a 90o adjustable fixing bracket for surface mounting on a wall above a door, or from a ceiling above a door to provide a welcoming warmth to entrants. Temperature control is provided via integral rocker switches next to the outlet grille on the unit. Units can operate in fan only mode as well as a partial heat mode. Models available also that are hardwired for operation with remote wall switches (model numbers ODH-3000R/4500R and ODH-6000 /9000).

Typical installations include shops, entrance halls, offices and workshop/warehouse doors. The fully adjustable bracket also allows the use of the over door heater for general space heating applications where a high level heater is required.

FEATURES

- 3kW, 4.5kW, 6kW and 9kW units available for single phase 230V supply
- ODH-9000 also available for three phase 400V supply
- Adjustable bracket for wall or ceiling mounting
- Keyhole fixing for alternative installation method
- Integral switches for heat selection and fan only options
- Optional remote wall switch unit ([ODH-RSW](#))- all models except ODH-3000/4500
- Pre-connected cable for ease of installation - ODH-3000/4500 only
- White powder coating as standard (RAL 9003)
- Other RAL colours can be available on request (subject to quantities ordered)

ODH | Electric Over Door Heater

TECHNICAL SPECIFICATION

Product Code	Application Type	kW	Volts	Length mm	Length Between Fixings mm	Height mm	Depth mm	Weight kgs
ODH-3000	Integral switching	3	230	600	505	220	120	5
OHD-3000R	For remote switching	3	230	600	505	220	120	5
ODH-4000	Integral switching	4.5	230	600	505	220	120	5
ODH-4500R	For remote switching	4.5	230	600	505	220	120	5
ODH-6000	Integral & remote switching	6	230	850	800	220	120	12
ODH-9000	Integral & remote switching	9	230/400	1235	1185	220	120	15
ODH-RSW	Remote switch unit (hard wired) required for remote switching							

APPLICATIONS

Our over door heaters provide a warm welcome for those entering by warming the air around the entrance area to create a pleasant room environment. A powerful fan heater, the over door heater is designed for use above frequently opened doors, to limit the egress of heated air and the ingress of cold air.

Typical installations include shops, entrance halls, offices, and workshop/warehouse doors. The fully adjustable bracket also allows the use of the over door heater for general space heating applications where a high level heater is required



ODH Electric Over Door Heater



ODH-RSW Remote Switch Unit

ODH | Electric Over Door Heater

CONTROL

TEMPERATURE

Control is via rocker switches next to the outlet grille.

ODH-3000

Switch for fan only, 1kW, 2kW and 3kW.

ODH-3000R

Switches for 1kW, 2kW and 3kW. The ODH-RSW remote switch can be connected to give on/off fan only and heat selection.

ODH-4500

Fan only control is achieved by switching of the main power supply switch. Switches for 2.25kW and 4.5kW.

ODH-4500R

Switches for 2.25kW 4.5kW. The ODH-RSW remote switch can be connected to give on/off fan only and heat selection.

ODH-6000

Switches for fan only 3kW and 6kW. The ODH-RSW remote switch can be connected to give on/off fan only and heat selection.

ODH-9000

ODH-9000 Switches for fan only 4.5kW and 9kW. The ODH-RSW remote switch can be connected to give on/off fan only and heat selection.

The ODH-3000 and ODH-4500 can be controlled by remote thermostat and/or time controller of suitable rating connected in the main supply line. The ODH-6000 and ODH-9000 can be controlled by remote thermostat and/or time controller of suitable rating in the heat control circuit.

ODH | Electric Over Door Heater

INSTALLATION

For optimum effect the heater should be mounted as close as possible to the top of the doorway. The maximum recommended mounting height is 2.3m for 3kW and 2.8m for 4.5kW, 6kW and 9kW units. Multiple units mounted side by side can be used for wider doorways.

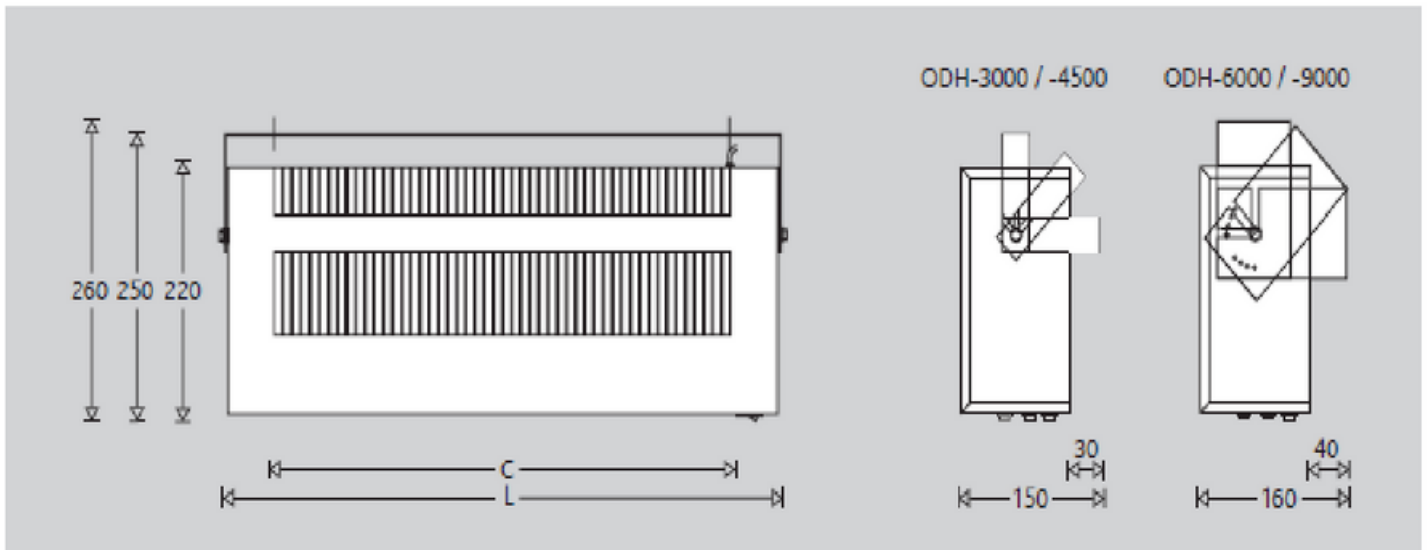
The unit should be securely fixed using the keyhole slots in the back of the unit or the adjustable mounting bracket. The mounting brackets allow easy wall or ceiling mounting.

To reduce the ingress of cold air from a frequently opening door the unit should be directed down. To contribute to the general space heating of the area the unit should be directed at an angle into the area.

ODH-3000 and ODH-4500 are supplied with a pre-connected cable for quick connection, the ODH-3000R, ODH-4500R, ODH-6000 and ODH-9000 are supplied with a cable grip gland or can be connected by conduit if preferred.

The 3kW should be connected to a suitably fused power supply. The 4.5kW, 6kW and 9kW must be connected directly to the power distribution board. Connection should be via a 2 pole switched connection unit having a contact separation of at least 3mm in all poles.

All electrical connections should be made by a suitably qualified person in accordance with the latest edition of the IEE Requirements for Electrical Installation (BS 7671:2008).



DECLARATION OF CONFORMITY

Name of manufacturer/supplier: Turnbull & Scott (Engineers) Ltd.
Unit 1A,
Burnfoot Industrial Estate,
Hawick,
Roxburghshire,
TD9 8SL
U K

Description of Product: Over Door Heater
Model No: MP-ODH-xxxx.

Serial No: See product label

Year of Manufacture: Incorporated in Serial No.
B= 2018, C=2019, D=2020 etc.

Directives/Regulations to which the product conforms: 1. The Electromagnetic Compatibility Regulations 2016, with specific reference to BS EN 61000
2. The Electrical Equipment (Safety) Regulations 2016, with specific reference to BS EN 60335-1:2012 and BS EN 60335-2-30:2009+A11:2012

Name of Authorised Representative: S.R.Mcilwain
Position of Authorised Representative: Technical Director

Declaration

I declare that as the authorised representative, that the above information in relation to the supply/manufacture of this product is in conformity with the stated standards and other related documents following the provisions of UK legislation.

This declaration is issued under the sole responsibility of the product manufacturer.

Signed.



Additional Information

The technical documentation for the ODH is available from:

Name: Turnbull & Scott (Engineers) Ltd.

Address: Unit 1A,
Burnfoot Industrial Estate,
Hawick,
Roxburghshire,
TD9 8SL
U K

Place of issue: Hawick, Scotland.

Contact: info@turnbull-scott.co.uk
Please use email title; ODH technical enquiry

**UK
NI**

CE

**UK
CA**



Burnfoot Industrial Estate
Roxburghshire
Scotland, TD9 8SL

www.turnbull-scott.co.uk
+44 (0)1450 372 053