

# Owner's Manual

## LGR 7000XLi Portable Dehumidifier

Model F412

LEGEND BRANDS, INC.

15180 Josh Wilson Road, Burlington, WA 98233

Phone: 800-932-3030 Fax: 360-757-7950 [LegendBrandsRestoration.com](http://LegendBrandsRestoration.com)

The Legend Brands® LGR 7000XLi dehumidifier reduces humidity in enclosed environments by removing water vapor from the air. The 7000XLi is rugged, durable and highly portable, making it ideal for water damage restoration, structural drying, construction, and other applications requiring temporary, high-performance dehumidification.

Patents: <http://www.LBpatents.com>

## SAVE THESE INSTRUCTIONS

### **WARNING**



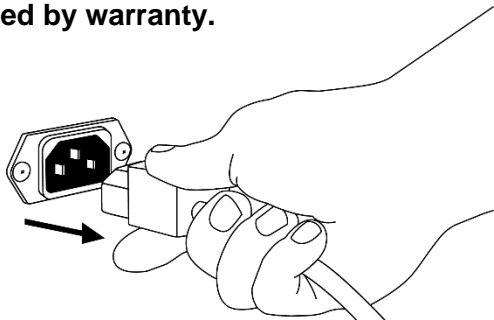
**WARNING!** Do not alter or modify your unit in any way. Use only replacement parts authorized by Legend Brands. Modifications or use of unapproved parts could create a hazard and will void your warranty. Contact your local distributor for assistance.

**WARNING!** Electric shock hazard, rotating fan, hot surface hazards. Unplug unit before opening cover for cleaning or servicing. Unit must be grounded.

### **CORRECT PLUG REMOVAL**

*Grasp IEC plug and pull straight out*

**IMPORTANT:** Damage to IEC receptacle or dehumidifier resulting from improper removal of the power cord is not covered by warranty. The IEC power cord is a wear item and is not covered by warranty.



- Inspect the power cord before use. If cord is damaged, do not use. Always grasp the plug (not the cord) to unplug.
- Insert three-prong plug on power cord into a matching electrically grounded outlet. Do not use adapter. Never cut off third prong. Do not use an extension cord.
- The unit must be operated on a 120V/60Hz circuit protected by a Ground Fault Circuit Interrupter (GFCI) device.
- Keep motor and wiring dry.
- Do not attempt to repair the unit. For Authorized Service Centers, contact Legend Brands.

### **INTRODUCTION**

LGR (low-grain refrigerant) dehumidifiers utilize an internal pre-cooling system to boost water removal efficiency. LGR units can continue to remove moisture in drier environments where conventional refrigerants cannot.

### **OPERATING YOUR DEHUMIDIFIER**

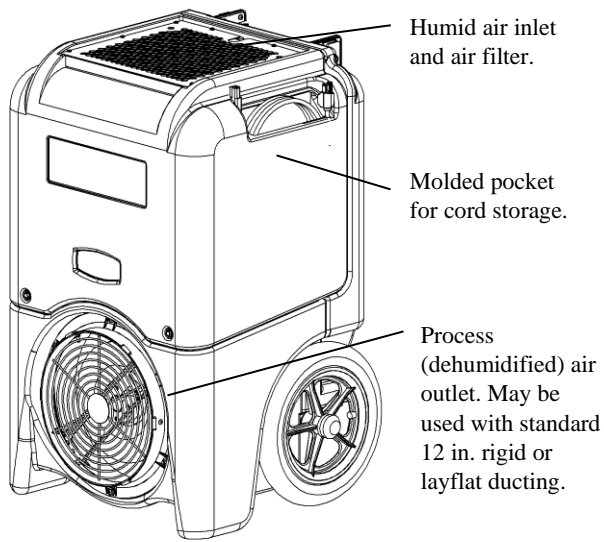
#### **Set unit upright**

**NOTICE:** Transporting or storing the unit in a horizontal position is not recommended. When the machine is placed in a horizontal position, the oil from the compressor can flow into the refrigerant coils and reduce the ability of the dehumidifier to function and possibly damage the unit. If the unit has been placed in a horizontal position, set it upright and let it stand for at least 30 minutes before turning it on.

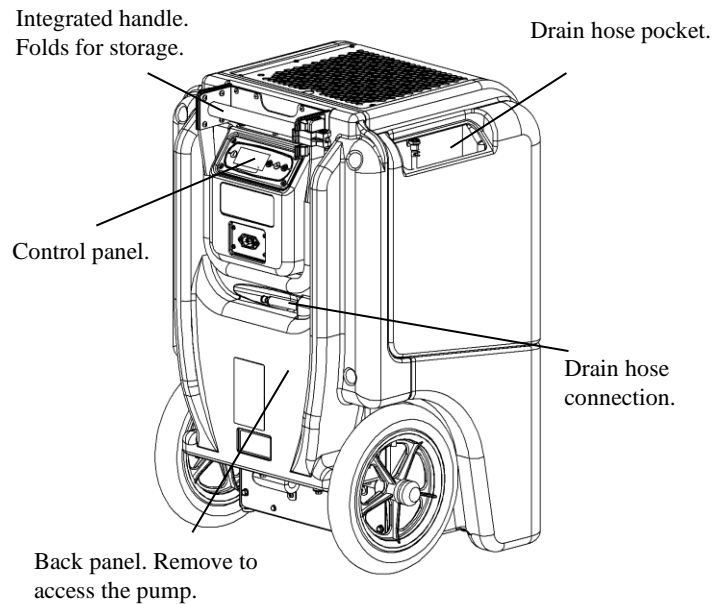
#### **Positioning a Dehumidifier**

For best results, operate your dehumidifiers in an enclosed area. Close all doors and windows that open to the outside to maximize the unit's water removal efficiency. Place your dehumidifier away from obstructions, and keep it away from anything

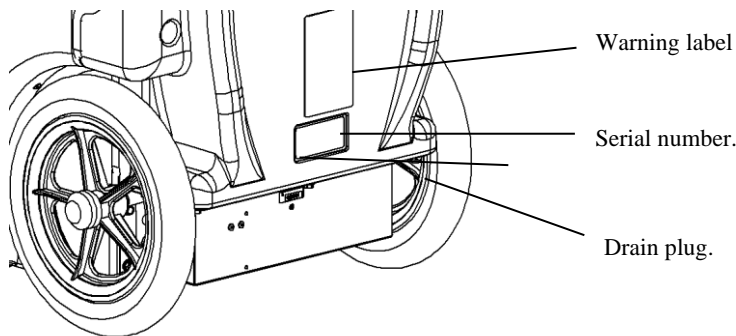
**FIG. A: FRONT**



**FIG. B: BACK**



**FIG. C: LOWER BACK PANEL**



that could block airflow into and out of the unit. For more information, contact your Legend Brands distributor.

**Set up drain hose**

This unit automatically pumps out water on a regular basis. The condensate pump connects to a plastic drainage hose that is located in the pocket on the side of the unit. This hose is equipped with a quick-connect fitting for quick attachment to the provided drain hose. Unwrap the entire hose and place the unattached end in a sink, drain, bucket or outdoors – anywhere that water can drain out safely. If you use a bucket or other container for water collection, check it regularly to prevent overflows.

**NOTICE:** Uncoil and straighten the entire drain hose. Do not leave any part of the hose coiled on the unit and do not place the end of the hose higher than 20 ft. (6 m)

above the bottom of the unit. Also check for kinks or other obstructions that might restrict the flow of water. Obstructions may cause a water backup and result in overflows.

**Plug in electrical cord**

The dehumidifier should be plugged into a GFCI-protected 120 volt outlet rated for at least 15 amps. Remove the cord from its storage pocket and uncoil it. Always plug the cord firmly into the unit first, and then plug the other end into a suitable outlet.

**Turn the unit on**

The control panel has a display and a touchpad with four keys. Press the ON/OFF to turn the unit on. The unit will now go through a compressor delay countdown (up to 60 seconds in duration) and a self-diagnostics process, then switch to normal display mode.

## Startup display and normal display modes

When unit is first plugged in to AC power, the control panel display will briefly cycle through a series of readouts. This is part of the unit's self-diagnosis procedure and no user intervention is required.

Once the self-diagnosis is complete, the display will switch to **normal display mode**.

**UNIT ON 00 HRS**  
**INLET 00°C / INLET 00%**

The **first line** of the display shows the total number of hours the unit has been in operation. This value may be reset to zero to track job hours (see "Job Hours Reset" below). The **second line** of the display alternates between inlet temperature and inlet humidity.

## User Settings Menu

A number of settings may be changed by the user. System information can also be displayed. These items are accessed by pressing DISPLAY MENU. Each press of the key will display the next parameter. When you reach the parameter you wish to adjust, press MENU SELECTION to increase the value. Press DISPLAY MENU again to accept the setting and re-start the display cycle. If no keys are selected for 20 seconds the display will automatically reset and return to the normal display mode.

Note that only menu items followed by a greater-than symbol ( > ) may be adjusted. All settings and modes are discussed in detail in User Settings, below.

## Error messages

If the Unit onboard diagnostics discover a problem, the unit will display an error message. See "Error Messages," below, for an explanation of each message.

**ON/OFF.** Press to turn the unit on or off. When the machine is turned on, the display normally reads PLEASE WAIT COMP. DELAY and performs a numeral countdown from a maximum of 60 seconds to 0. This delay allows time for refrigerant pressures to equalize for easier starting. Once the unit completes the compressor delay, the display shows UNIT ON XX HRS and cycles between INLET XX°F and INLET XX%. NOTE: If no compressor delay countdown is displayed, a delay is not necessary and the machine will begin operation immediately.

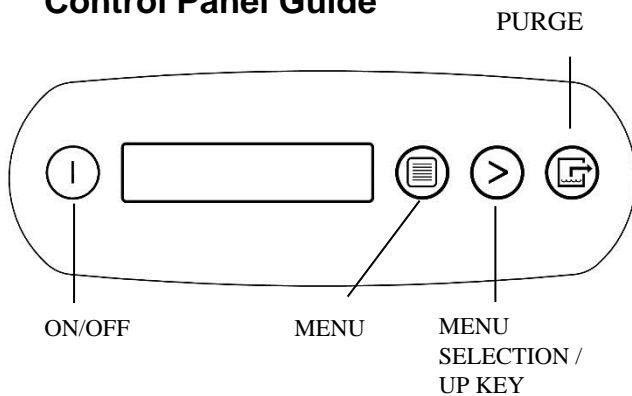
**DISPLAY MENU.** Press to cycle through the display of additional dehumidifier conditions and User Settings. To return to the main menu, press the ON/OFF key once.

**MENU SELECTION.** Press to change the v of the "User Defined" settings. The MENU SELECTION key acts as the UP key for adjusting the setpoint for Humidistat mode operation. See User Settings Menu (below) for details.

**PURGE.** Press to empty water from the condensate pump reservoir. The display will read PUMP PURGING with a numeral countdown.

NOTE: During normal operation, the pump purges automatically.

## Control Panel Guide



ON/OFF	Press and release to turn unit on or off.
DISPLAY MENU	Press to select next item in menu. Menu item will show in display.
MENU SELECTION / UP KEY	Press to toggle or select values in menu displayed.
PURGE PUMP	Press and release to start purge. Display will count down seconds remaining until purge is complete.

## USER SETTINGS

Only menu items followed by a greater-than symbol (>) can be adjusted. If no keys are selected for 5 minutes on screens: INLET OUTLET, GRAIN DPR, the display will return to normal display mode. In all the other menu items, the display will return to the normal display mode after 20 seconds. Items without the symbol (>) are for information only and cannot be changed or reset.

Press **DISPLAY MENU** to proceed to the next menu item. ↓

Press > **MENU SELECTION** to change the setting. →

1. JOB HRS RESET >  
PWR INTERRUPT X

>

1. JOB HR RESET 0  
PWR INTERRUPT 0

Press > to reset to 0.

2. INLET OUTLET  
100' 80% 115' 30%

For information only.

3. GRAIN DPR  
XX GPP

Unit displays GPP if set to Fahrenheit or g/kg if set to Celsius. To change this setting, see menu item 9.

4. CHECK FILTER  
XXX HRS >

>

4. FILTER CHECKED  
0 HRS

Press > to clear filter hours.

5. COIL CLEANED  
XXX HRS >

>

5. COIL CLEANED  
0 HRS

Press > to clear coil hours.

6. HUMIDISTAT  
MODE OFF >

>

6. HUMIDISTAT  
MODE ON >

Press > to turn ON or OFF. **For maximum dehumidification, make sure HUMIDISTAT is OFF.**

7. HUMIDISTAT  
SETPPOINT XX% >

>

Press > to cycle through 40%–90% at 5% increments (default is 50%).

8. LANGUAGE  
ENGLISH >

>

8. IDIOMA  
ESPANOL >

>

8. SPRACHE  
DEUTSCH >

>

8. LANGUE  
FRANCAIS >

Press > to change language options.

9. TEMP UNITS  
'F >

>

9. TEMP UNITS  
'C >

Press > to change to °F or °C.

10. COIL TEMP  
XX'

For information only.

11. COMP CURRENT  
XX.X A

For information only.

12. FIRMWARE  
3.XX FXXX-XXX

For information only.

13. LIFE HOURS  
XXXX HRS

(Returns to top menu item.)

The following section available only on wireless-equipped units.

14. SENSOR ID  
XXXXXXXXXX

(Returns to top menu item.)

## AT THE END OF THE JOB

To reduce the possibility of drips when moving the unit, follow these additional steps to ensure that all water is removed from the unit.

**NOTICE:** To ensure all water is removed from the dehumidifier, the unit will complete the defrost cycle even if the unit is turned off. If the unit is unplugged during the defrost cycle, excessive water may accumulate in the unit and may drip out when you move the unit. If the defrost cycle is interrupted in this way, note that the unit will display the message POWER FAILURE the next time it is powered up. To clear the message, press the MENU SELECTION key.

**NOTICE:** To ensure the condensate tank empties completely while purging, make sure the unit is placed upright on a horizontal surface.

**1. Do not turn unit off or move it until it has returned to normal operating mode. To confirm unit status, review the control panel. The control panel will display one of the following messages:**

*Defrost in progress:*

---  
**DEFROST XX**

Display mode when unit is in defrost mode. XX indicates the seconds remaining on the defrost cycle.

*Shutdown sequence*

**WAIT FOR  
DEFROST XX**

Display mode when unit in defrost and unit is powered down (shut off by user). Unit will complete the defrost cycle to remove any built-up ice then purge the pump. XX indicates the seconds remaining on the defrost cycle.

*Drying sequence*

**WAIT FOR  
UNIT DRYING XXX**

Display mode when unit not in defrost and unit is powered down (shut off by user). Unit will complete the 5 minute drying cycle then purge the pump. XX indicates the seconds remaining on the drying cycle.

*Normal display:*

**UNIT ON 00 HRS  
INLET XXX°F / XX%**

The unit has completed a defrost and drying cycle and has returned to normal mode. You may now proceed to step 2.

**2. Gently rock the machine to ensure any water remaining on interior surfaces falls into the sump area.**

**3. Press the PURGE key. When the purge cycle is complete, turn the unit off.**

**4. Remove the external drain hose, drain it carefully, coil it and secure it with one of the straps provided on the side of the unit.**

## TRANSPORTATION AND STORAGE

**IMPORTANT:** Before moving, transporting or storing, purge unit and stow hose and power cord as described in the “At the End of the Job” section above.

**NOTICE:** Handle the unit carefully. Do not drop, throw or place the unit where it could fall. Rough treatment can damage the dehumidifier and may create a hazardous condition or void the warranty.

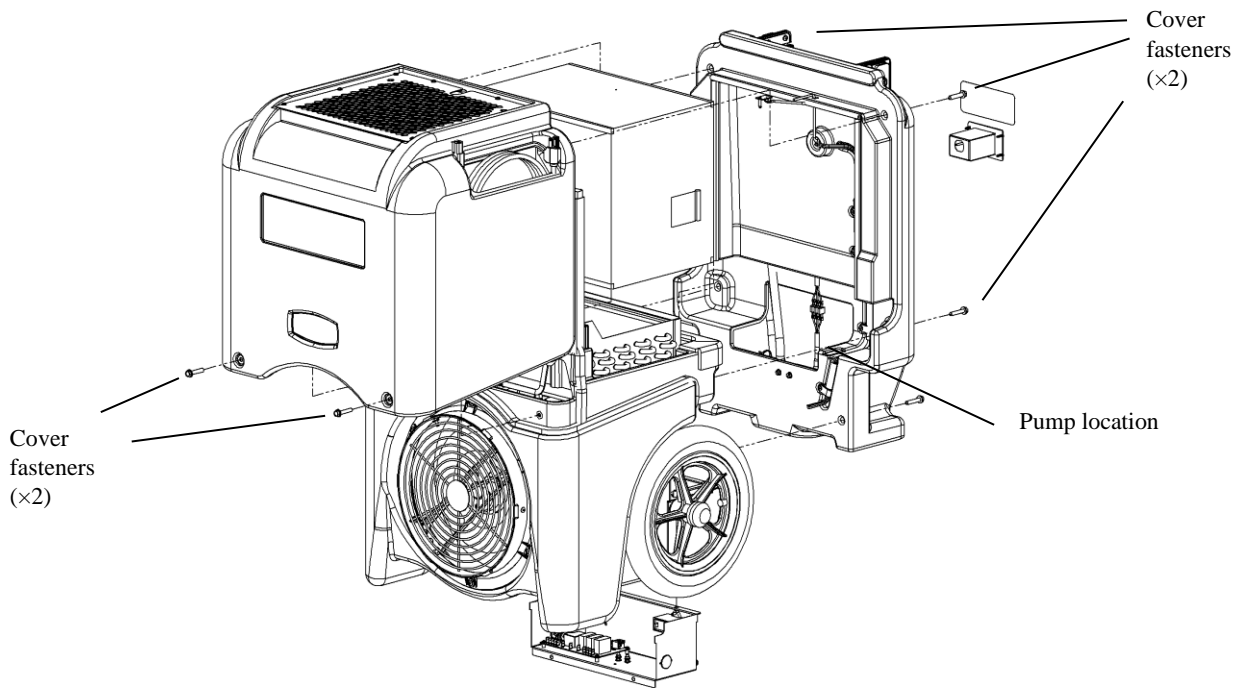
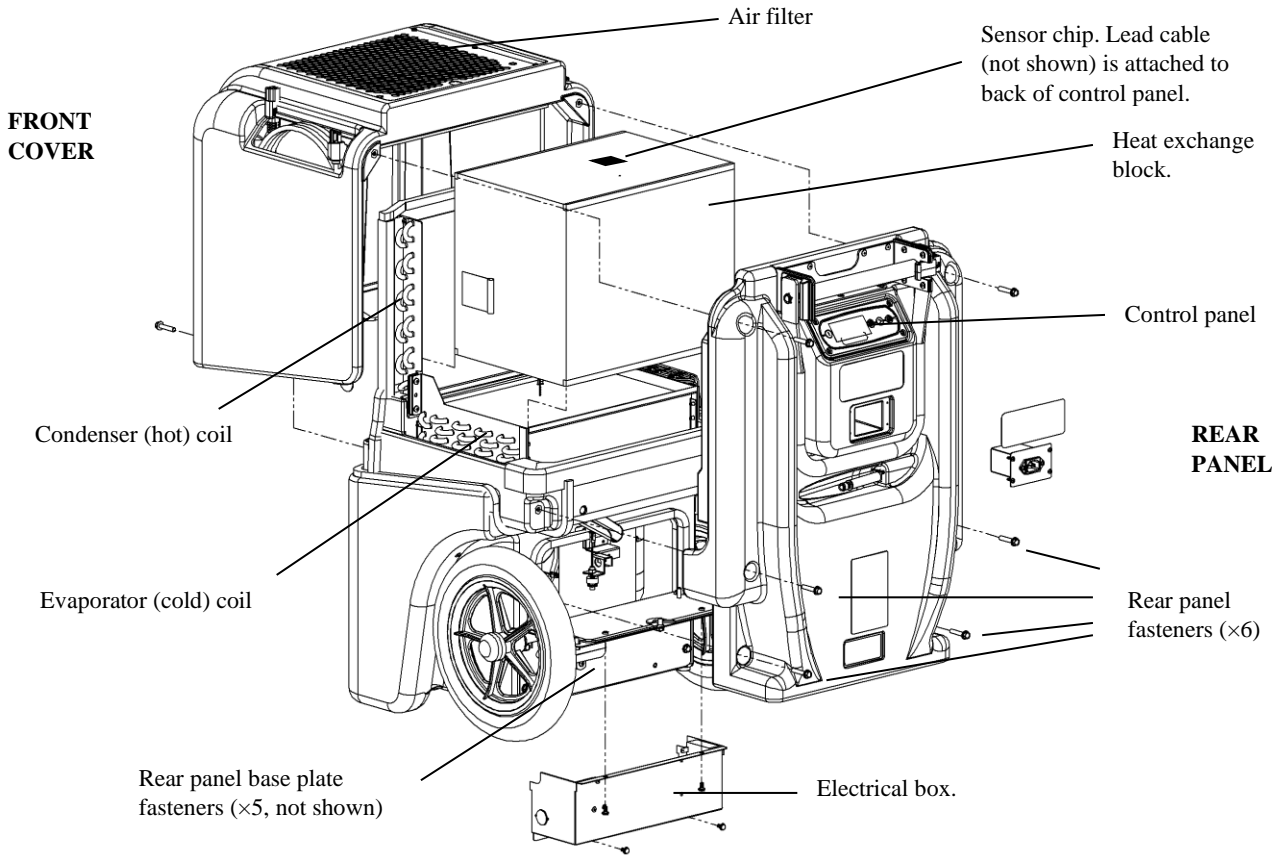
- Do not expose the control panel to moisture, snow or rain.
- Store and transport securely to avoid any damaging impact to internal parts.
- Secure during transport to prevent sliding and possible injury to vehicle occupants.
- Do not transport or store the unit on its front, sides or back. This will help to prevent any remaining moisture from escaping from the unit or flowing into areas outside the sump.

### ***Special tip for transporting on stairs:***

Before transporting unit on stairs, follow these additional steps to ensure that all water is removed from the unit:

1. Turn the unit off after a defrost cycle has been completed. Gently rock the upright machine on its wheels to ensure any water remaining on interior surfaces falls into the sump area.
2. Press the PURGE key. When the purge cycle is complete, turn the unit off.
3. Remove the external drain hose, drain it carefully, and return it to the pocket provided on the side of the unit.
- 4. IMPORTANT: Remove power cord from base of unit, coil it neatly, and place it in the cord storage pocket. This will prevent the cord from catching on the stairs and possibly damaging the cord.**

**FIG. D: PARTS DIAGRAM**



## MAINTENANCE SCHEDULE

---

**WARNING! ELECTRIC SHOCK HAZARD.** Unplug the dehumidifier before performing any maintenance.

**WARNING:** Risk of dust and contaminants exposure. Use of respirator mask and gloves is recommended. If unit has been exposed to potentially dangerous contaminants, clean thoroughly and sanitize before reuse.

**NOTICE:** The unit is fitted with sensitive electronic sensors. Protect the sensors and their lead wires from damage and do not expose them to water or cleaning solution.

**The following tools and supplies are needed to complete the maintenance procedures described in this manual:**

- Philips and flat blade screwdrivers
- Needle-nose pliers
- $\frac{9}{16}$  in. wrench
- $\frac{3}{8}$  in. nut driver or socket
- $\frac{5}{16}$  in. socket (to remove pump)
- 6 in. socket extension
- Ratchet wrench
- Cleaning cloths
- HEPA vacuum cleaner with soft brush nozzle and crevice nozzle.

### **Recommended**

Cordless drill, small knife, small-jaw pliers, coil cleaning solution, Rotomolded housing cleaning solution

### **Before each use**

**Inspect the electrical cord for damage.** Look for fraying, cuts, etc. Replace the cord if you find any damage.

**Inspect filter.** Replace if accumulation of dust and debris is visible.

**NOTICE:** Replace used filters only with a new Legend Brands 4-PRO filter part no. F581 (24-pack). Other filter types do not provide adequate filtration or airflow. Each filter is individually wrapped to protect filtration effectiveness. Remove the wrapper before installing the filter into the dehumidifier.

### **Monthly**

**Inspect coils and heat exchange block.** Clean when dust accumulation is visible. In normal use, dust can accumulate and can restrict airflow, reducing performance and causing the unit to overheat. See “Disassembling the unit to clean coils and the heat exchange block,” below.

**To maintain appearance,** wipe interior and exterior surfaces with a damp cloth. For deep cleaning and a lasting, protective shine, use a similar automotive interior treatment.

### **As Needed**

**Clean Pump Check Valve and Basin.** If the unit displays the message “ER9 PUMP BLOCKED PUMP & HOSE”, the pump check valve and pump basin may need to be cleaned. This requires removal of the back cover.

**Clean coils and heat exchange block.** Inspect the horizontal evaporator (cold) coil with the back cover removed. If excessive dust and debris is present, vacuum thoroughly and/or clean with alkaline (non-acidic) coil cleaner.

## SYSTEM MESSAGES

The Control Panel will display the following messages based on system performance and environmental conditions. User action, if any is required, is indicated in the third column.

CONTROL PANEL MESSAGE	EXPLANATION	USER ACTION
INITIALIZING	Unit is powering up.	None
FIRMWARE VERSION XXX	Indicates control board firmware version number.	None
FXXX-XXX	Model number.	None
OFF	Unit has finished powering up and is operating.	None
PLEASE WAIT COMP. DELAY XX	60s delay before compressor turns on. Allows system pressure to equalize.	None
UNIT ON XXXX HRS INLET XXX°F / XX%	First line: indicates total operating hours. Second line: Toggles between inlet temperature and inlet RH every 2 seconds.	None
HUMIDISTAT INLET XXX°F / XX%	First line: indicates unit is in humidistat mode Second line: Toggles between inlet temperature and inlet RH every 2 seconds.	None
LOW TEMP INLET XXX°F/ XX%	Unit shuts off if inlet temp below 45°F/7°C. Turns back on when inlet reaches 50°F/10°C.	None
--- PUMP PURGING XX	Displays when the Pump Purge button is pressed. Shows time remaining in seconds.	None
HI TEMP CYCLE REMAINING XX MIN	Unit overload limit reached. Cool-down initiated.	None
--- DEFROST XX	Unit is defrosting, with countdown in seconds.	None
WAIT FOR DEFROST XXX	Unit turned off when coil is cold or already in a defrost cycle. Proceeds to finish cycle or initiate one to clear the coils of ice before storage.	None
WAIT FOR UNIT DRYING XXX	Occurs when unit is turned off and coil is not frozen. Clears the coils of water before storage.	None
CHECK FILTER > ---	Prompt to change filter.	Change filter. Press the > key to reset
CLEAN COILS > --	Prompt to clean coils and interior.	Clean coils. Press the > key to reset

## ERROR MESSAGES

If the control system detects an error, it will produce an error (“ER”) message. If this occurs, first unplug the unit and then plug it back in. This will usually reset the electronics, and the unit will begin operating normally. If the error message reappears, refer to the explanations and solutions shown below. If these solutions do not fix the problem, contact your local authorized service center.



CONTROL PANEL MESSAGE	EXPLANATION AND SOLUTION
ER4 DEFROST SENSOR CONNECT -or- ER4 OUTLET SENSOR CONNECT	Temp sensor is open, missing, or shorted. Check that temp sensors are installed correctly on control panel. If error persists, contact service.
ER5 SENSOR CONNECTION ON BD	Inlet Temp/RH sensor is open, missing, or shorted. Check that inlet temp/RH sensor is installed correctly on control panel and inlet shroud. If error persists, contact service.
ER6 CONTACT SERVICE CENTER	Current sensor failure. If error persists, contact service.
ER7 INVALID MODEL SETTING	Incorrect or unsupported DIP switch settings. Contact Legend Brands service department for correct DIP switch settings.
ER8 BUTTON STUCK ALL BUTTONS	Key is stuck or has been held down too long. Contact service.
ER9 PUMP BLOCKED PUMP & HOSE	Check for obstructions in drain hose. Check the pump.

# TROUBLESHOOTING

FAULT	CAUSE	SOLUTION
Water drips out when moving unit	Unit was unplugged before purging was complete.	Purge unit before moving. See "At the End of the Job."
Unit does not operate	Unit not switched on. No power to machine.	Switch unit on. Plug in unit; check power cord connection at wall outlet and at base of unit.
Blower wheel not turning	Obstructed blower.	Remove duct ring and grill and remove obstruction. Replace duct ring and grill.
Unit operating, but room not dry	Not enough time to dry. Poor air movement in room. Excessive moist air infiltration.	Make sure "Humidistat" is OFF. Allow more time for drying. Increase air movement with air movers. Seal off area to reduce infiltration.
Unit collects too little water	Room air is dry. Room temperature is too low. Air filter is full. Heat exchange block and/or coils are clogged.	Make sure "Humidistat" is OFF. Confirm humidity level with hygrometer. Increase room temperature. Check filter. Clean or replace as necessary. Check heat exchange block and coils. Clean as necessary.
<p><i>If the problem you are experiencing is not listed here, contact your Legend Brands location for further assistance.</i></p>		

## SPECIFICATIONS

Model	LGR 7000XLi (F412)
Water removal AHAM (80°F/60% RH)	130 pts.   61.5 liters / day
Water removal low grain (80°F/20% RH)	17 pts.   8 liters / day
Process air (max.)	325 CFM* ductable floor-level outlet.
Dimensions (H x D x W)	33.5 x 20 x 20 in.   85 x 51 x 51 cm
Weight	107 lbs.   49 kg
Amps	8.3A
Volts	115V
Frequency	60Hz
Noise level (avg.)	62 dB
Air filter	Part no. F581 (24 pack)
Drain hose	40 ft.   12.2 m
Power cord	25 ft.   7.6 m
Construction	Rotomolded shell
Safety	ETL certified CSA 22.2 no. 92
<p>Specifications are subject to change without notice. Some values may be approximate. *Fan speed varies automatically for optimized performance.</p>	

Warranty information is available at [LegendBrandsRestoration.com](http://LegendBrandsRestoration.com).

Be sure to visit [Warranty.LegendBrandsRestoration.com](http://Warranty.LegendBrandsRestoration.com) and register your purchase. Your registration will help us provide you with updated product information as needed.

For proper disposal, this unit should be taken to a recycler licensed to process refrigeration equipment.



**WARNING:** This product may expose you to chemicals, including lead and phthalates, known to the State of California to cause cancer, birth defects, or other reproductive harm. For more information, go to [P65Warnings.ca.gov](http://P65Warnings.ca.gov)

# Manual para el usuario

## Deshumidificador portátil LGR 7000XLi

Modelo F412

LEGEND BRANDS, INC.

15180 Josh Wilson Road, Burlington, WA 98233

Teléfono: 800-932-3030 Fax: 360-757-7950 [LegendBrandsRestoration.com](http://LegendBrandsRestoration.com)

El deshumidificador LGR 7000XLi de Legend Brands® reduce la humedad en ambientes cerrados eliminando el vapor de agua que se encuentra en el aire. El modelo 7000XLi es resistente, duradero y fácil de transportar, características que lo convierten en un elemento ideal para la reparación de daños causados por el agua, el secado de estructuras, la construcción y otros usos para los que se necesita temporalmente un deshumidificador de alto rendimiento.

Patentes: <http://www.LBpatents.com>

## CONSERVE ESTAS INSTRUCCIONES

### **! WARNING**



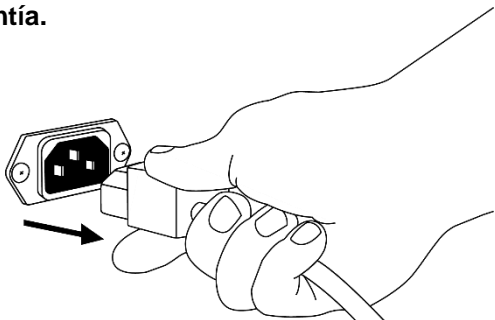
### IMPORTANTES INSTRUCCIONES DE SEGURIDAD

**ADVERTENCIA!** Peligro de sufrir una descarga eléctrica, lastimarse con el ventilador rotatorio y

### ADECUADO RETIRO DEL ENCHUFE

*Tome el enchufe IEC y tire recto*

**IMPORTANTE:** Cualquier daño en el receptáculo IEC o en el deshumidificador consecuencia de un inadecuado retiro del cable eléctrico no será cubierto por la garantía. El cable eléctrico IEC es un elemento con desgaste y no está cubierto por la garantía.



quemarse con una superficie caliente. **Desenchufe la unidad antes de abrir la tapa para limpiarla o hacerle mantenimiento. La unidad debe tener descarga a tierra.**

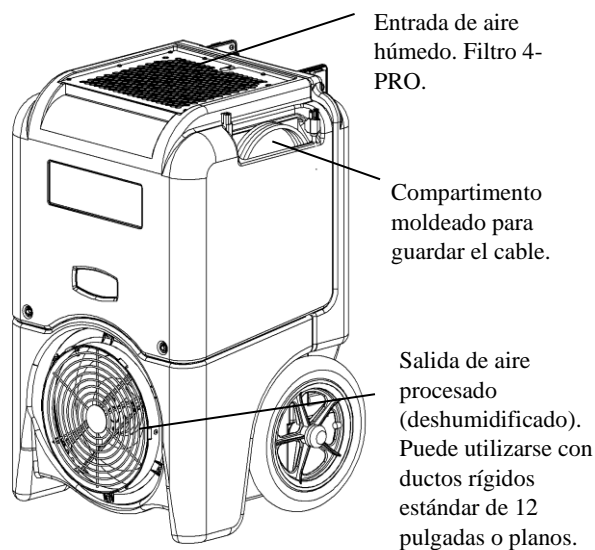
- Controle el cable de alimentación antes de usarlo. Si está dañado, no lo use. Para desenchufar la unidad, tire siempre del enchufe (nunca del cable).
- Coloque el enchufe de tres clavijas que está en el extremo del cable de alimentación en un tomacorriente con descarga a tierra adecuado. No use adaptadores. Nunca corte la tercera clavija. No use cables prolongadores.
- La unidad debe utilizarse en un circuito eléctrico de 120 V/60 Hz, protegido por un interruptor del circuito de fallos de conexión a tierra (GFCI, por sus siglas en inglés).
- No utilice el aparato en agua estancada. Mantenga el motor y los cables secos.

### INTRODUCCIÓN

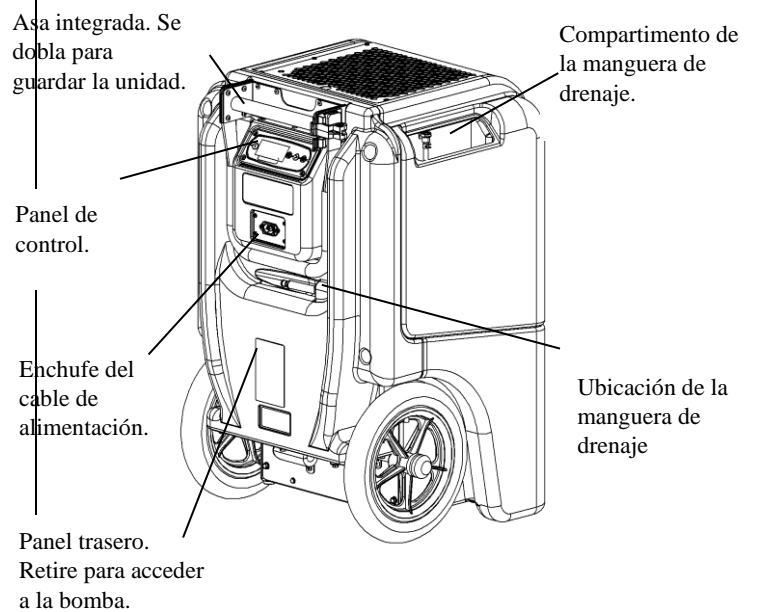
Los deshumidificadores refrigerantes de grano bajo (LGR, por sus siglas en inglés), como el LGR 145, utilizan un sistema de preenfriamiento interno para aumentar la eficiencia de la eliminación de agua. Las unidades LGR tienen la capacidad de eliminar la humedad en ambientes más secos en donde los refrigerantes convencionales no pueden.

# IDENTIFICACIÓN DE LAS PARTES

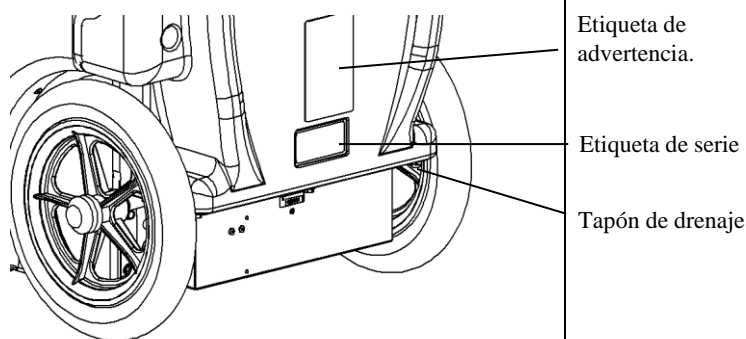
## IMAGEN A : FRENTE



## IMAGEN B : ATRÁS



## IMAGEN C: PANEL POSTERIOR INFERIOR



## EL FUNCIONAMIENTO DE SU DESHUMIDIFICADOR

### Coloque la unidad en posición vertical

**AVISO:** No se recomienda transportar o almacenar la unidad en posición horizontal. Si se encuentra en posición horizontal, el aceite del compresor puede fluir hacia las bobinas del refrigerante y reducir la capacidad del deshumidificador, e incluso dañar la unidad. Si la unidad se ha colocado en posición horizontal, cámbiela para que quede en posición vertical y déjela reposar durante mínimo 30 minutos antes de encenderla.

### Colocación del deshumidificador

Para obtener los mejores resultados, utilice los deshumidificadores en un área cerrada. Cierre todas las puertas y ventanas que se abren al exterior para aumentar al máximo la eficiencia de eliminación de agua de la unidad. Coloque el deshumidificador sin obstrucciones, lejos de cualquier objeto que pueda bloquear el flujo de aire que entra y sale de la unidad. Para obtener más información sobre cómo crear un ambiente óptimo de secado, comuníquese **con su sucursal de Legend Brands.**

## Extienda el mango

Desbloquee el mango girando la palanca roja de bloqueo hacia afuera y luego levante el mango hasta que esté en su lugar. Gire la palanca roja hasta la posición de bloqueo para que el mango quede fijo en la posición de funcionamiento.

**AVISO:** No use el mango extendido para levantar la unidad del suelo de forma horizontal. No use el mango extendido como punto de sujeción para sujetar la unidad a un vehículo para su transporte. Estos usos aplicarán una tensión indebida a los puntos de sujeción del mango en la carcasa.

## Instale la manguera de drenaje

Esta unidad bombea automáticamente el agua hacia afuera de forma uniforme. La bomba de condensado del Unit se conecta a una manguera de drenaje de plástico que se encuentra en el compartimento lateral de la unidad. Esta manguera está equipada con un accesorio que permite conectarla rápidamente con la manguera de drenaje de 40 pies (12 m). Desenrolle toda la manguera y coloque el extremo suelto en un fregadero, desagüe, cubeta, al aire libre o en cualquier lugar en que el agua pueda drenarse de forma segura. Si utiliza una cubeta u otro recipiente para recolectar el agua, verifique periódicamente que no se desborde.

**AVISO:** Desenrolle y estire toda la manguera de drenaje. No deje ninguna parte de la manguera enrollada en la unidad y no coloque el extremo de la

manguera a más de 20 pies (6 m) por encima de la parte inferior de la unidad. También revise que la manguera no esté torcida y que no haya obstrucciones que disminuyan el flujo del agua. Las obstrucciones pueden causar que el agua se regrese, lo cual puede dar como resultado algún desbordamiento.

## Conecte el cable eléctrico

**El deshumidificador Unit debe conectarse a una toma de corriente** de 120 voltios con protección GFCI para un mínimo de 15 amperios. Saque el cable del compartimento de almacenamiento y desenróllelo. Siempre conecte firmemente el cable a la unidad primero, y luego conecte el otro extremo a una toma de corriente adecuada.

## Encienda la unidad

El panel de control del deshumidificador Unit tiene una pantalla y un teclado táctil con cuatro teclas.

Presione ON/OFF para encender la unidad.

### Pantalla de inicio y modos de visualización normales

Cuando la unidad se conecta por primera vez a la electricidad, la pantalla del panel de control mostrará un ciclo breve de varias leyendas. Esto es parte del procedimiento de autodiagnóstico de la unidad y no se requiere ninguna intervención del usuario.

Una vez que el autodiagnóstico haya finalizado, la pantalla cambiará a modo de visualización normal.

PRENDIDO XXXX HR  
ENTRADA XXX°C / 00 %

La **primera línea** de la pantalla muestra el número total de horas que la unidad ha estado en funcionamiento. Este valor puede ponerse en cero para registrar las horas de trabajo (consulte "Restablecimiento de las horas de trabajo", que aparece a continuación). La **segunda línea** de la pantalla muestra tanto la temperatura de entrada como la humedad de entrada.

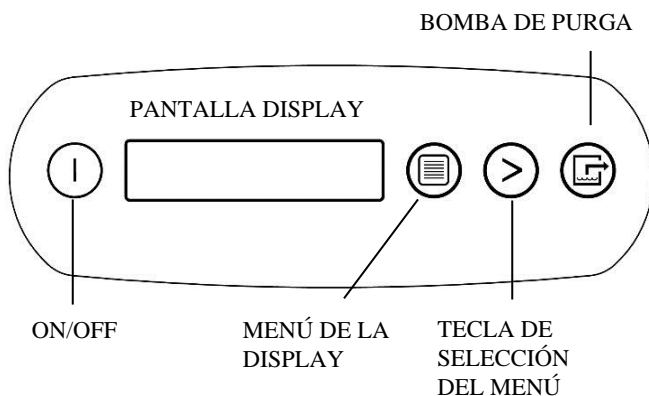
### Menú de ajustes del usuario

El usuario puede cambiar varios ajustes. También se puede mostrar la información del sistema. Para acceder a estos elementos, presione MENÚ DE LA PANTALLA. Para ver el siguiente parámetro, vuelva a presionar esta tecla. Cuando aparezca el parámetro que desee ajustar, presione la TECLA DE SELECCIÓN DEL MENÚ para aumentar el valor. Presione MENÚ DE LA PANTALLA de nuevo para aceptar el ajuste y volver a iniciar el ciclo de la pantalla. Si no se selecciona ninguna tecla durante 20 segundos, la pantalla se reiniciará automáticamente y volverá a su modo normal.

Tome en cuenta que sólo los elementos del menú que están acompañados de un símbolo de mayor que (>) pueden ajustarse.

Todos los ajustes y modos se describen a detalle en la AJUSTES DE USUARIO.

## PANEL DE CONTROL



ON/OFF	Presione y suelte para encender o apagar la unidad.
MENÚ DE LA PANTALLA	Presione para seleccionar el siguiente elemento del menú. Este elemento se mostrará en la pantalla.
TECLA DE SELECCIÓN DEL MENÚ	Presione para cambiar o seleccionar valores en el menú que aparece en la pantalla.
BOMBA DE PURGA	Presione y suelte para comenzar la purga. La pantalla mostrará la cuenta regresiva de los segundos que faltan para finalizar la purga.

## Mensajes de error

Si el diagnóstico interno del Unit descubre un problema, la unidad mostrará un mensaje de error. Consulte “Mensajes de error”, para obtener una explicación de cada mensaje.

## Guía sobre el panel de control

**PRENDIDO/APAGADO.** Presione esta tecla para encender o apagar la unidad. Cuando la máquina está encendida, suele aparecer en la pantalla la leyenda POR FAVOR ESPERE RETAR COMPRS y se produce una cuenta regresiva que va desde un máximo de 60 segundos hasta 0. Esta demora permite que las presiones de refrigerado se equilibren para que el comienzo sea más sencillo. Una vez que finaliza el retardo del compresor, aparece en la pantalla PRENDIDO XX H, y se alterna el mensaje ENTRADA XX °F con el mensaje ENTRADA XX%.  
NOTA: Si no aparece una cuenta regresiva por el retardo del compresor, significa que dicho retardo no es necesario y la máquina comenzará a funcionar de inmediato.

**MOSTRAR MENÚ.** Presione esta tecla para ver en la pantalla los distintos estados del deshumidificador, así como las configuraciones del usuario. Para volver al menú principal, presione la tecla PRENDIDO/APAGADO una sola vez.

**SELECCIÓN DEL MENÚ.** Presione esta tecla para cambiar los valores de las configuraciones establecidas por el usuario. La tecla SELECCIÓN DEL MENÚ también funciona como la tecla ARRIBA, la cual permite modificar el valor prefijado para que la unidad funcione en modo “humidistato”. Para obtener una descripción detallada, consulte “Menú de configuraciones del usuario” (más abajo).

**PURGAR.** Presione esta tecla para eliminar el agua que se encuentra en el depósito de la bomba de condensado. En la pantalla se verá la leyenda BOMBA PURGANDO y una cuenta regresiva. NOTA: Durante el funcionamiento normal, la bomba se purga automáticamente.

Tenga en cuenta que pueden ajustarse solamente los elementos del menú seguidos por el símbolo de mayor que (>).

## AJUSTES DE USUARIO

Solo se pueden ajustar los elementos del menú que estén seguidos de un símbolo de «mayor que» (>). Si no se selecciona ninguna tecla en las siguientes pantallas en un lapso de 5 minutos: INLET OUTLET (ENTRADA SALIDA), DPR GRAIN (GRANO DE DPR), la pantalla volverá al modo de visualización normal. En todos los demás elementos de menú, la pantalla regresará al modo de visualización normal después de 20 segundos. Los elementos que no tienen el símbolo (>) son únicamente para información y no se pueden cambiar ni restablecer.

Presione **MOSTRAR MENÚ** para pasar a la siguiente opción del menú. ↓

Presione > **SELECCIÓN DEL MENÚ** para cambiar el ajuste. →

1. HRS REINICIAR> FALLA DE LUZ X	>	1. H DE TRABAJO 0 FALLA DE LUZ 0	Presione > para restablecer a 0.				
2. ENTRADA SALIDA 100' 80% 115' 30%			Sólo para información.				
3. ENTRADA-SALIDA XX.X g/kg							
4. FILTRO LIMPIO XXX HR >	>	4. FILTRO LIMPIO 0 HRS	Presione > para borrar las horas de limpieza del filtro.				
5. COMPROBAR BOBINA XXX HRS >	>	5. COMPROBAR BOBINA 0 HRS	Presione > para borrar las horas de limpieza de la bobina.				
6. HIGROSTATO MODO APAGADO>	>	6. HIGROSTATO MODO PRENDIDO>	Presione > para poner en ON u OFF (ENCENDER o APAGAR). <b>Para una deshumidificación máxima, vele por que HUMIDISTAT esté apagado.</b>				
7. CONSIGNA HIGROSTATO XX%>	>		Presione > para alternar entre el 40% y el 90% en incrementos de 5% (el valor predeterminado es de 50%).				
8. IDIOMA ESPANOL >	>	8. SPRACHE DEUTSCH >	>	8. LANGUE FRANCAIS >	>	8. LANGUAGE ENGLISH >	Presione > para cambiar las opciones de idioma.
9. TEMPERATURA 'C >	>	9. TEMPERATURA 'F >	Presione > para cambiar a °F o °C.				
10. TEMP BOBINA XX'			Sólo para información.				
11. CORR COMPRS XX.X A			Sólo para información.				
12. FIRMWARE 3.XX FXXX-XXX			Sólo para información.				
13. TOTAL DE HRS XXXX HR							

(Regresa al elemento del menú superior).

La siguiente sección está disponible sólo en las unidades equipadas con sistema inalámbrico.

14. SENSOR ID XXXXXXXXXX
-----------------------------

(Regresa al elemento del menú superior).

## AL FINAL DE TRABAJO

**Para reducir la posibilidad de goteos al mover la unidad, siga estos pasos adicionales para asegurarse de que toda el agua sea retirada de la unidad.**

AVISO: Para asegurar que toda el agua sea quitada del deshumidificador, la unidad habrá de completar el ciclo de descongelamiento incluso si se halla apagada. Si la

unidad fuera desenchufada durante el ciclo de descongelamiento, es posible que se acumule en la misma el exceso de agua y gotear cuando se la traslade.

AVISO: Para asegurarse de que el tanque de condensado se vacíe por completo mientras se hace el purgado, asegúrese de que la unidad esté en posición vertical sobre una superficie horizontal.

**1. No apague ni mueva la unidad hasta que regrese al modo normal de funcionamiento. Para corroborar el estado de la unidad, examine el panel de control:**

*Descongelamiento en progreso:*

---  
**DESCONGELE XXXX**

Modo de visualización cuando la unidad está en modo de descongelamiento. XX indica los segundos restantes en el ciclo de descongelamiento.

*Secuencia de apagado*

**ESPERE A QUE SE  
DESCONGELE XXX**

Modo de visualización cuando la unidad está en modo de descongelamiento es apagada (por el usuario). La unidad completará el ciclo de descongelamiento para quitar cualquier hielo acumulado y luego purgará la bomba. XX indica los segundos restantes en el ciclo de descongelamiento.

*Secuencia de secado*

**ESPERE A QUE SE  
SECADO XXX**

Modo de visualización cuando la unidad no está en modo de descongelamiento y es apagada (por el usuario). La unidad completará el ciclo de secado de 5 minutos y después purgará la bomba. XX indica los segundos restantes en el ciclo de descongelamiento.

*Visualización normal:*

**PRENDIDO XXXX HR  
ENTRADA XXX°C / XX%**

Espere hasta que el control muestre la pantalla normal antes de proceder.

- 2. Mueva suavemente la máquina para asegurarse de que cualquier resto de agua en las superficies interiores caiga en el área del colector.**
- 3. Pulse la tecla de PURGADO. Cuando se complete el ciclo de purgado, apague la unidad.**
- 4. Retire la manguera de drenaje externo, escúrrala con cuidado, enróllela y sujétela con una de las tiras al costado de la unidad.**

## **TRANSPORTE Y ALMACENAMIENTO**

**AVISO:** Maneje la unidad con cuidado. No la deje caer, ni la aviente, ni la coloque en un lugar en que pueda caerse. Si maneja la unidad sin el debido cuidado, ésta puede dañarse y causar algún peligro o anular la garantía.

- No exponga el panel de control a la humedad, la nieve ni la lluvia.
- Guárdelo y transpórtelo de forma segura para evitar cualquier efecto perjudicial en las partes internas.
- Amarre durante el transporte para evitar que se deslice y lastime a los ocupantes del vehículo.

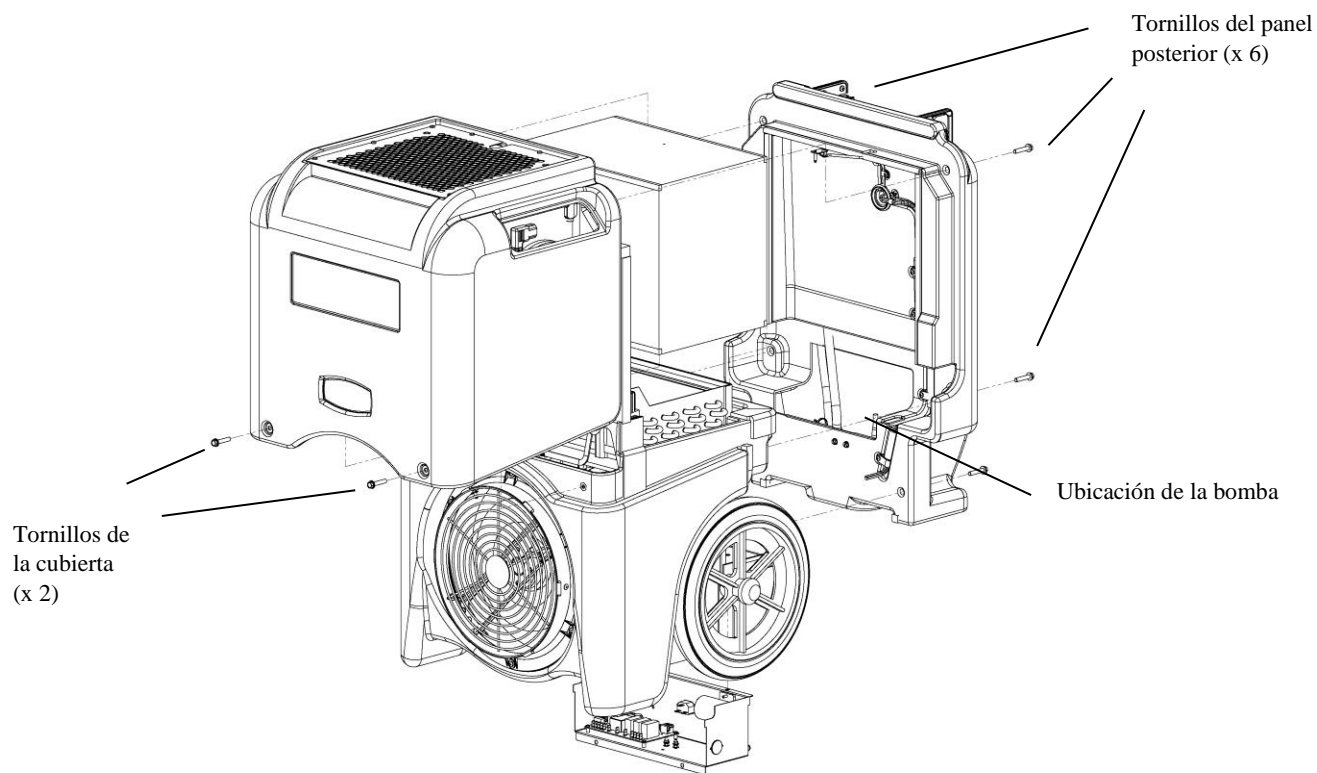
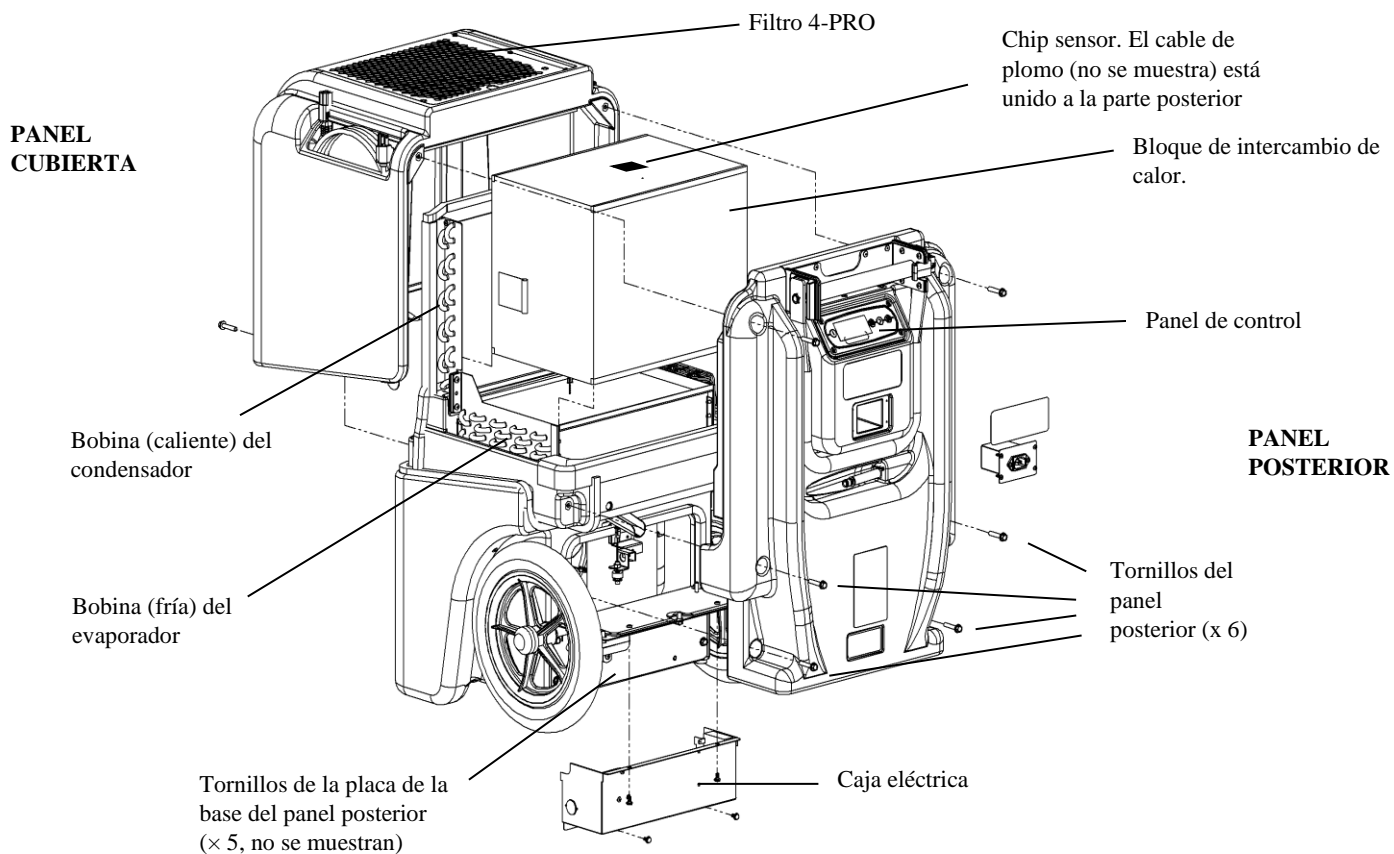
### **Consejo especial para el transporte en escaleras:**

Antes de cargar la unidad en escaleras, siga estos pasos adicionales para asegurar que se elimine toda el agua:

1. Apague la unidad una vez que haya terminado el ciclo de descongelación. Agite suavemente la máquina en posición vertical sobre sus ruedas para asegurarse de que el agua que quede en las superficies interiores caiga al área del recolector.
2. Presione la tecla PURGA. Cuando el ciclo de purga haya finalizado, apague la unidad.
3. Retire la manguera de drenaje externa, escúrrala con cuidado y vuelva a colocarla en el compartimento lateral de la unidad.
- 4. IMPORTANTE: Quite el cable de alimentación, enróllelo cuidadosamente y colóquelo en el bolsillo de almacenamiento del cordón.**



# IMAGEN D: DIAGRAMA DE LAS PIEZAS



## PROGRAMA DE MANTENIMIENTO

**¡ADVERTENCIA! PELIGRO DE DESCARGA ELÉCTRICA.** Desconecte el deshumidificador antes de darle mantenimiento.

**ADVERTENCIA:** Peligro de exposición al polvo y a varios contaminantes. Se recomienda utilizar una mascarilla y guantes. Si la unidad ha quedado expuesta a contaminantes peligrosos, límpiela a fondo y desinféctela antes de volver a utilizarla.

**AVISO:** La unidad está equipada con sensores electrónicos sensibles. Proteja los sensores y sus cables para que no se dañen, y no permita que los toque el agua ni ninguna solución de limpieza.

**Las siguientes herramientas y suministros se necesitan para realizar los procedimientos de mantenimiento descritos en este manual:**

- Desarmadores Philips y de punta plana
- Pinzas con puntas de aguja
- Llave de  $\frac{9}{16}$  pulg.
- Llave de tuercas o de dado, de  $\frac{3}{8}$  pulg.
- Llave de dado de  $\frac{5}{16}$  pulg. (para retirar la bomba)
- Extensión para llave de dado de 6 pulg.
- Matraca
- Paños de limpieza
- Aspiradora HEPA con boquilla de cepillo suave y boquilla estrecha.

### Recomendado

Taladro inalámbrico, cuchillo pequeño, alicates pequeños, solución de limpieza para bobinas, solución de limpieza para caja rotomoldeada

## Antes de cada uso

**Revise que el cable eléctrico no esté dañado.** Si ve que el cable está quemado, cortado o con algún daño, reemplácelo.

**Inspeccione el filtro:** reemplácelo si observa que hay acumulación de polvo y suciedad.

**AVISO:** Reemplace los filtros usados con un filtro nuevo Legend Brands, 4-PRO número de pieza F581 (paquete de 24). Otros tipos de filtros no proporcionan filtración o flujo de aire adecuados. Cada filtro se envuelve individualmente para conservar la eficiencia de la filtración. Quite la envoltura antes de instalar el filtro en el deshumidificador.

## Una vez al mes

**Revise las bobinas y el bloque de intercambio de calor.** Limpie la unidad cuando vea que se ha acumulado el polvo. Con el uso normal, el polvo puede acumularse y limitar el flujo de aire, lo cual reduce el rendimiento y provoca que la unidad se sobrecaliente. Consulte “¿Cómo desarmar la unidad para limpiar las bobinas y el bloque de intercambio de calor”.

**Para mantener una apariencia limpia,** limpie las superficies interiores y exteriores con un paño húmedo. Para limpiar profundamente y lograr un brillo duradero que proteja la unidad, utilice un tratamiento de limpieza similar al del interior de un auto.

## Cuando sea necesario

**Limpie la válvula de retención y la bandeja de la bomba.** Si la unidad muestra el mensaje “ER9 BOMBA TAPADA BOMBA&MANGUERA,”, probablemente sea necesario limpiar la válvula de retención y la bandeja de la bomba. Para ello, es necesario retirar la cubierta posterior.

**Limpie las bobinas y el bloque de intercambio de calor.** Revise la bobina (fría) horizontal del evaporador ya que haya retirado la cubierta posterior. Si hay exceso de polvo y residuos, aspire bien y/o límpiela con la solución limpiadora para bobinas.

## MENSAJES DEL SISTEMA

El panel de control mostrará los mensajes siguientes de acuerdo con el rendimiento del sistema y las condiciones ambientales. Si se necesita alguna acción por parte del usuario, se indicará en la tercera columna.

MENSAJE DEL PANEL DE CONTROL	EXPLICACIÓN	ACCIÓN DEL USUARIO
INICIALIZAR	La unidad se está encendiendo.	Ninguna
VERSION FIRMWARE XXX	Indica el número de versión del <i>firmware</i> del tablero de control.	Ninguna
FXXX-XXX	Número de modelo.	Ninguna
APAGADO	La unidad ha completado el encendido y está funcionando.	Ninguna
POR FAVOR ESPERE RETAR COMPRS XX	Retraso de 60 segundos antes que se encienda el compresor. Permite que se equipare la presión del sistema.	Ninguna
PRENDIDO XXXX HR ENTRADA XXX °C / XX%	Primera línea: indica las horas totales de funcionamiento. Segunda línea: alterna entre la temperatura de entrada y la humedad relativa de entrada cada 2 segundos.	Ninguna
HIGROSTATO ENTRADA XXX °C / HUMISTATO ENTRADA XX %	Primera línea: indica que la unidad está en el modo Humidistat. Segunda línea: alterna entre la temperatura de entrada y la humedad relativa de entrada cada 2 segundos.	Ninguna
BAJA TEMP ENTRADA XXX °C / XX%	La unidad se apaga si la temperatura de entrada es inferior a 45 °F/7 °C. Se vuelve a encender cuando la temperatura de entrada llega a 50 °F/10 °C.	Ninguna
--- PURGA DE AQUA XX	La purga de la bomba tiene una cuenta regresiva en segundos. Presione la tecla nuevamente para detenerla.	Ninguna
CICLO ALTA TEMP. MIN RESTANTES XX	Se alcanzó el límite de sobrecarga de la unidad. Se inició el enfriamiento	Ninguna
--- DESCONGELE XXXX	La unidad se está descongelando, y hay una cuenta regresiva en segundos.	Ninguna
ESPERE A QUE SE DESCONGELE XXX	La unidad se apaga cuando la bobina está fría o ya está en el ciclo de descongelamiento. Avanza al ciclo final o inicia un ciclo para eliminar el hielo de las bobinas antes de almacenar la unidad.	Ninguna
ESPERE A QUE SE SECADO XXX	Ocurre cuando la unidad se apaga y la bobina no está congelada. Elimina el agua de las bobinas antes de almacenar la unidad.	Ninguna
VERIFICA EL FILTRO > APAGADO	Solicitar cambiar el filtro.	Cambiar el filtro. Presione la tecla > para reiniciar
LIMPIAR BOBINA APAGADO	Indicación para limpiar las bobinas y el interior.	Limpie las bobinas. Presione la tecla > para reiniciar

## MENSAJES DE ERROR

Si el sistema de control detecta un error, se producirá un mensaje de error ("ER"). Si esto ocurre, desconecte la unidad y luego conéctela de nuevo. Por lo general, esto restablecerá la parte electrónica, y la unidad comenzará a funcionar normalmente. Si el mensaje de error vuelve a aparecer, consulte las explicaciones y soluciones que se muestran a continuación. Si estas soluciones no se resuelven el problema, póngase en contacto con su centro de servicio local autorizado.

MENSAJE DEL PANEL DE CONTROL	EXPLICACIÓN Y SOLUCIÓN
ER4 CONEXION SENSOR DESCONG or ER4 CONEXION SENSOR SALIDA	Sensor de temperatura abierto, faltante, o en cortocircuito. Compruebe que los sensores de temperatura estén instalados correctamente en el panel de control. Si el error persiste, comuníquese al centro de servicio.
ER5 CONEXION SENSOR TABLERO	Sensor de temperatura/humedad relativa de entrada abierto, faltante, o en cortocircuito. Compruebe que el sensor de temperatura/humedad relativa esté instalado correctamente en el panel de control y la cubierta de entrada. Si el error persiste, comuníquese al centro de servicio.
ER6 CONTACTAR CENTRO DE SERV	Falla en el sensor de corriente. Si el error persiste, comuníquese al centro de servicio.
ER7 INVAL AJUSTE	Configuración incorrecta o incompatible de los interruptores DIP. Comuníquese al centro de servicio de Legend Brands para obtener la configuración correcta de los interruptores DIP.
ER8 BOTON ATORADO	La tecla se ha atascado o se ha oprimido por demasiado tiempo. Comuníquese al centro de servicio.
ER9 BOMBA TAPADA BOMBA&MANGUERA	Compruebe si hay obstrucciones en la manguera de desagüe. Revise la bomba.

## RESOLUCIÓN DE PROBLEMAS

FALLA	CAUSA	SOLUCIÓN
Gotea agua al mover la unidad	La unidad se desenchufó antes de completar la purga.	Purgue la unidad antes de moverla. Vea "Al final del trabajo".
La unidad no funciona.	Unidad no encendida. La unidad no está enchufada.	Encienda la unidad. Enchufe la unidad; compruebe la conexión del cable de alimentación en el tomacorriente y en la base de la unidad.
La unidad funciona, pero la sala no está seca	No se asignó un tiempo suficiente para secar. Movimiento de aire deficiente en la sala. Entrada de aire excesivamente húmedo.	Verifique que "Humidistat" esté apagado. Asigne más tiempo al secado. Aumente el movimiento de aire con ventiladores. Cierre la sala para reducir el ingreso de aire.
La unidad recoge muy poca agua	El aire de la sala es seco. La temperatura de la sala es demasiado baja. El filtro está lleno. Las bobinas están obstruidas.	Verifique que "Humidistat" esté apagado. Confirme el nivel de humedad con un higrómetro. Aumente la temperatura de la sala. Examine el filtro. Reemplácelo de ser necesario. Examine las bobinas. Límpielas de ser necesario.
<p><i>Si el problema que experimenta no figura en esta lista, llame a su distribuidor local o comuníquese con nuestro Servicio de Atención al Cliente al 800-932-3030 para obtener asistencia.</i></p>		

### ESPECIFICACIONES

Modelo	LGR 7000XLi (F412)
Eliminación de agua según AHAM (80 °F [27 °C]/60% de humedad relativa)	130 pt   61,5 L por día
Eliminación de agua según grano bajo (80 °F [27 °C]/20% de humedad relativa)	17 pt   8 L por día
Cantidad máxima de aire procesado	325 cfm* salida canalizable al nivel del piso
Dimensiones (altura x profundidad x ancho)	33,5 x 20 x 20 in   85 x 51 x 51 cm
Peso	107 lb   49 kg
Potencia	115 V
Amperes	8,3 A
Freq.	60 Hz
Nivel de ruido promedio	62 dB
Filtro de aire	4-PRO F581 (paquete de 24)
Manguera de drenaje	40 ft   12,2 m
Cable de alimentación	25 ft   7,6 m
Construcción	Carcasa rotomoldeada.
Seguridad	Certificación de ETL conforme a las normas CSA 22.2 n.º 92
<p>Las especificaciones están sujetas a cambios sin previo aviso. Algunos valores pueden ser aproximados. *La velocidad del ventilador varía automáticamente para optimizar el desempeño.</p>	

La información sobre la garantía está disponible en [LegendBrandsRestoration.com](http://LegendBrandsRestoration.com).

No olvide visitar [Warranty.LegendBrandsRestoration.com](http://Warranty.LegendBrandsRestoration.com) y registrar su compra. Su registro nos ayudará a brindarle información actualizada del producto según sea necesario.

Para una correcta eliminación, esta unidad debe llevarse a una empresa de reciclaje autorizada para procesar equipos de refrigeración.



**ADVERTENCIA:** Este producto puede exponerlo a sustancias químicas entre las que se incluyen plomo y ftalatos, los cuales son considerados en el estado de California como causantes de cáncer, defectos congénitos u otros daños durante la gestación. Para obtener más información, visite [P65Warnings.ca.gov](http://P65Warnings.ca.gov)

## Guide d'utilisation

# Déshumidificateur portable LGR 7000XLi

Modèle F412-115V

LEGEND BRANDS, INC.

15180 Josh Wilson Road, Burlington, WA 98233 – États-Unis

Téléphone : 800-932-3030 Télécopie : 360-757-7950 [LegendBrandsRestoration.com](http://LegendBrandsRestoration.com)

Le déshumidificateur LGR 7000XLi de Legend Brands® réduit l'humidité dans les environnements structuraux fermés en éliminant la vapeur d'eau de l'air. Le 7000XLi est robuste, durable et facilement transportable; cet appareil est idéal pour la réfection (dégâts causés par l'eau), le séchage des structures, la construction et autres utilisations exigeant une déshumidification temporaire à très haut débit.

Brevets : <http://www.LBpatents.com>

## CONSERVER CES INSTRUCTIONS

### **WARNING**



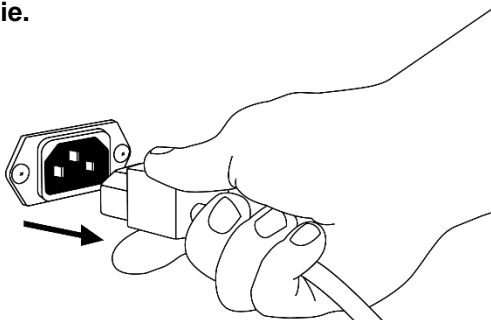
#### INSTRUCTIONS DE SÉCURITÉ IMPORTANTES

**AVERTISSEMENT!** Ne pas modifier le Unit d'aucune façon. Utiliser seulement des pièces de rechange autorisées par Legend Brands. Toute modification

### COMMENT BIEN ENLEVER LE CORDON ÉLECTRIQUE

*Saisir la prise IEC et tirer en la tenant droite*

**IMPORTANT :** Les dommages occasionnés au récipient ou au déshumidificateur IEC en raison d'un retrait incorrect du cordon électrique ne sont pas couverts par la garantie. Le cordon électrique IEC étant une pièce d'usure, il n'est pas couvert par la garantie.



ou l'utilisation de pièces non approuvées peut constituer un danger et annulera votre garantie. Contactez votre distributeur autorisé Legend Brands pour obtenir de l'aide.

**AVERTISSEMENT!** Danger de décharge électrique, ventilateur tournant et surfaces très chaudes. Débrancher l'appareil avant d'ouvrir le couvercle pour le nettoyage ou l'entretien. L'appareil doit être mis à la terre.

- Vérifier l'état du cordon d'alimentation avant utilisation. Ne pas l'utiliser si le cordon est endommagé. Pour débrancher, toujours saisir la prise (et non le cordon).
- Enfoncer les trois fiches de la prise du cordon dans une prise de courant mise à la terre. Ne pas utiliser d'adaptateur. Ne jamais sectionner la troisième fiche. Ne pas utiliser de rallonge.
- L'appareil doit fonctionner sur un circuit de 115V/60 Hz protégé par un disjoncteur de fuite à la terre.
- Ne pas mettre l'appareil en marche lorsque de l'eau stagne en surface. Le moteur et le câblage doivent rester secs.

#### INTRODUCTION

La capacité d'élimination de l'eau des déshumidificateurs réfrigérants à faible grain (LGR : Low Grain Refrigerant), tels le LGR 145, est supérieure, car ils sont équipés d'un circuit de pré-refroidissement. En effet, les appareils LGR continuent à éliminer l'humidité dans des milieux plus secs, alors que les réfrigérants classiques en sont incapables.

## IDENTIFICATION DES PIÈCES

FIG. A : AVANT

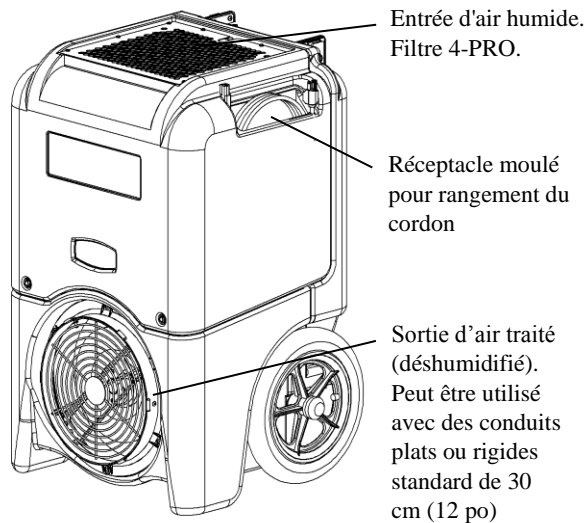


FIG. B : ARRIÈRE

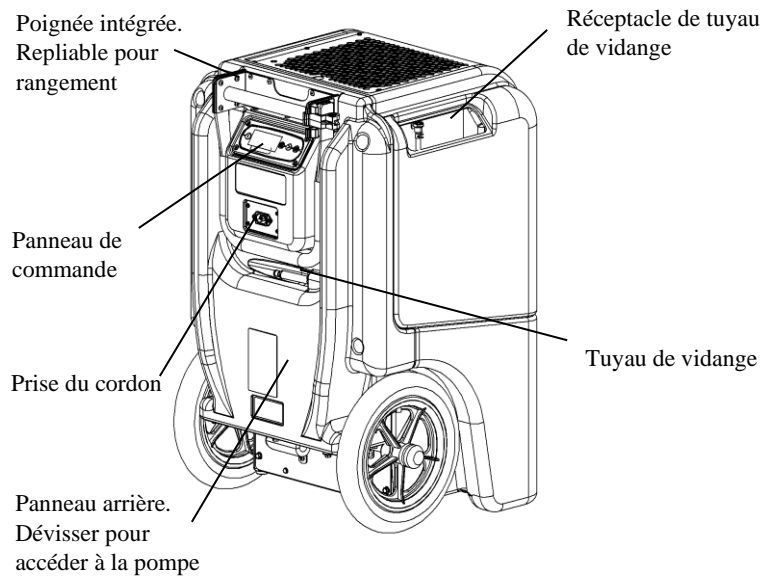
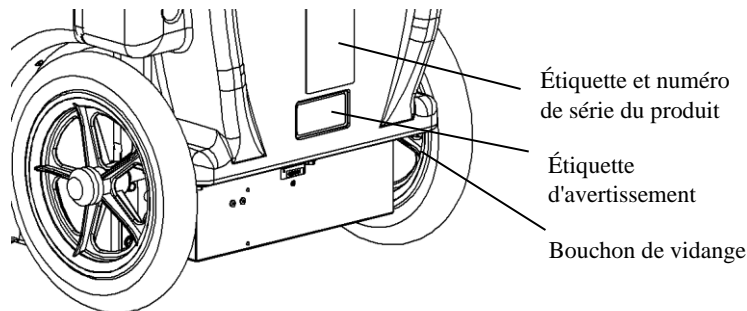


FIG. C : Étiquette d'avertissement, étiquette de série et bouchon de vidange



## UTILISATION DE VOTRE DÉSHUMIDIFICATEUR

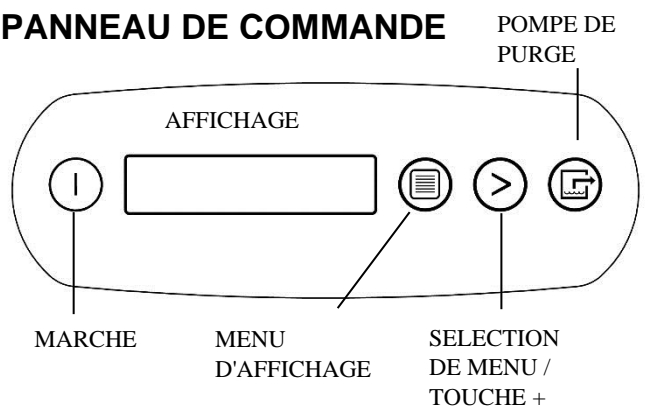
### Positionnez l'appareil à la verticale

**AVIS :** Transporter ou entreposer l'appareil à l'horizontale (couché) est déconseillé. En effet, lorsque l'on couche l'appareil, l'huile en provenance du compresseur peut s'écouler dans les serpentins et nuire au fonctionnement du déshumidificateur; l'appareil risque en outre d'être endommagé. Si vous avez couché l'appareil, redressez-le et attendez au moins 30 minutes avant de le mettre en marche.

### Placement du déshumidificateur

Pour une efficacité optimale, faites fonctionner vos déshumidificateurs dans une pièce close. Fermez les portes et les fenêtres qui s'ouvrent vers l'extérieur, afin d'optimiser l'élimination de l'eau. Placez votre déshumidificateur loin de toute obstruction, et loin de tout objet qui pourrait bloquer la circulation de l'air entrant ou sortant de l'appareil. Pour un complément d'information sur l'agencement d'un milieu de séchage optimal, appelez  **votre distributeur local Legend Brands.**

## PANNEAU DE COMMANDE



MARCHE-ARRET	Appuyez et relâchez pour mettre en marche et éteindre l'appareil.
MENU D'AFFICHAGE	Appuyez pour passer à l'article de menu suivant. Le nouvel article de menu sera alors affiché.
SÉLECTION DE MENU / TOUCHE +	Appuyez pour changer ou pour sélectionner les valeurs dans le menu affiché.
POMPE DE PURGE	Appuyez et relâchez pour commencer une vidange. L'écran affiche un compte à rebours (secondes) jusqu'à la fin de la vidange.

### Poignée d'extension

Relâchez la poignée en tournant la manette rouge vers l'extérieur, puis positionnez la poignée vers le haut. Tournez la manette rouge de nouveau pour la bloquer en positionnement de fonctionnement.

**NOTICE** : N'utilisez pas la poignée d'extension pour soulever l'appareil du sol, de manière horizontale. N'utilisez pas la poignée d'extension comme dispositif de fixation pour attacher l'unité dans un véhicule pour le transport. Une telle utilisation exerce une pression excessive sur les points d'attache de la poignée dans le logement.

### Placement du tuyau de vidange

La pompe à condensats du Unit est raccordée à un tuyau de vidange en plastique (fourni), logé dans le réceptacle latéral de l'appareil. Ce tuyau est doté d'un raccord à branchement rapide. Déroulez le tuyau, puis faites-le déboucher dans un évier, un avaloir de sol, un seau, ou à l'extérieur – là où l'eau peut s'écouler sans danger. Si vous utilisez un seau ou autre récipient pour recueillir l'eau, vérifiez-le souvent pour éviter tout débordement.

**AVIS** : Déroulez et redressez le tuyau de vidange sur toute sa longueur. Ne laissez aucune partie du tuyau enroulé sur l'appareil; l'extrémité du tuyau ne doit pas être à plus de 6 m (20 pi) au-dessus de la partie inférieure de l'appareil. Regardez également si le tuyau n'est pas plié et n'a aucune obstruction pouvant bloquer la circulation de l'eau. Le tuyau risquerait alors de refouler, causant une fuite.

## Branchement du cordon d'alimentation

Le déshumidificateur Unit doit être branché sur une prise de 120 V, protégée par un disjoncteur de fuite à la terre, avec une intensité nominale de 15 ampères. Retirez le cordon de son réceptacle de rangement et déroulez-le. Commencez toujours par brancher le cordon fermement sur la prise de l'appareil, puis branchez l'autre extrémité sur une prise de courant appropriée.

## Mise sous tension de l'appareil

Le panneau de commande du déshumidificateur Unit présente un afficheur et quatre touches de commande. Appuyez sur la touche MARCHE-ARRET pour mettre l'appareil en marche.

### Affichage au démarrage et mode d'affichage normal

Le panneau de commande contient un écran d'affichage et un pavé tactile de quatre touches. Appuyez sur le bouton MARCHE-ARRET pour mettre l'unité en marche. L'unité va maintenant effectuer un compte à rebours (d'une durée d'au plus 60 secondes) et un processus d'auto-diagnostic, puis passera en **mode d'affichage normal**.

XXXX HRS TRAVAIL  
ENTREE XXX°C

La **première ligne** de l'affichage indique le nombre total d'heures pendant lesquelles l'appareil est en fonctionnement. Vous pouvez remettre cette valeur à zéro en vue de calculer le nombre d'heures de travail (cf. section « Réinitialisation des heures en marche » ci-dessous). La **seconde ligne** de l'affichage alterne entre la température d'entrée et l'humidité d'entrée.

### Menu de paramètres utilisateur

L'utilisateur peut modifier un certain nombre de paramètres. L'information système est également disponible. Pour afficher ces articles, appuyez sur la touche MENU D'AFFICHAGE. Chaque pression sur la touche affiche le paramètre suivant. Lorsque le paramètre que vous souhaitez définir s'affiche, appuyez sur la touche SÉLECTION DE MENU pour augmenter la valeur. Appuyez de nouveau sur la touche MENU D'AFFICHAGE pour valider le paramètre et relancer le défilement de l'affichage. Si aucune touche n'est enfoncée pendant 20 secondes, l'affichage revient automatiquement au mode d'affichage normal.

Veillez noter que seuls les articles du menu suivis d'un symbole « plus grand que ( > ) » peuvent être réglés. « Paramètres de l'utilisateur » traite en détail des réglages et des modes.

### Messages d'erreur

L'appareil affiche un message d'erreur lorsque les diagnostics embarqués du Unit détectent une anomalie. « Messages d'erreur » explique en détail chacun de ces messages.



## Utilisation du panneau de commande

**Marche-Arrêt** Appuyez sur la touche pour mettre en marche ou éteindre l'appareil. Lorsque vous allumez l'appareil, l'écran affiche normalement PATIENTER - TEMPORISATION, tandis qu'il exécute un compte à rebours (60 secondes maximum). Ce retard permet d'équilibrer la pression du frigorigène et facilite ainsi le démarrage. À la fin de la temporisation, l'écran affiche XX H EN MARCHÉ et alterne entre ENTRÉE XX °C et ENTRÉE XX %. REMARQUE : La temporisation est inutile lorsque aucun compte à rebours n'est affiché : l'appareil commence alors à fonctionner immédiatement.

**MENU D'AFFICHAGE.** Appuyez sur cette touche pour faire défiler d'autres conditions du déshumidificateur et les paramètres utilisateur. Appuyez une fois sur la touche Marche-Arrêt pour revenir au menu principal.

**SÉLECTION DE MENU.** Appuyez sur cette touche pour changer les valeurs des « paramètres utilisateur ». La touche SÉLECTION DE MENU sert de touche [+] pour le réglage du point de consigne du mode Hygrostat. Reportez-vous à la section Menu de paramètres utilisateur (ci-dessous) pour de plus amples détails.

**PURGE.** Appuyez sur cette touche pour vidanger l'eau du réservoir de la pompe à condensats. L'écran affichera PURGE DE LA POMPE et un compte à rebours. REMARQUE : Le réservoir est vidé automatiquement toutes les six minutes ou chaque fois qu'il est plein (fonctionnement normal).

## Paramètres de l'utilisateur

Seuls les éléments du menu suivis du symbole « supérieur à » (>) peuvent être réglés. Si aucune touche n'est sélectionnée pendant 5 minutes pour les écrans : ENTRÉE-SORTIE, GRAIN DPR, l'affichage reviendra au mode d'affichage normal. Pour tous les autres éléments du menu, l'affichage reviendra au mode d'affichage normal après 20 secondes. Les éléments sans le symbole (>) ne sont là que pour information et ne peuvent pas être modifiés ou réinitialisés.

Appuyer sur **MENU**  
**AFFICHAGE** pour  
passer à l'option  
suivante du menu. ↓

Appuyer sur > **SÉLECTION DE MENUS** pour modifier les paramètres. →

- |                                       |   |   |  |                         |   |                          |   |
|---------------------------------------|---|---|--|-------------------------|---|--------------------------|---|
| 1. RÉINIT. HRS ><br>PANNE COURANT X   | >   | 1. HRS RÉINIT. 0<br>PANNE COURANT 0   |  |                         | <i>Appuyer sur &gt; pour réinitialiser à 0.</i> |                          |   |
| 2. ENTREE SORTIE<br>100' 80% 115' 30% | <i>Pour information seulement.</i>  |   |  |                         |   |                          |   |
| 3. ENTRÉE-SORTIE<br>XX.X g/kg         | <i>L'unité affiche GPP si elle paramétrée en °Fahrenheit ou g/kg si elle est paramétrée en °Celsius. Pour changer ce paramètre, voir l'élément de menu 9.</i> |   |  |                         |   |                          |   |
| 4. FILTRE NETT.<br>XXX HRS >          | >   | 4. FILTRE NETT.<br>0 HRS >  | <i>Appuyer sur &gt; pour effacer les heures du filtre.</i>   |                         |   |                          |   |
| 5. INT NETTOYER<br>XXX HRS >          | >   | 5. INT NETTOYER<br>0 HRS  | <i>Appuyer sur &gt; pour effacer les heures de la bobine.</i>  |                         |   |                          |   |
| 6. MODE<br>HYGROSTAT<br>ETEINT >      | >   | 6. MODE<br>HYGROSTAT<br>EN MARCHÉ >   | <i>Appuyer sur &gt; pour allumer ou éteindre. <b>Pour une déshumidification maximale, vérifiez que HUMIDISTAT est sur OFF.</b></i> |                         |   |                          |   |
| 7. REGLAGE<br>HYGROSTAT XX% >         | >   | <i>Appuyer sur &gt; pour faire défiler de 40% à 90% par incréments de 5% (le défaut est 50%).</i> |  |                         |   |                          |   |
| 8. IDIOMA<br>ESPANOL >                | >   | 8. SPRACHE<br>DEUTSCH >   | >  | 8. LANGUE<br>FRANCAIS > | >   | 8. LANGUAGE<br>ENGLISH > | <i>Appuyer sur &gt; pour<br/>modifier l'option de<br/>langue.</i> |
| 9. TEMPERATURE<br>'C >                | >   | 9. TEMPERATURE<br>'F >  | <i>Appuyer sur &gt; pour passer de °F à °C.</i>  |                         |   |                          |   |
| 10. TEMPERATURE<br>SERPENTIN XX'      | <i>Pour information seulement.</i>  |   |  |                         |   |                          |   |
| 11. COMPRESSEUR<br>AMPERAGE XX.X A    | <i>Pour information seulement.</i>  |   |  |                         |   |                          |   |
| 12. MICROLOGICIEL<br>3.XX FXXX-XXX    | <i>Pour information seulement.</i>  |   |  |                         |   |                          |   |
| 13. HRS TOTALES<br>XXXX HRS           |   |   |  |                         |   |                          |   |

(Retour aux éléments  
du menu principal.)

*La partie suivante n'est disponible que pour les unités équipées sans fil.*

14. ID CAPTEUR XXXXXXXXX >
-------------------------------

(Retour aux éléments  
du menu principal.)

## À LA FIN DE LA TÂCHE

Pour réduire la possibilité d'égouttement lors du transport de l'unité, suivez ces étapes supplémentaires pour s'assurer que toute l'eau est évacuée de l'appareil.

REMARQUE : Pour s'assurer que toute l'eau est évacuée du déshumidificateur, l'appareil termine le cycle de dégivrage même si l'appareil est éteint. Si l'appareil est débranché durant le cycle de dégivrage, un excédent d'eau peut s'accumuler dans l'appareil et goutter lors de son déplacement.

REMARQUE : Pour s'assurer que le réservoir de condensation se vide complètement durant la purge, vérifiez que l'appareil est placé en station debout sur une surface horizontale.

**1. Ne mettez pas l'unité à l'arrêt ou ne la déplacez pas jusqu'à ce qu'elle revienne en mode de fonctionnement normal. Pour confirmer l'état de l'unité, passez en revue le panneau de commande. Le panneau de commande affiche l'un des messages suivants**

*Dégivrage en cours :*

---  
**DEGIVRAGE XXXX**

Mode d'affichage lorsque l'appareil est en mode de dégivrage. XX indique les secondes restantes pour le cycle de dégivrage.

*Séquence d'arrêt*

**ATTENDRE  
LE DEGIVRAGE XXX**

Mode d'affichage lorsque l'unité est en mode de dégivrage et que l'appareil est éteint (éteint par l'utilisateur). L'appareil termine le cycle de dégivrage pour éliminer la glace accumulée puis purger la pompe. XX indique les secondes restantes pour le cycle de dégivrage.

*Séquence de séchage*

**ATTENDRE  
LE SECHAGE XXX**

Mode d'affichage lorsque l'unité n'est pas en mode de dégivrage et est hors tension (éteinte par l'utilisateur). L'unité termine le cycle de séchage de 5 minutes puis le processus de purge de la pompe. XX indique les secondes restantes pour le cycle de séchage.

*Affichage normal :*

**XXXX HRS TRAVAIL  
ENTREE XXX°C**

Attendez que le tableau de commande reprenne son affichage normal avant de continuer.

**2. Basculez légèrement la machine pour s'assurer que l'eau restant sur les surfaces intérieures s'écoule dans le puisard.**

**3. Appuyez sur la touche PURGE. Lorsque le cycle de purge est terminé, éteignez l'unité.**

**4. Retirez le tuyau de vidange externe, videz-le soigneusement, enroulez-le et maintenez-le en place à l'aide d'une des attaches prévues à cet effet sur le côté de l'unité.**

## TRANSPORT ET ENTREPOSAGE

**IMPORTANT : Avant de déplacer, transporter ou ranger l'unité, purgez l'unité et rangez le tuyau et le câble d'alimentation tel qu'il est décrit dans la section ci-dessus « À la fin de la tâche ».**

**NOTICE :** Manipulez l'unité avec précaution. Ne faites pas tomber l'unité ou ne la placez pas dans un endroit d'où elle pourrait tomber. Un traitement sans précautions peut endommager le déshumidificateur et causer un risque de danger ou annuler la garantie.

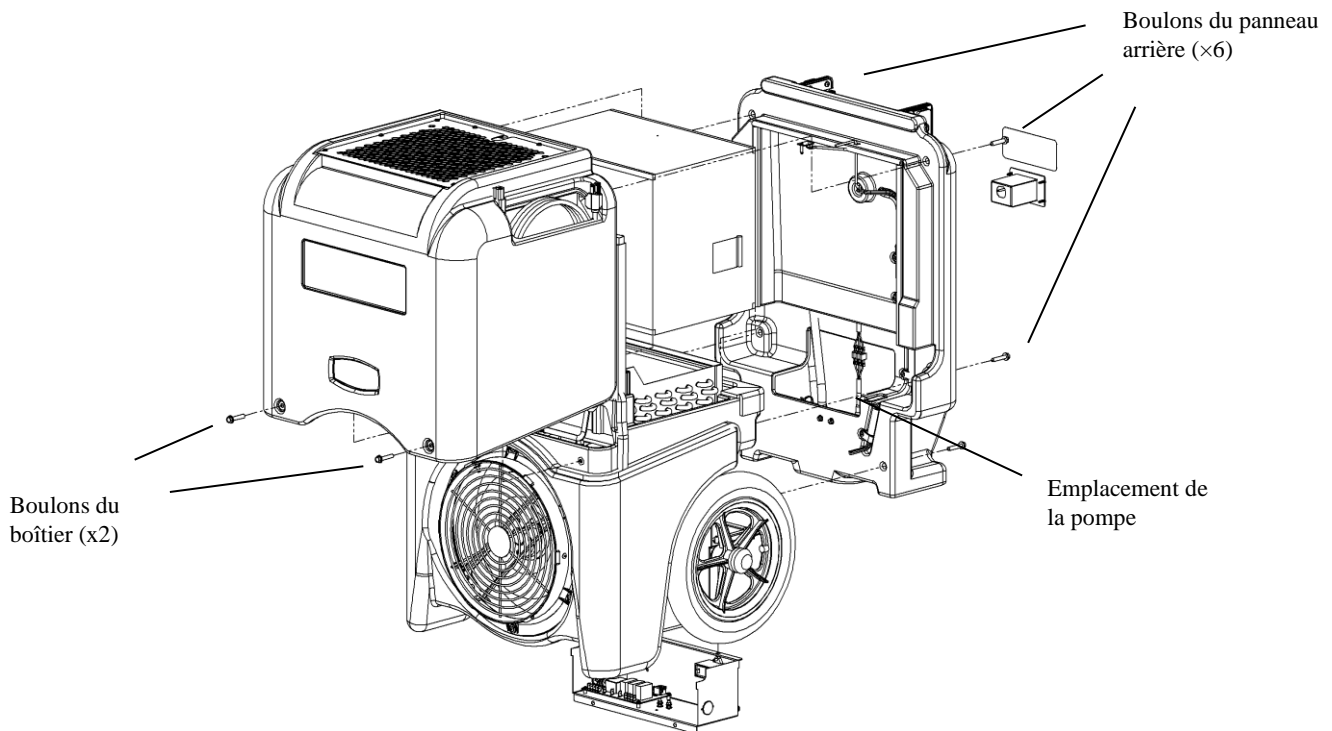
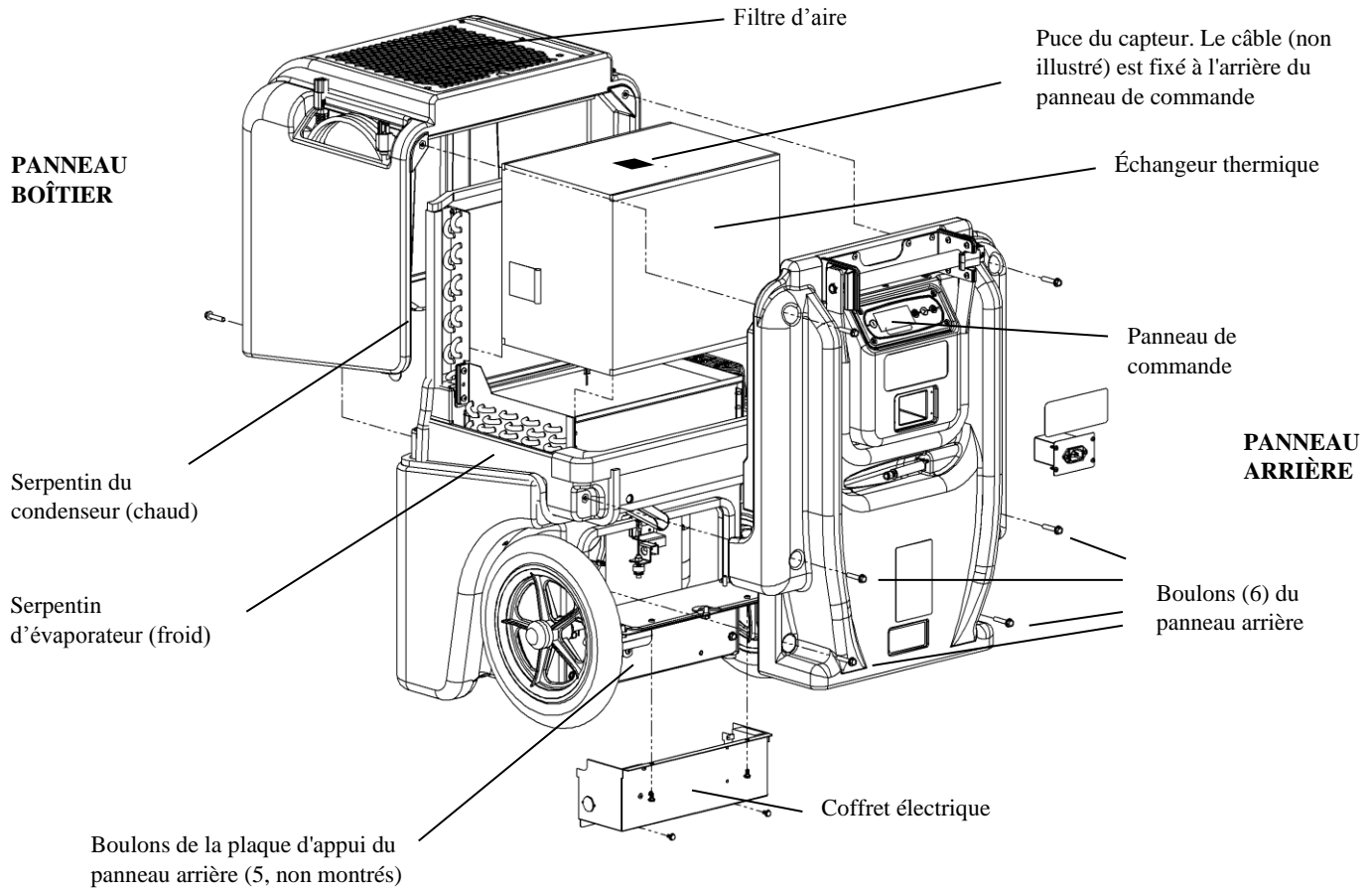
- N'exposez pas le panneau de commande à l'humidité, la neige ou la pluie.
- Entrez et transportez l'unité de manière sûre pour éviter des dommages des pièces internes.
- Sécurisez l'unité durant le transport pour éviter qu'elle ne glisse et cause des blessures aux occupants du véhicule.
- Ne transportez pas ou n'entrez pas l'unité sur sa face avant, sur les côtés ou sur le dos. Ceci permet d'éviter que l'humidité restante ne s'échappe de l'unité ou s'égoutte dans des parties en dehors du puisard.

### **Astuce de déplacement sur un escalier :**

Avant de déplacer l'appareil sur un escalier, suivez ces étapes supplémentaires pour bien évacuer toute l'eau :

1. Éteignez l'appareil à la fin d'un cycle de dégivrage. Remuez doucement l'appareil droit sur ses roues pour faire tomber dans le bac de vidange l'eau présente sur les parois.
2. Appuyez sur la touche PURGE. Éteignez l'appareil au terme du cycle de purge.
3. Enlevez le tuyau de vidange externe, videz-le avec soin, puis remettez-le dans le réceptacle latéral de l'appareil.
- 4. IMPORTANT : Enlevez le cordon d'alimentation, enroulez-le de manière ordonnée et placez-le dans la poche de rangement du cordon.**

# FIG. D : DIAGRAMME DES PIÈCES



## PROGRAMME D'ENTRETIEN

### **AVERTISSEMENT! RISQUE DE CHOC ÉLECTRIQUE.**

Débranchez le déshumidificateur avant d'en faire l'entretien.

**AVERTISSEMENT : Risque d'exposition à la poussière et aux polluants.** Il est conseillé de porter un masque respiratoire et des gants. Si l'appareil a été exposé à des polluants potentiellement dangereux, nettoyez à fond et désinfectez avant de les porter à nouveau.

**AVIS :** L'appareil abrite des capteurs électroniques de précision. Veillez à protéger contre tout dommage ces capteurs et leurs fils; ne les exposez pas à l'eau ni à une solution de nettoyage.

### **Les outils et les articles suivants sont obligatoires pour faire l'entretien traité dans ce guide :**

- Tournevis Philips et tournevis à lame plate
- Pince à becs pointus
- Clé 14 mm (9/16 po)
- Chasse-écrou ou douille 95 mm (3/8 po)
- Douille 8 mm (5/16 po) (pour déposer la pompe)
- Rallonge de douille 15,2 cm (6 po)
- Clé à rochet
- Chiffons
- Aspirateur à filtre HEPA avec suceur à brosse douce et suceur plat

### **Recommandé**

Perceuse sans fil, canif, pince avec petites mâchoires, solution de nettoyage pour serpentins, solution de nettoyage pour boîtiers rotomoulés

## Avant chaque utilisation

**Regardez si le cordon de secteur est intact.** Aucune altération, coupure, etc. Remplacez le cordon s'il est endommagé.

**Inspecter le filtre.** Remplacez le câble si une accumulation de poussière et de débris est visible.  
**NOTICE :** Remplacez les filtres usés seulement avec un nouveau filtre Legend Brands 4-PRO n° F581 (boîte de 24). Les autres types de filtre n'offrent pas une filtration ou un flux d'air adéquat. Chaque filtre est emballé individuellement pour préserver l'efficacité de la filtration. Retirez l'emballage avant d'installer le filtre dans le déshumidificateur.

## Au besoin

**Nettoyer le clapet de non-retour et la cuvette de pompe.** Si l'appareil affiche le message «ER9 BLOCAGE POMPE/BOYAU », le clapet de non-retour et la cuvette de pompe doivent probablement être nettoyés. Vous devrez alors enlever le panneau arrière. « Vérification et nettoyage de la pompe », vous donne la marche à suivre.

### **Nettoyez les serpentins et l'échangeur thermique.**

Une fois le panneau arrière enlevé, examinez le serpentin d'évaporateur horizontal (froid). En cas d'accumulation excessive de poussière et de débris, essuyez ou nettoyez à l'aspirateur le serpentin. Cf. « Démontage de l'appareil pour nettoyer les serpentins et l'échangeur thermique ».

## MESSAGES DU SYSTÈME

Le panneau de commande affiche les messages suivants selon la performance du système et les conditions environnementales. Une intervention de l'utilisateur, si elle est requise, est indiquée dans la troisième colonne.

MESSAGES DU PANNEAU DE COMMANDE	EXPLICATION	INTERVENTION DE L'UTILISATEUR
INITIALISER	L'unité est mise sous tension.	Aucune
MICROLOGICIEL VERSION XXX	Indique le numéro de version du progiciel du panneau de commande.	Aucune
FXXX-XXX	Numéro de modèle.	Aucune
ETEINT	L'unité est maintenant sous tension et en marche.	Aucune
SVP ATTENDRE COMP DIFFERE XX	Délai de 60 secondes avant l'activation du compresseur. Permet l'équilibrage de la pression du système.	Aucune
XXXX HRS TRAVAIL ENTREE XXX°C / XX%	Première ligne : indique le nombre total d'heures de fonctionnement. Deuxième ligne : Permet de passer de la température d'entrée à RH d'entrée toutes les 2 secondes.	Aucune
HYGROSTAT ENTREE XXX°C / XX%	Première ligne : indique que l'unité est en mode hygrostat Deuxième ligne : Permet de passer de la température d'entrée à RH d'entrée toutes les 2 secondes.	Aucune
BASSE TEMP ENTREE XXX°C / XX%	L'unité s'arrête si la température d'entrée est en dessous de 45°F/7°C. Elle est activée de nouveau lorsque la température d'entrée atteint 50°F/10°C.	Aucune
--- PURGE POMPE XX	La pompe est en train de purger et un compte à rebours est affiché en secondes. Appuyez de nouveau sur la touche si nécessaire.	Aucune
CYCLE HAUTE TEMP XX MIN RESIDUEL	La limite de surcharge de l'unité est atteinte. Le refroidissement est initié.	Aucune
--- DEGIVRAGE XXXX	L'unité est en cours de dégivrage et un compte à rebours est affiché en secondes.	Aucune
ATTENDRE LE DEGIVRAGE XXX	L'unité s'arrête lorsque le serpentín est froid ou est déjà dans un cycle de dégivrage. L'unité termine le cycle ou initie un cycle pour éliminer la glace des serpentíns avant l'entreposage.	Aucune
ATTENDRE LE SECHAGE XXX	S'affiche lorsque l'unité est à l'arrêt et que le serpentín n'est pas gelé. Élimine l'eau des serpentíns avant l'entreposage.	Aucune
VÉRIFIER FILTRE> ETEINT	Ce message apparaît pour indiquer qu'il faut changer le filtre. Demander à changer le filtre.	Changer le filtre. Appuyez sur la touche > pour réinitialiser
NETTOYER INT > ETEINT	Ce message apparaît pour indiquer qu'il faut nettoyer les serpentíns et l'intérieur.	Nettoyer les serpentíns. Appuyez sur la touche > pour réinitialiser

## MESSAGES D'ERREUR

Si le système de contrôle détecte une erreur, il émettra un message d'erreur (« ER »). Si cela se produit, débranchez d'abord l'unité puis rebranchez-la. Généralement, cela réinitialisera les systèmes électroniques et l'unité se mettra à fonctionner normalement. Si le message d'erreur réapparaît, référez-vous aux explications et solutions décrites ci-dessous. Si ces solutions ne règlent pas le problème, contactez votre centre local de services agréé.

MESSAGE DU PANNEAU DE COMMANDE	EXPLICATIONS ET SOLUTIONS
ER4 CONEXION SENSOR DESCONG or ER4 CONEXION SENSOR SALIDA	Le capteur de température est ouvert, manquant ou court-circuité. Vérifier que les capteurs de température sont installés correctement sur le panneau de commande. Si l'erreur persiste, contacter le fournisseur de services.
ER5 CONEXION SENSOR TABLERO	Le capteur de la température/Rh d'entrée est ouvert, manquant ou court-circuité. Vérifier que les capteurs de température/Rh d'entrée sont installés correctement sur le panneau de commande et la flasque d'entrée. Si l'erreur persiste, contacter le fournisseur de services.
ER6 CONTACTAR CENTRO DE SERV	Panne actuelle du capteur. Si l'erreur persiste, contacter le fournisseur de services.
ER7 INVAL AJUSTE	Paramètres des commutateurs DIP incorrects ou incompatibles. Contacter le service client de Legend Brands pour obtenir les bons paramètres des commutateurs DIP.
ER8 BOTON ATORADO	Une touche est bloquée ou a été maintenue appuyée trop longtemps. Contacter le fournisseur de services.
ER9 BOMBA TAPADA BOMBA&MANGUERA	Vérifier la présence d'une obstruction dans le tuyau de vidange. Vérifier la pompe.

# DÉPANNAGE

ERREUR	CAUSE	SOLUTION
De l'eau s'égoutte lorsque l'unité est déplacée.	L'unité a été débranchée avant que la purge ne soit terminée.	Purgez l'unité avant de la déplacer. Voir « À la fin de la tâche ».
L'unité ne fonctionne pas.	L'unité n'est pas sous tension. Il n'y a pas d'alimentation électrique dans la machine.	Mettez l'unité sous tension. Branchez l'unité; vérifiez le branchement du câble d'alimentation sur la prise murale et à la base de l'unité.
L'unité fonctionne, mais la salle n'est pas sèche	Temps de séchage insuffisant. Circulation de l'air insuffisante dans la salle. Infiltration d'air humide excessive.	Vérifiez que l'hygrostat (« Humidistat ») est sur OFF. Laissez sécher plus longtemps. Augmentez la circulation de l'air avec des ventilateurs de refroidissement. Fermez la zone pour réduire l'infiltration.
L'unité ne collecte pas assez d'eau.	L'air de la pièce est sec. La température de la pièce est trop basse. Le filtre est plein. Les serpentins sont bouchés.	Vérifiez que l'hygrostat (« Humidistat ») est sur OFF. Vérifiez le niveau d'humidité avec l'hygromètre. Augmentez la température de la pièce. Vérifiez le filtre. Remplacez si nécessaire. Vérifiez les serpentins. Nettoyez si nécessaire.
<p><i>Si le problème rencontré n'est pas décrit ici, appelez votre distributeur local ou contactez notre Service d'assistance au 800-932-3030 pour une assistance.</i></p>		

## FICHE TECHNIQUE

Modèle	LGR 7000XLi (F412)
AHAM de retrait d'eau (26,6 °C [80 °F]/60 % HR)	130 chopines   61,5 litres / jour
Retrait d'eau Low Grain (26,6 °C [80 °F]/20 % HR)	17 chopines   8 litres / jour
Déplacement de l'air (max)	325 pi <sup>3</sup> /min*. Orifice à conduit au niveau du sol.
Dimensions (H x P x L)	33,5 x 20 x 20 po   85 x 51 x 51 cm
Poids	107 lb   49 kg
Dimensions (H x P x L)	33,5 x 20 x 20 po   85 x 51 x 51 cm
Alimentation	8,3 A,
Volts	115 V
Freq.	60 Hz
Niveau sonore (moyen)	62 dB
Filtre à air	4-PRO F581 (boîte de 24)
Tuyau de vidange	40 pi   12,2 m
Cordon d'alimentation	25 pi   7,6 m
Construction	Coquille rotomoulée.
Sécurité	Homologué ETL pour CSA 22.2 no. 92
<p>Fiche technique sous réserve de modifications sans préavis. Certaines valeurs peuvent être approximatives. *Vitesse variable automatique du ventilateur pour favoriser une efficacité optimale.</p>	

Les données de garantie sont disponibles sur le site [LegendBrandsRestoration.com](http://LegendBrandsRestoration.com).

Pensez à visiter [Warranty.LegendBrandsRestoration.com](http://Warranty.LegendBrandsRestoration.com) et à enregistrer votre achat. Votre enregistrement nous aidera à vous communiquer les dernières nouvelles importantes sur le produit.

Pour une élimination adéquate, cet appareil doit être remis à un centre de recyclage agréé pour traiter l'équipement de réfrigération.



**AVERTISSEMENT :** Ce produit peut vous exposer à des produits chimiques, dont le plomb et les phtalates, reconnus par l'État de la Californie comme étant des substances pouvant causer le cancer, des anomalies congénitales et d'autres troubles de l'appareil reproducteur. Pour de plus amples renseignements, visitez [P65Warnings.ca.gov](http://P65Warnings.ca.gov)





# ELECTRICAL SCHEMATIC

