



Please dispose of packaging for the product in a responsible manner. It is suitable for recycling. Help to protect the environment, take the packaging to the local amenity tip and place into the appropriate recycling bin.



Never dispose of electrical equipment or batteries in with your domestic waste. If your supplier offers a disposal facility please use it or alternatively use a recognised re-cycling agent. This will allow the recycling of raw materials and help protect the environment.

sip
SIP INDUSTRIAL

machinery specialists since 1968

Fireball

Turbofan 2000



09128

FOR HELP OR ADVICE ON THIS PRODUCT PLEASE CONTACT YOUR DISTRIBUTOR,
OR SIP DIRECTLY ON:

TEL: 01509500400

EMAIL: sales@sip-group.com or technical@sip-group.com

www.sip-group.com

Please read and fully understand the instructions in this manual before operation. Keep this manual safe for future reference.

DECLARATION OF CONFORMITY

Declaration of Conformity

We

SIP (Industrial Products) Ltd
Gelders Hall Road
Shepshed
Loughborough
Leicestershire
LE12 9NH
England

As the manufacturer's authorised representative within the EC
declare that the


Fireball Turbofan 2000 - SIP Part No. 09128

Conforms to the requirements of the following directive(s), as indicated.

2014/35/EU	Low Voltage Directive
2014/30/EU	EMC Directive
2011/65/EU	RoHS Directive

And the relevant harmonised standard(s), including:

EN 60335-1:2012+A11
EN 60335-2-30:2009+A11
EN 62233:2008
EN 55014-1:2006+A1+A2
EN 55014-2:1997+A1+A2
EN 61000-3-3:2013
EN 61000-3-2:2014

Signed: 

Mr P. Ippaso - Director - SIP (Industrial Products) Ltd
Date: 13/06/2016.



<i>Page No.</i>	<i>Description</i>
4.	Safety Symbols Used Throughout This Manual
4.	Safety Instructions
7.	Electrical Connection
8.	Guarantee
9.	Technical Specifications
10.	Getting to Know Your Heater
11.	Operating Instructions
12.	Maintenance
13.	Troubleshooting
14.	Wiring Diagram
15.	Exploded Drawing
16.	Parts List
19.	Declaration of Conformity

SAFETY SYMBOLS USED THROUGHOUT THIS MANUAL



Danger / Caution: Indicates risk of personal injury and/or the possibility of damage.



Warning: Risk of electrical injury or damage!



Note: Supplementary information.

SAFETY INSTRUCTIONS



IMPORTANT: Please read the following instructions carefully, *failure to do so could lead to serious personal injury and / or damage to the heater.*

When using your heater, basic safety precautions should always be followed to reduce the risk of fire, electric shock, personal injury and / or damage to the heater. Read all these instructions before operating the heater and save this user manual for future reference.

SIP recommends that this heater should *not* be modified or used for any application other than that for which it was designed. If you are unsure of its relative applications do not hesitate to contact us and we will be more than happy to advise you.

KNOW YOUR HEATER: Read and understand the owner's manual and labels affixed to the heater. Learn its applications and limitations, as well as the potential hazards specific to it.

DO NOT USE THE HEATER IN DANGEROUS ENVIRONMENTS: Do not use your heater in damp or wet locations, including bathrooms or similar or expose it to rain. Always provide adequate space around the heater.

DO NOT OPERATE THE HEATER IN EXPLOSIVE ATMOSPHERES: Do not use the heater in the presence of flammable liquids, gases, dust or other combustible sources.

KEEP CHILDREN AND UNTRAINED PERSONNEL AWAY FROM THE WORK AREA: All visitors should be kept at a safe distance from the work area.

STORE THE HEATER SAFELY WHEN IT IS NOT IN USE: The heater should be stored in a dry, locked cupboard, or similar when not in use wherever possible and out of the reach of children.

STAY ALERT: Always watch what you are doing and use common sense.

NOTES

PARTS LIST

Ref No.	Description	SIP Part No.
1.	Outlet Grill	PW09-00025
2.	Fixed Ring	PW09-00026
3.	PTC Heating Element	PW09-00027
4.	Air Flue	PW09-00028
5.	Fan Motor	PW09-00029
6.	Fan	PW09-00030
7.	Outer Casing	PW09-00031
8.	On/Off Switch	PW09-00032
9.	Thermostat	PW09-00033
10.	Switch Knob	PW09-00034
11.	Thermostat Knob	PW09-00035
12.	Power Indication Light	PW09-00036
13.	Control Box Cover	PW09-00037
14.	Control Box	PW09-00038
15.	Mains Lead	PW09-00039
16.	Rear Grill	PW09-00040
17.	Thumb Screw	PW09-00041
18.	Spacer	PW09-00042
19.	Stand	PW09-00043
20.	Foot	PW09-00044
21.	Safety Thermostat	PW09-00045

SAFETY INSTRUCTIONS...cont

DISCONNECT THE HEATER FROM THE MAINS SUPPLY: When not in use.

AVOID UNINTENTIONAL STARTING: Make sure the switch is in the **OFF** position before connecting the heater to the mains supply.

DO NOT ABUSE THE MAINS LEAD: Never carry the heater by the mains lead or pull it to remove the plug from the mains socket. Keep the mains lead away from heat, oil and sharp edges. If the mains lead is damaged, it must be replaced by the manufacturer or its service agent or a similarly qualified person in order to avoid unwanted hazards.

HAVE YOUR HEATER REPAIRED BY A QUALIFIED PERSON: The heater is in accordance with the relevant safety requirements. Repairs should only be carried out by qualified persons using original spare parts, otherwise this may result in considerable danger to the user.

- **DANGER!** Check that the heater is in sound condition and good working order. Take immediate action to repair or replace damaged parts.
- Use recommended parts only - Unapproved parts may be dangerous and will invalidate the warranty.
- **WARNING!** Do not direct the front of the heater towards any combustible materials (e.g. wooden items, cloth, plastics, paper, etc).
- Only operate on a level and stable surface.
- **WARNING!** Do not use the heater near flammable material, liquids, solids, gases or compressed gas cylinders.
- Do not allow untrained persons to operate the heater and do not operate the heater without all covers etc. correctly fitted.
- Do not move or handle the heater when it is running or still hot - always turn it off and allow it to cool.
- Do not leave the heater unattended when in use. Switch the heater off and unplug from the mains supply before leaving the work area.
- Do not obstruct the air inlet (rear) and air outlet (front) of the heater.
- Do not use any form of ducting in front or at the rear of the heater.
- Do not allow children or animals near the heater, particularly when in use, or while still hot.
- **WARNING! RISK OF ELECTRIC SHOCK.** Do not expose the heater to water spray, rain, dripping water or moisture of any kind.
- Do not touch the heater outlet or any internal parts when first switched off as these can be hot and will take time to cool.
- Ensure that the heater is correctly turned off when not in use and store in a safe, dry area, out of reach of children.
- Do not unplug the heater to switch it off - always use the on/off switch.
- **NEVER** use this heater where flammable vapours may be present.
- Keep all combustible materials away from this heater.
- When using the heater for the first time, you may notice a slight emission of smoke, or a slight burning smell. This is normal and will stop after a short time. The heating ele-

SAFETY INSTRUCTIONS....cont

ment is made of stainless steel and was coated with protection oil during production. The smoke / smell is caused by any small residue of this oil which was left on the element.

- **NEVER** cover the heater.
- **NEVER** move or handle heater while still hot.
- **ALWAYS** locate heater on a stable and level surface.
- **ALWAYS** keep children and animals away from heater.
- Never stand on the heater.
- Never connect any other electrical appliances to the same socket as the heater.
- **DO NOT** dismantle or tamper with the heater, as this may be dangerous and will invalidate the warranty.
- Understand the operating environment; Before each use the operator should assess, understand and where possible reduce the specific risks and dangers associated with the operating environment. Bystanders should also be made aware of any risks associated with the operating environment.

If a problem with the heater is experienced, or if the mains lead or plug become damaged, stop operation and contact your distributor for repair.

- If the heater is used in a place of work all rules and laws etc. relating to the use of portable electrical appliances should be followed.

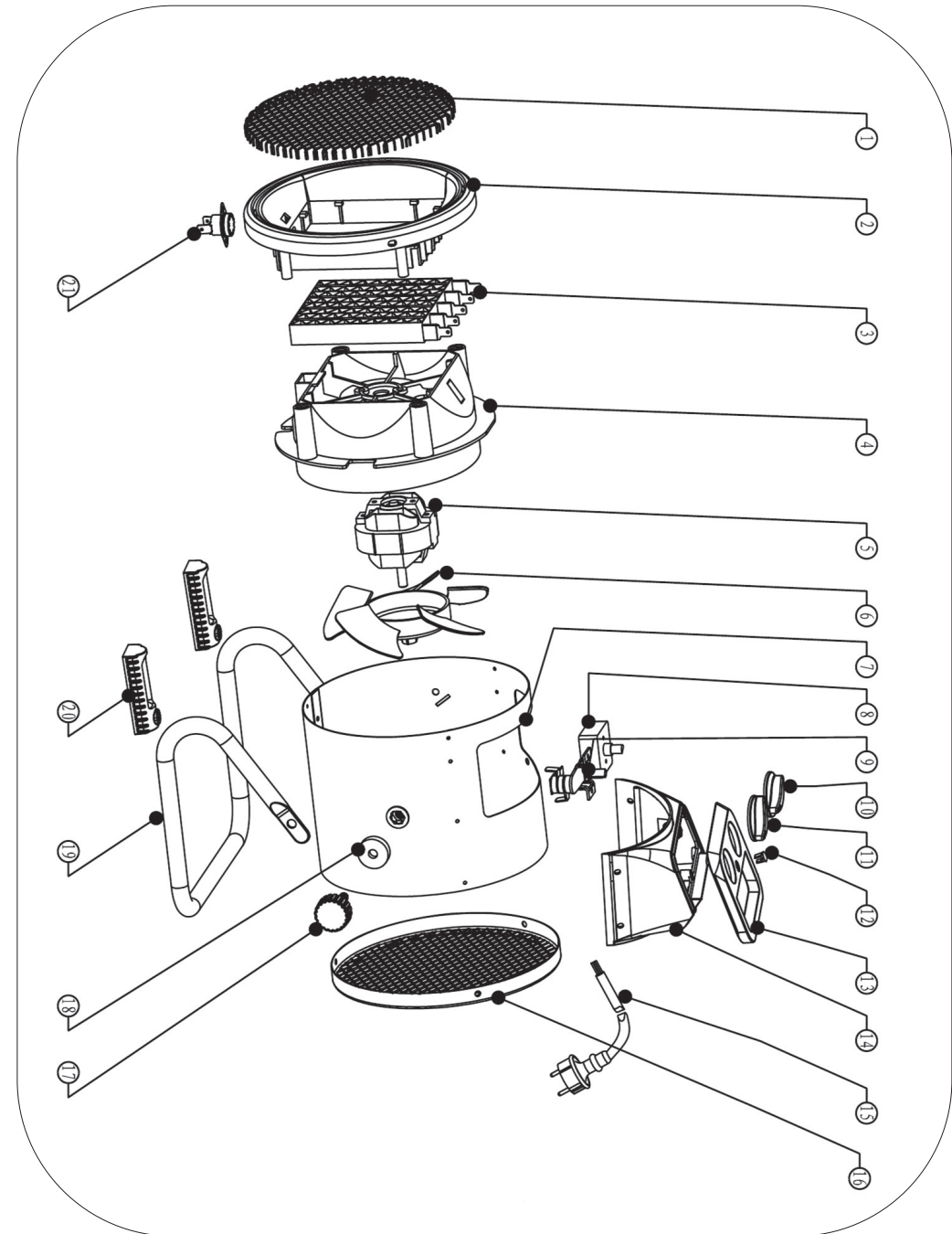
WARNING: Risk of Electric Shock!

- Use only the electrical power (voltage and frequency) specified on the specification label of the heater.
- Use only a three-prong, grounded outlet.
- **ALWAYS** unplug the heater when not in use.

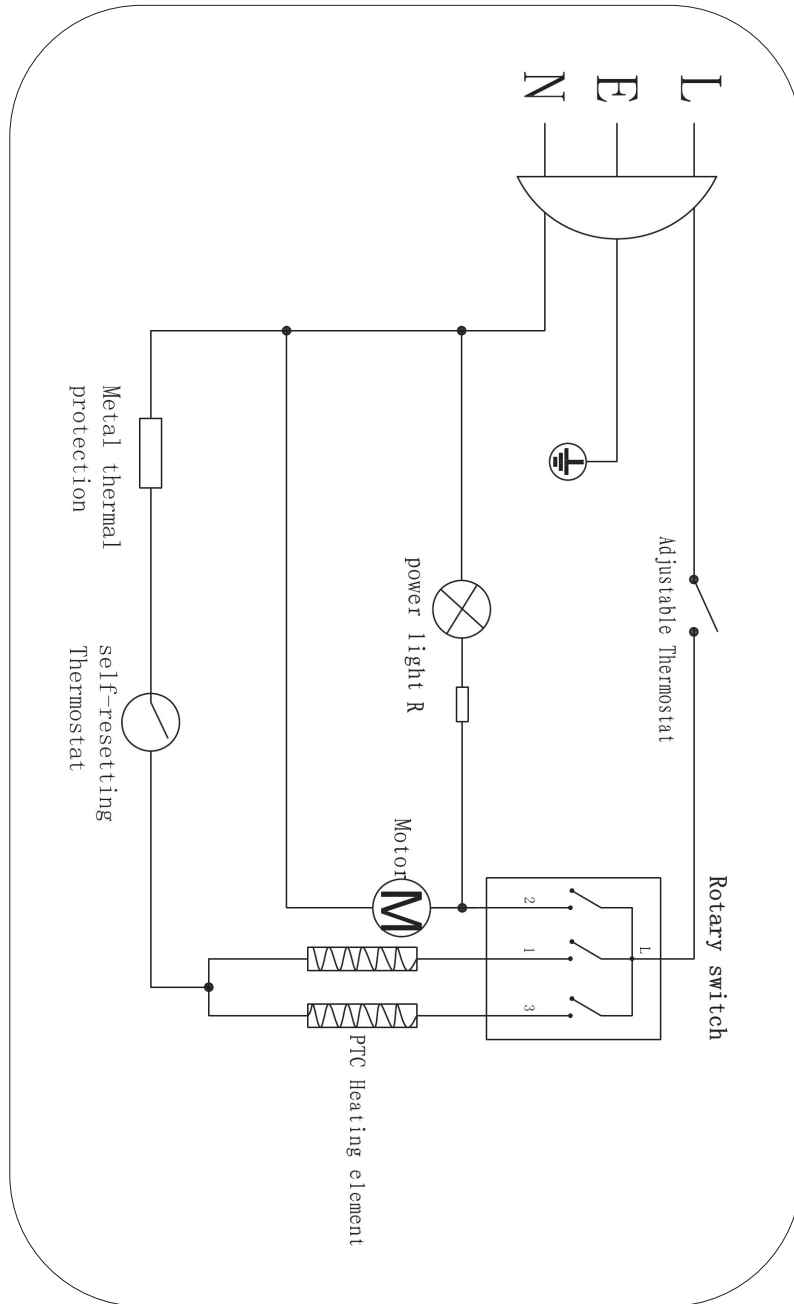


Caution: The warnings and cautions mentioned in this user manual can not cover all possible conditions and situations that may occur. It must be understood by the operator that common sense and caution are factors which cannot be built into this product, but must be applied.

EXPLODED DRAWING



WIRING DIAGRAM



ELECTRICAL CONNECTION

WARNING! It is the responsibility of the owner and the operator to read, understand and comply with the following:

You must check all electrical products, before use, to ensure that they are safe. You must inspect power cables, plugs, sockets and any other connectors for wear or damage.

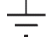
You must ensure that the risk of electric shock is minimised by the installation of appropriate safety devices; A residual current circuit Breaker (RCCB) should be incorporated in the main distribution board. We also recommend that a residual current Device (RCD) is used. It is particularly important to use an RCD with portable products that are plugged into a supply which is not protected by an RCCB. If in any doubt consult a qualified electrician.

Connecting to the power supply:

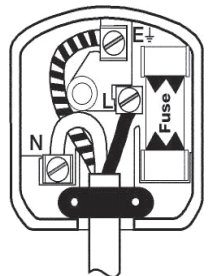
This SIP heater is fitted with a standard 230v ~ 13 amp type plug. Before using the heater, inspect the mains lead and plug to ensure that neither are damaged. If any damage is visible have the heater inspected / repaired by a suitably qualified person. If it is necessary to replace the plug a heavy duty impact resistant plug would be preferable.

The wires for the plug are coloured in the following way:

Yellow / green	Earth
Blue	Neutral
Brown	Live

As the colours of the wires may not correspond with the markings in your plug, proceed as follows: The wire which is coloured blue, must be connected to the terminal marked with N or coloured black. The wire which is coloured brown, must be connected to the terminal, which is marked L or coloured red. The wire which is coloured yellow / green should be connected to the terminal which is coloured the same or marked 

Always secure the wires in the plug terminal carefully and tightly. Secure the cable in the cord grip carefully.



ELECTRICAL CONNECTION...cont



Warning: Never connect live or neutral wires to the earth terminal of the plug. Only fit an approved plug with the correct rated fuse. If in doubt consult a qualified electrician.



Note: Always make sure the mains supply is of the correct voltage and the correct fuse protection is used. In the event of replacing the fuse always replace the fuse with the same value as the original.



Note: If an extension lead is necessary in order to reach the mains supply; The cross section should be checked so that it is of sufficient size so as to reduce the chances of voltage drops. Always fully unwind the lead during use.



Note: If an extension lead is necessary it should be as short as possible. Never connect any other electrical items to the same mains lead, or mains outlet.

GUARANTEE

This SIP heater is covered by a 12 month parts and labour warranty covering failure due to manufacturers defects. This does not cover failure due to misuse or operating the heater outside the scope of this manual - any claims deemed to be outside the scope of the warranty may be subject to charges including, but not limited to parts, labour and carriage costs.

The warranty does not cover consumables such as fuses.

In the unlikely event of warranty claims, contact your distributor as soon as possible.



Note: Proof of purchase will be required before any warranty can be honoured.

TROUBLESHOOTING

<i>Symptom</i>	<i>Possible cause</i>	<i>Corrective Action</i>
<ul style="list-style-type: none"> The heater does not operate, even when it is plugged in and the switch and thermostat are switched on / set. 	<ul style="list-style-type: none"> The plug is loose, bad connection. No power in socket outlet. 	<ul style="list-style-type: none"> Pull out the plug, check the connection of the plug and socket. Then connect again. Insert the plug in a correctly powered socket.
<ul style="list-style-type: none"> The heating element is glowing. 	<ul style="list-style-type: none"> The input voltage is too high or too low. The air inlet grill is blocked. 	<ul style="list-style-type: none"> Insert the plug in a correctly powered socket. Inlet or outlet flow restricted; See minimum clearances on page 9.
<ul style="list-style-type: none"> The heater does not get hot. 	<ul style="list-style-type: none"> The switch is not set to 1 of the 2 heat settings. Safety thermostat has operated. 	<ul style="list-style-type: none"> Check and adjust the switch accordingly. The internal temperature is too high; Check and clear any obstructions. The heater will begin to run normally once the internal temperature has reduced.
<ul style="list-style-type: none"> Heater does not turn on. 	<ul style="list-style-type: none"> Thermostat is set below ambient temperature. Fuse blown. Loose connection in wiring. 	<ul style="list-style-type: none"> Turn the thermostat up above ambient temperature. Check / replace the fuse. Have the heater checked by a competent person.

MAINTENANCE INSTRUCTIONS

Before cleaning or maintenance operations always run the heater for a short while in fan mode to allow it to cool.

Turn the heater off and remove the plug from the mains supply.

- Clean the heater with a soft dry cloth only.
- **DO NOT** use abrasives or solvents.
- Periodically check the heater grill to ensure that it is not blocked.



Note: Dry compressed air could be used to blow away any dust etc. that may build up inside the turbofan 2000.



Caution: Whilst using compressed air, dust and / or other particles may become air borne; carry out the operation in a well ventilated area and use the appropriate eye and ear protection and a dust mask.

No other maintenance is necessary.

DO NOT dismantle or tamper with the heater, as this may be dangerous and will invalidate the warranty.

If a problem with the heater is experienced, or if the mains lead or plug become damaged, contact your distributor for repair.

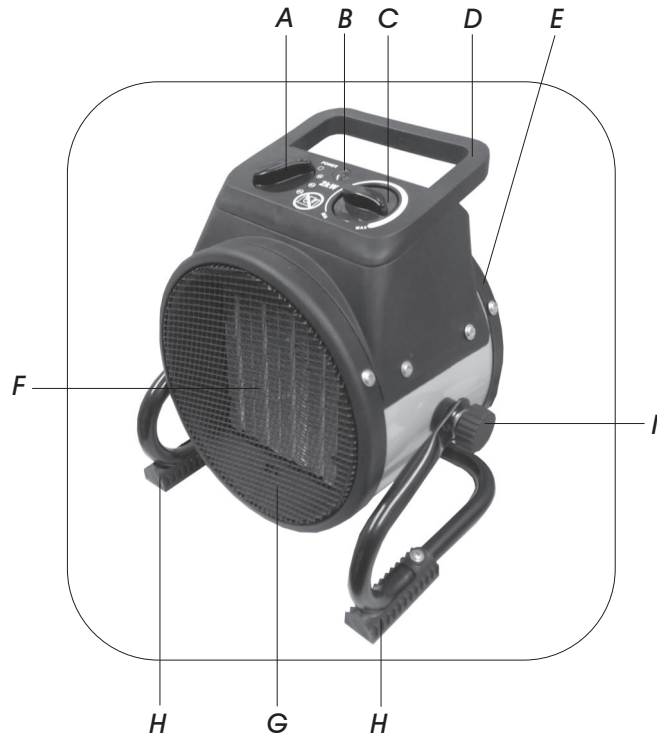
When you store the heater, let it cool down, ensure that it is dry, cover with a plastic bag, put in a packing box and store it in a dry, ventilated place.

TECHNICAL SPECIFICATIONS

<i>Part Number</i>	09128
<i>Input Voltage</i>	230v ~ 50Hz
<i>Power (Max.)</i>	2000 Watts
<i>Fuse Rating</i>	13 Amps
<i>Settings - Fan</i>	25 watts
<i>Settings - Heat 1</i>	1000 watts
<i>Settings - Heat 2</i>	2000 Watts
<i>Protection</i>	IP20
<i>Heater Dimensions</i>	225 x 220 x 160 mm
<i>Net Weight</i>	1.7 Kg

<i>Minimum Clearance Around Heater</i>	Top - 500 mm
	Sides - 500 mm
	Rear - 750 mm
	Front - 1800 mm

GETTING TO KNOW YOUR HEATER



A.	Mode Selection Knob
B.	Power Indication Light
C.	Temperature Selection Knob
D.	Handle
E.	Inlet
F.	Heating Element
G.	Outlet Grill
H.	Feet
I.	Angle Adjust Knob

OPERATING INSTRUCTIONS

- Position the heater so that it stands upright on a firm surface and at a safe distance from wet environments and flammable objects / materials.
- Connect the heaters plug to a correctly rated mains supply.
- Select the desired mode - First setting for just fan with no heat, 2nd setting for half power and third setting for full power.
- Select the desired temperature.

Once the room reaches the required temperature, the heater will stop running and the power light will go off; When the temperature has decreased enough, the heater will resume operation and the power light will illuminate. The Turbofan 2000 heater now starts and stops automatically and thus keeps the room temperature constant.



Note: The thermostat will still function in fan mode, and will need to be set above the ambient temperature; you will hear a click when it is set above / below ambient temperature.

After operation in heat mode; Set to fan mode and run the heater for a short while to allow it to cool before turning it off.

On / Off / Mode selection switch



Temperature selection



Note: The power light will only illuminate when the heater is running; Take care not to leave the heater in automatic (thermostat control) mode thinking that it is turned off.