

Please read these instructions carefully as they will enable you to get maximum efficiency and reliability from your new Calorex Dehumidifier

Technical Manual

DH30(7)/33(7)50(7)/55(7)/60(7) WALL HUNG DEHUMIDIFIERS

(D139460 ISSUE 21)
21/12/11

HEALTH AND SAFETY WARNING

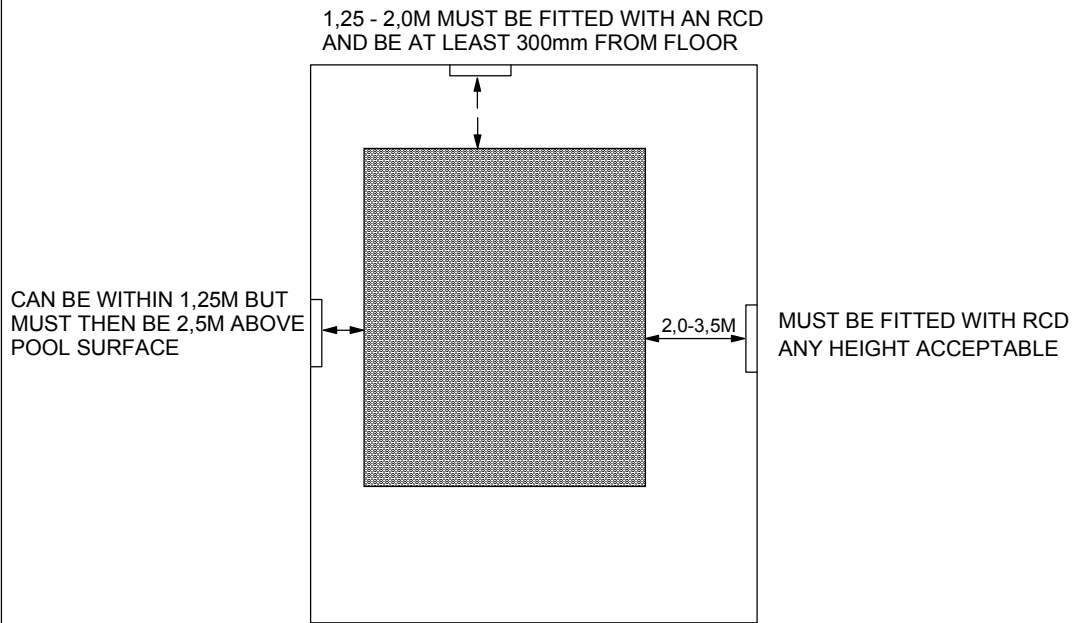
As the dehumidifier embodies electrical and rotational equipment, **ONLY** competent persons should carry out any work on this type of machine. (See Guarantee).

Contents

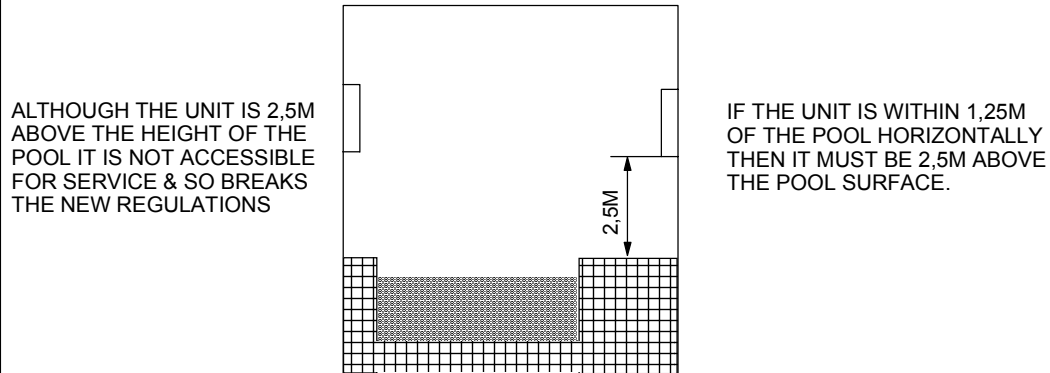
1.0 INSTALLATION DETAILS	2
2.0 DATA SHEET	5
3.0 WIRING DIAGRAMS	7
4.0 PERFORMANCE GRAPHS	14
5.0 DIMENSIONS	17
6.0 SPARE PARTS LISTS	25
7.0 OPTIONAL KITS	70
7.1 LPHW ASSEMBLIES	70
7.2 12V REMOTE HUMIDISTAT KIT	71
7.3 12V REMOTE HUMIDISTAT CONNECTIONS	72
7.4 WEIR KIT	73
7.5 AIR FILTER KITS	74
7.6 FLOOR STAND KITS	76
7.7 REMOVAL AND SERVICING OF DRIPTRAY	77
8.0 WARRANTY CONDITIONS	78

1.0 INSTALLATION DETAILS

LATEST EDITION REGULATIONS AND CALOREX UNITS



- 1) N.B. THE RCD IS AN EARTH LEAKAGE TRIP & ALTHOUGH NOT ALWAYS REQUIRED IT IS RECOMMENDED THAT IT IS USED ON ALL INSTALLATIONS. WHEN FITTED, A 30mA RCD SHOULD BE USED.
- 2) THE ISOLATOR FOR THE DEHUMIDIFIER MUST COMPLY TO THE APPROPRIATE IPX REGULATION



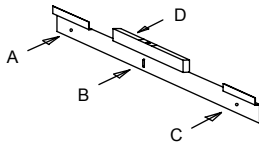


INSTALLATION INSTRUCTIONS
MODELS DH30/33/50/55/60/A/AX/ARH/AP
HEALTH & SAFETY WARNING

As the Heat Pump contains electrical and rotational equipment, it is recommended that ONLY competent persons carry out any work on this type of machine (see guarantee). Isolate electrically before entering machine or removing panels.

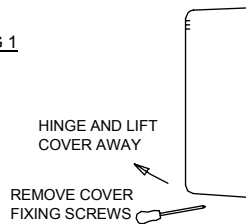
INSTALLATION - WALL MOUNTING ALL MODELS

1. Remove machine from packaging and locate fixing bracket.



2. Locate bracket on wall in required position. Drill hole Ø 6.0mm (no. 10) by 60mm deep as shown at 'A'. Insert wall plug and screw bracket in place.
3. Set bracket level with spirit level 'D' as shown, drill through and fix it at 'B' with wall plug and screw.
4. Ensure bracket still level, tighten screws 'A' and 'B', finally drill and fix as above at position(s) 'C'.
5. Check all screws are tight.
6. Lift dehumidifier on to locating lugs on wall bracket.
7. Remove front cover as shown FIG 1.

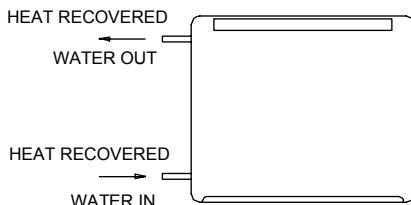
FIG 1



8. Electrical supply to the unit must be sized according to data on serial number label paying special attention to I.E.E. regulations latest edition regarding the special conditions governing electrical supply to machines in potentially damp areas.
9. The electrical supply should be connected to the terminal block mounted on the side of the bracket supporting the compressor or on side panel for CALOTHERM versions Brown/red to 'live', blue/black to neutral and earth to the stud provided.
10. Fan mode switch (if fitted) can be set to cycle fan when humidistat senses demand but should be set to continuous to promote good air circulation and reduce condensation.
 Note that on models fitted with LPHW the fan(s) will start automatically whenever there is an air heating demand.
 On 'X' models fan(s) will stop during defrost cycle.
11. Locate pipe from drip tray and run it away to waste. A short length of 10mm pipe is provided which should be led into a fixed waste pipe. Two pipe outlet holes are provided, one to rear of unit, one below the unit.

'RH' MODEL WITH HEAT RECLAIM TO WATER

12. Connect water circuit piping to 15mm stubs projecting from side of machine as per diagram below:-

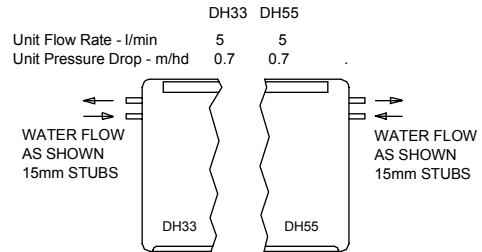


13. It is recommended that isolating valves are fitted to enable isolation of the machine in the event of service.
 Complete water circuit as per diagrams overleaf.
 (a) Circulating pump must be sized to take into account the design flow rate of the machine plus the water system resistance.

	DH30/33 RH	DH50/55/60 RH
Unit Flow Rate - l/min	8/12	12/16
Unit Pressure Drop - m/hd	1.0/2.2	1.0/2.0

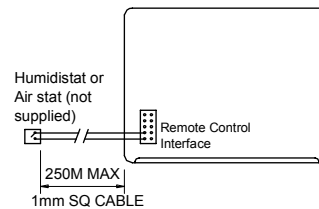
MODELS WITH L.P.H.W. FITTED

14. Connect water circuit piping to 15mm stubs projecting from side of machine as per diagram below:-
15. It is recommended that isolating valves are fitted to enable isolation of the machine in the event of service.
 Complete water circuit as per diagrams overleaf.
 (a) Circulating pump must be sized to take into account the design flow rate of the machine plus the water system resistance.



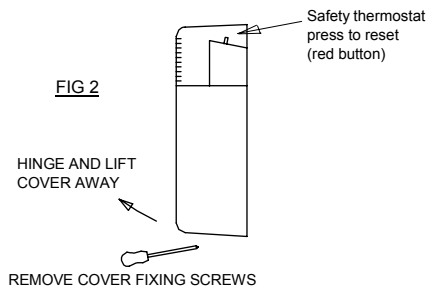
12v REMOTE HUMIDISTAT OR THERMOSTAT CONNECTIONS

16. Remove link wire from mains in terminal block marked 'Remote Control Interface'. Connect remote humidistat as shown below, ensure knob on humidistat in machine is set fully clockwise (ie maximum dehumidification).



'P' MODELS WITH RESISTANCE HEATER

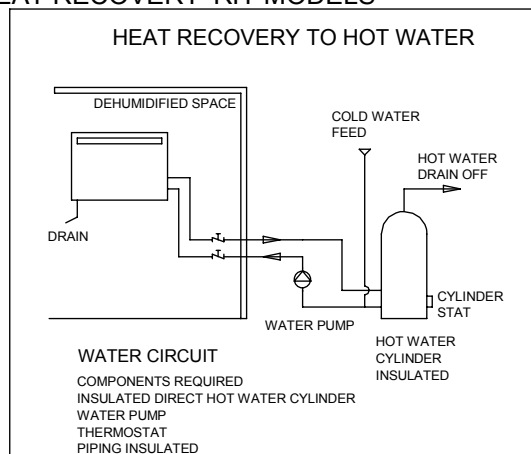
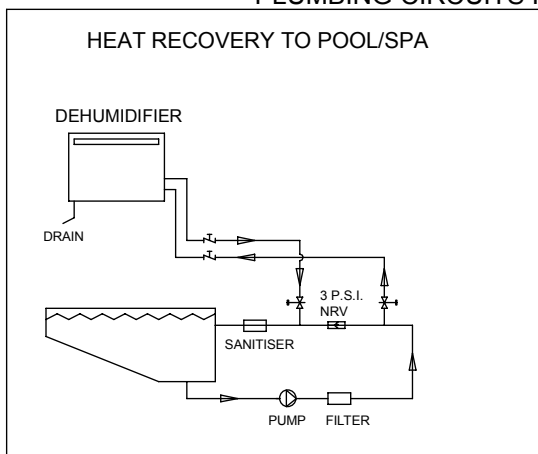
17. Connect remote air thermostat as shown above to mains in terminal block marked 'Remote Control Interface'
18. Ensure safety thermostat(s) below are set, ie push red button(s).



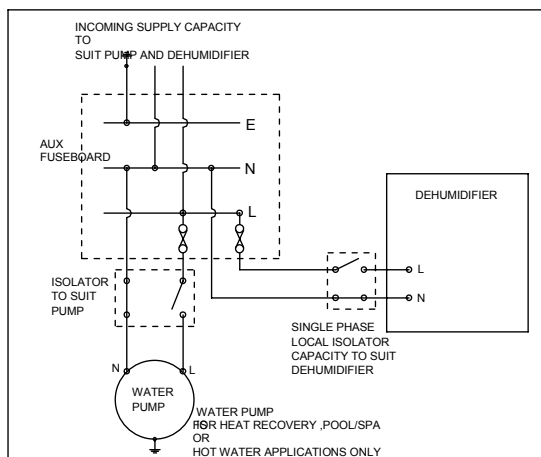
Remove cover to gain access to manual reset thermostat.

19. Replace front cover, turn on electrical supply and turn humidistat towards 'max'. (Unless remote humidistat fitted, see note 16 above) unit fan will start, followed 6 minutes later by the compressor.

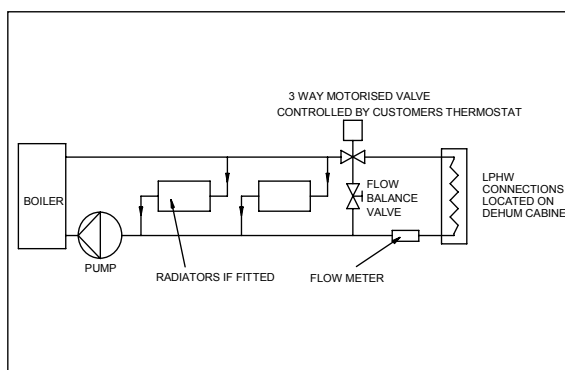
PLUMBING CIRCUITS HEAT RECOVERY 'RH' MODELS



ELECTRICAL SUPPLY CIRCUITS



LPHW PLUMBING SCHEMATIC



USER CHECK LIST

OPERATION

A normal humidistat setting (50-60% RH) is a mid way point on the knob provided.

Minimum Air Temp DH 30/33/50/55/60 A = 15°C

Minimum Air Temp DH 30/33/50/55/60 AX = 0°C

Note :- On 'X' models fan stops during defrost.

On machines with resistance heaters DH30/50/60 'P' heating control is governed by the remote mounted air thermostat, adjust to desired air temp, heater will run automatically as required.

On machines with LPHW, fans will start automatically as required.

MAINTENANCE

a. Ensure air inlet/outlets are kept clear and clean. Filter kits available.

b. Wipe clean with damp cloth or cleaning fluid suitable for fibreglass and/or PVC

Note: The Reply Paid Warranty Registration Card must be returned to ensure the correct warranty is given. If you do not find a Registration Card with your machine please contact CALOREX Service Department giving your name address and serial number of your machine. A card will then be sent to you for completion.

HEALTH & SAFETY WARNING

As the Heat Pump contains electrical and rotational equipment, it is recommended that ONLY competent persons carry out any work on this type of machine (see guarantee)

Isolate machine electrically before entering machine or removing panels.

MACHINE NOT RUNNING AT ALL

CHECK THE FOLLOWING :-

1. Is supply switched on.
2. Is supply fuse healthy
3. Turn humidistat knob fully clockwise.
4. Check air inlet and outlet for obstructions.
5. On 'P' models reset thermostat(s) see Fig 2
6. If, after carrying out the above and waiting 1 hour, the machine does not start phone for service.

MACHINE FAN ONLY RUNNING

7. Turn humidistat knob fully clockwise
8. Check air inlet and outlet for obstructions, if after 30 mins the machine has not restarted phone for service.

WATER LEAKING FROM BASE OF UNIT

9. Check connection from machine to drain for blockages and clear accordingly, Check fall is adequate.
 10. Check that machine is level both vertically and horizontally.
- The user check list should be carried out before initiating a service call. Do not attempt to interfere with any internal control settings as these have been factory calibrated and sealed. If in doubt or if advice is required, contact Calorex Service Dept. Telephone (01621) 857171 or 856611

PLEASE LEAVE INSTRUCTIONS FOR USER

2.0 DATA SHEET

MODEL	DH30(7)A	DH30(7)AX	DH30(7)AP/AXP	DH30(7)ARH	DH50(7)60(7)A	DH50(7)60(7)AX	DH50(7)60(7)AP/AXP	DH50(7)60(7)ARH	*DH60AHP
DEHUMIDIFICATION	L/hr 1.25	1.25	1.25	1.25	2.5	2.5	2.5	2.5	2.1
	L/day 30.0	30.0	30.0	30.0	60.0	60.0	60.0	60.0	50
TOTAL HEAT TO AIR:									
DEHUMIDIFIER ONLY	KW 1.9	1.9	1.9	0.5	3.5	3.5	3.5	0.65	2.2
DEHUM & RESISTANCE HEATER	KW n/a	n/a	2.89	n/a	n/a	n/a	5.55	n/a	6.0
RESISTANCE HEATER ONLY	KW n/a	n/a	2.0	n/a	n/a	n/a	4.0	n/a	4.0
TOTAL HEAT TO WATER	KW n/a	n/a	n/a	1.4	n/a	n/a	n/a	2.8	n/a
NOMINAL POWER CONSUMED:-									
FAN ONLY	KW 0.05	0.05	0.05	0.05	0.11	0.11	0.11	0.11	0.16
DEHUM (COMP & FAN)	KW 0.75	0.75	0.75	0.75	1.2	1.2	1.2	1.2	1.1
DEHUM & HEATER	KW n/a	n/a	2.75	n/a	n/a	n/a	5.2	n/a	5.1
HEATER & FAN	KW n/a	n/a	2.05	n/a	n/a	n/a	4.11	n/a	4.18
SUPPLY	230v50hz	230v50hz	230v50hz	230v50hz	230v50hz	230v50hz	230v50hz	230v50hz	230v50hz
FUSE	AMP 10.0	10.0	20.0	10.0	13.0	13.0	32.0	13.0	33.0
NOMINAL RUNNING AMPS	AMP 3.4	3.4	11.7	3.4	5.6	5.6	22.3	5.6	22.2
FULL LOAD AMPS	AMP 4.4	4.4	12.7	4.4	7.5	7.5	24.2	7.5	23.0
COMPRESSOR L.R.A.	AMP 15.8	15.8	15.8	15.8	30.0	30.0	30.0	30.0	30.0
AIR FLOW	m ³ /h 700	700	700	700	1280	1280	1280	1280	1750
NOISE LEVEL @ 3m	dB/A 52	52	52	52	54	54	54	54	55
WATER FLOW RATE	L/min n/a	n/a	n/a	10	n/a	n/a	n/a	14	n/a
PRESSURE DROP	m hd n/a	n/a	n/a	1.6	n/a	n/a	n/a	1.5	n/a
REFRIGERANT CHARGE	kg R407c 0.5	0.5	0.5	1.04	0.75	0.8	0.75 AP	1.64	R134a
							0.8 AXP		0.8
WEIGHT UNPACKED/PACKED	kg 40/50	40/50	40/50	45/55	60/75	60/75	60/75	65/80	70/78

a) These performance figures are based on air @ 30°C, 60% RH & poolwater @ 28°C and boiler water @ 80°C

*a) These performance figures are based on air @ 36°C, 60% RH

b) Humidistat adjustable from 20% to 80%

c) Minimum air temperature on standard models 15°C and 0°C on defrost 'X' models

d) Maximum operating conditions air temp 35°C and 90% RH

d) Maximum operating conditions for AP versions air temp 32°C and 62% RH

e) IP rating for all units is IP45

f) R407c Global warming potential (GWP)1700

f) R134a Global warming potential (GWP) 1300.

1mm Wg =9.8Pa
1m hd =1.4psi
1L/min=0.22gall/min

2 DATA SHEET CONT

SEE NOTED

MODEL	DH33(7)A	DH33(7)AX	DH33(7)ARH	DH55(7)A	DH55(7)AX	DH55(7)ARH
DEHUMIDIFICATION	L/hr 1.25	L/day 30.0	L/hr 1.25	L/day 30.0	L/hr 2.5	L/day 60.0
TOTAL HEAT TO AIR:						
DEHUMIDIFIER ONLY	kW 1.9	kW 1.9	kW 0.5	kW 3.5	kW 3.5	kW 0.65
DEHUM & LPHW	kW 3.9	kW 3.9	kW 3.4	kW 6.5	kW 6.5	kW 5.4
LPHW ONLY	kW 3.0	kW 3.0	kW 3.0	kW 5.0	kW 5.0	kW 5.0
TOTAL HEAT TO WATER	kW n/a	kW n/a	kW 1.4	kW n/a	kW n/a	kW 2.8
NOMINAL POWER CONSUMED:-						
FAN ONLY	kW 0.05	kW 0.05	kW 0.05	kW 0.11	kW 0.11	kW 0.11
DEHUM (COMP & FAN)	kW 0.75	kW 0.75	kW 0.75	kW 1.2	kW 1.2	kW 1.2
SUPPLY	230v50hz	230v50hz	230v50hz	230v50hz	230v50hz	230v50hz
FUSE	AMP 10.0	AMP 10.0	AMP 10.0	AMP 13.0	AMP 13.0	AMP 13.0
NOMINAL RUNNING AMPS	AMP 3.4	AMP 3.4	AMP 3.4	AMP 5.6	AMP 5.6	AMP 5.6
FULL LOAD AMPS	AMP 4.4	AMP 4.4	AMP 4.4	AMP 7.5	AMP 7.5	AMP 7.5
COMPRESSOR L.R.A.	AMP 15.8	AMP 15.8	AMP 15.8	AMP 30.0	AMP 30.0	AMP 30.0
AIR FLOW	m ³ /h 440	m ³ /h 440	m ³ /h 440	m ³ /h 740	m ³ /h 740	m ³ /h 740
NOISE LEVEL @ 3m	dB/A 48	dB/A 48	dB/A 48	dB/A 48	dB/A 48	dB/A 48
WATER FLOW RATE	L/min n/a	L/min n/a	L/min 10	L/min n/a	L/min n/a	L/min 14
PRESSURE DROP	m hd n/a	m hd n/a	m hd 1.6	m hd n/a	m hd n/a	m hd 1.5
LPHW FLOW RATE	L/min 5.0	L/min 5.0	L/min 5.0	L/min 5.0	L/min 5.0	L/min 5.0
LPHW PRESSURE DROP	m hd 1.1	m hd 1.1	m hd 1.1	m hd 1.8	m hd 1.8	m hd 1.8
LPHW VOLUME	l 0.5	l 0.5	l 0.5	l 0.85	l 0.85	l 0.85
REFRIGERANT CHARGE	kg R407c 0.5	kg R407c 0.5	kg R407c 1.04	kg R407c 0.76	kg R407c 0.8	kg R407c 1.64
WEIGHT UNPACKED/PACKED	kg 40/50	kg 40/50	kg 45/55	kg 60/75	kg 60/75	kg 65/80

a) These performance figures are based on air @ 30°C, 60% RH & poolwater @ 28°C and boiler water @ 80°C

b) Humidistat adjustable from 20% to 80%

c) Minimum air temperature on standard models 15°C and 0°C on defrost 'X' models

d) Reduced LPHW output when DH operating is 1kW less on 33 model and 2KW less on 55 model

e) Maximum operating conditions air temp 35°C and 90% RH

e) Maximum operating conditions for AP versions air temp 32°C and 62% RH

f) IP rating for all units is IP45

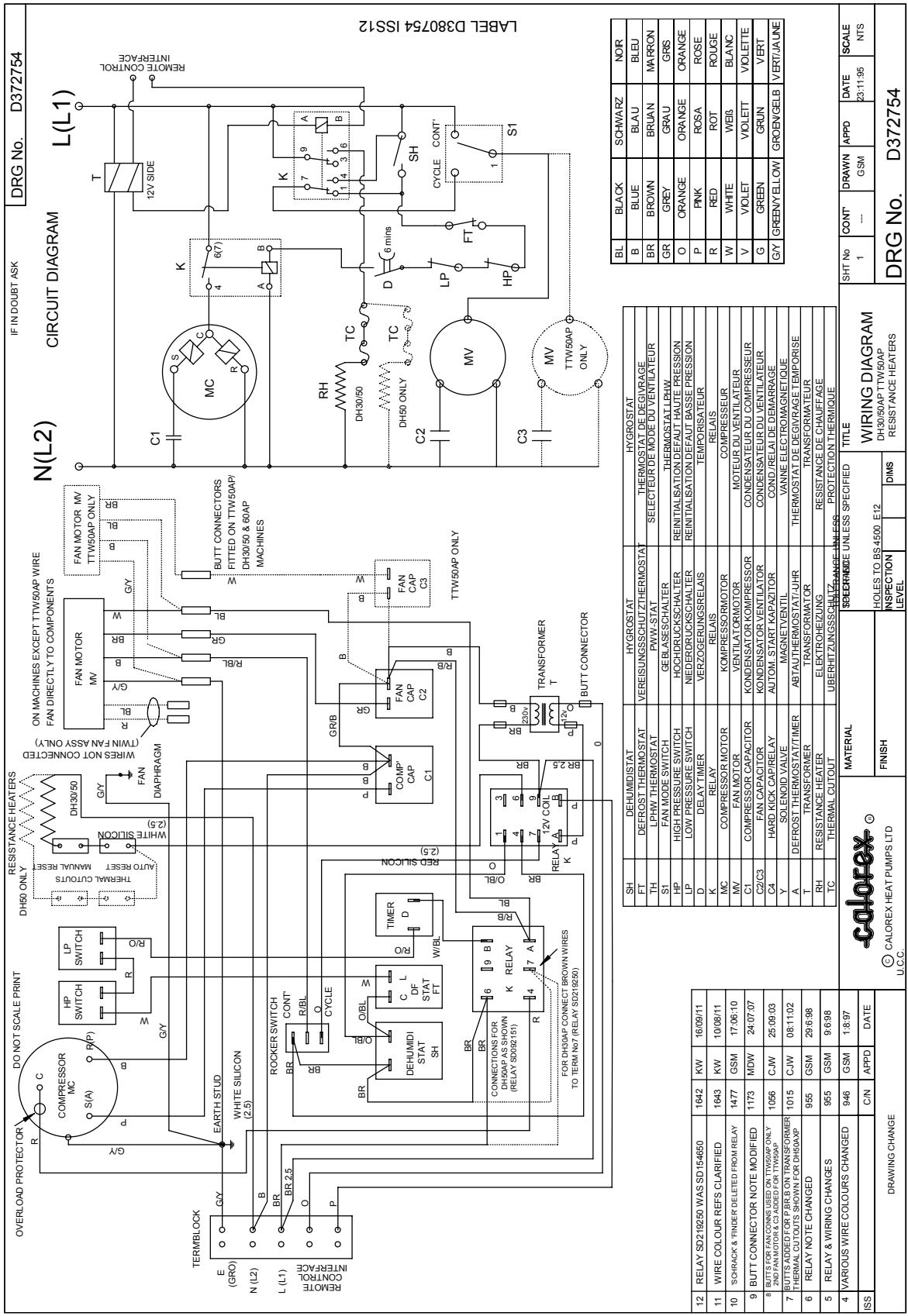
g) R407c Global warming potential (GWP) 1700.

1mm Wg = 9.8Pa

1m hd = 1.4psi

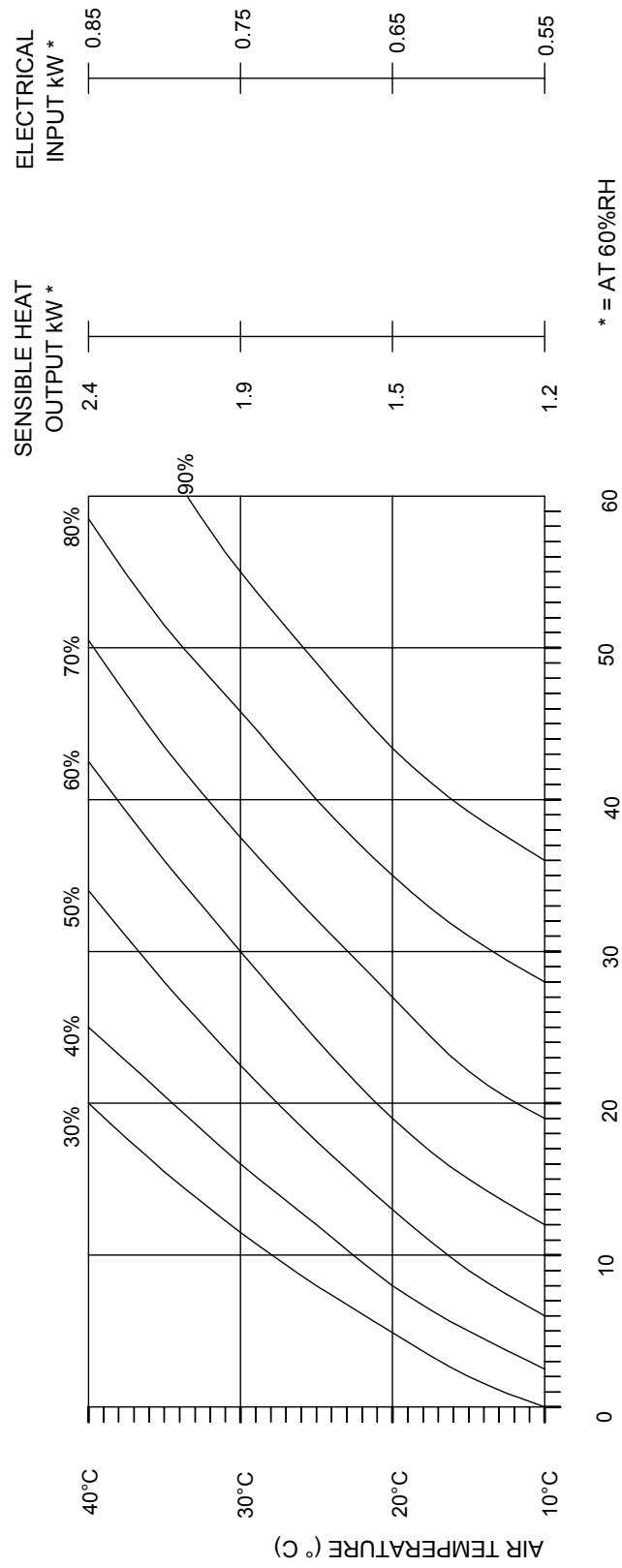
1L/min = 0.22 gal/min

3 WIRING DIAGRAMS CONT



4.0 PERFORMANCE GRAPHS

DH30/30(7)/33/33(7) PERFORMANCE.

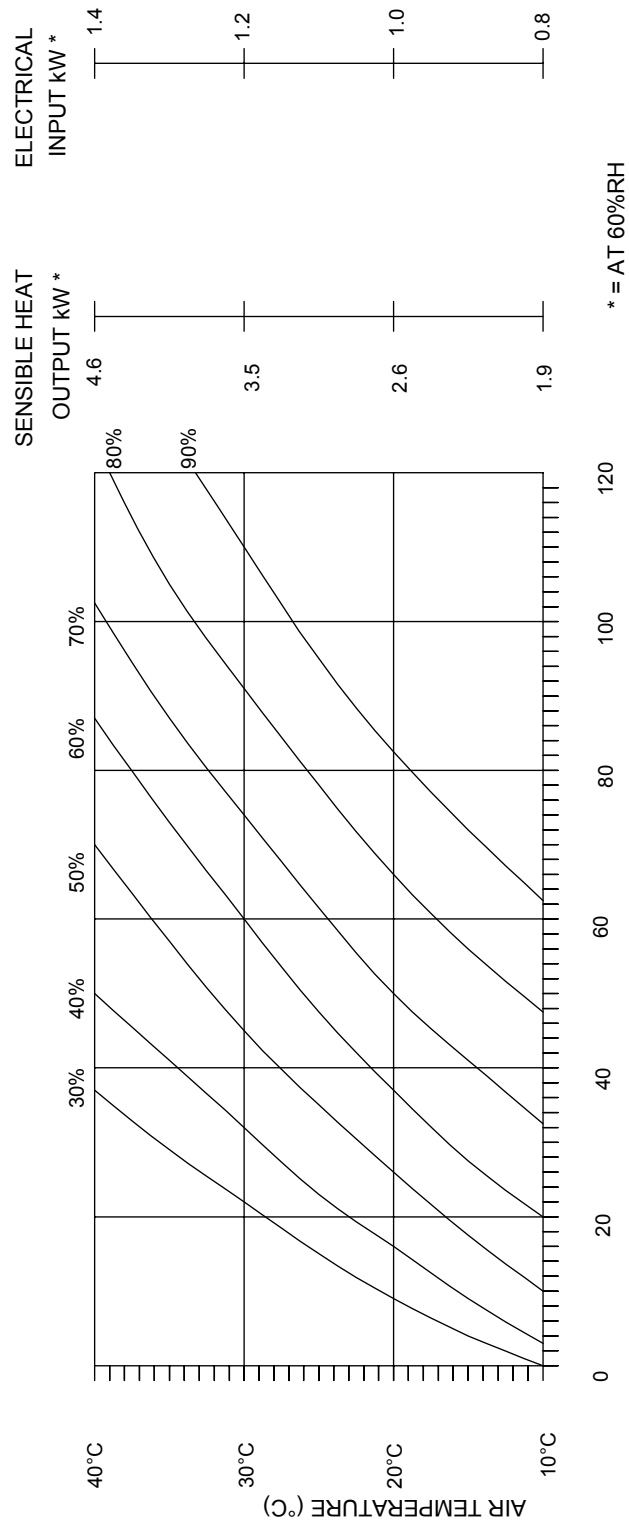


MOISTURE EXTRACTION LITRES/24HOURS

MAX OPERATING TEMP 40°C (R22 GAS)
 MAX OPERATING TEMP 35°C (R407c GAS)

4 PERFORMANCE GRAPHS CONT

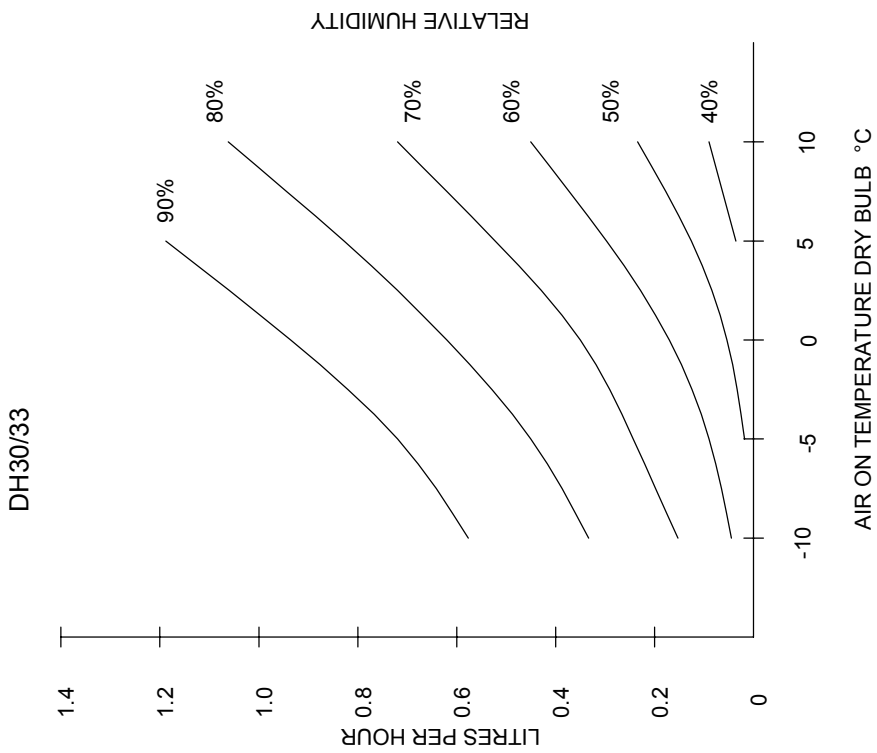
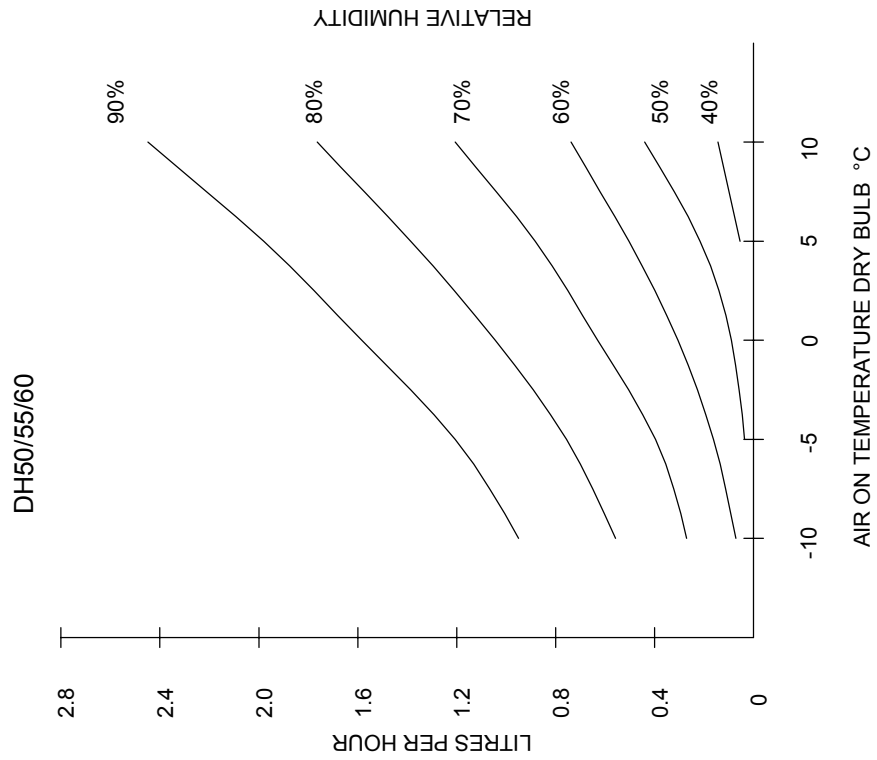
DH50/50(7)/55/55(7)/60/60(7) PERFORMANCE.



MOISTURE EXTRACTION LITRES/24HOURS

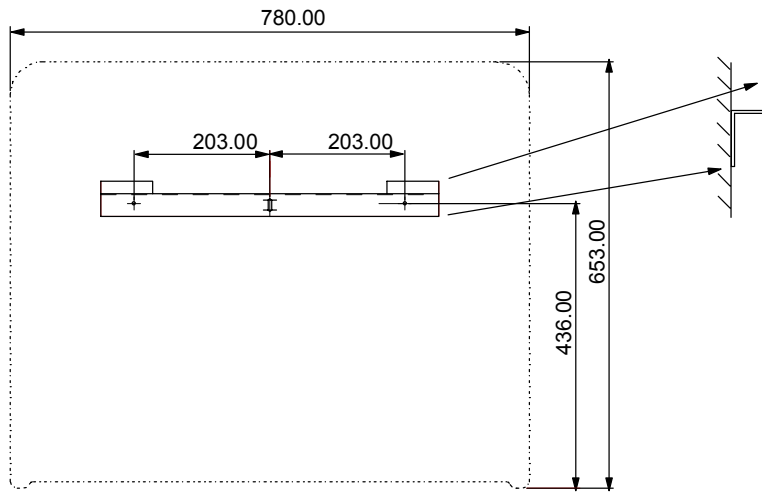
MAX OPERATING TEMP: 40°C (R22 GAS)
 MAX OPERATING TEMP: 35°C (R407c GAS)

4 PERFORMANCE GRAPHS CONT

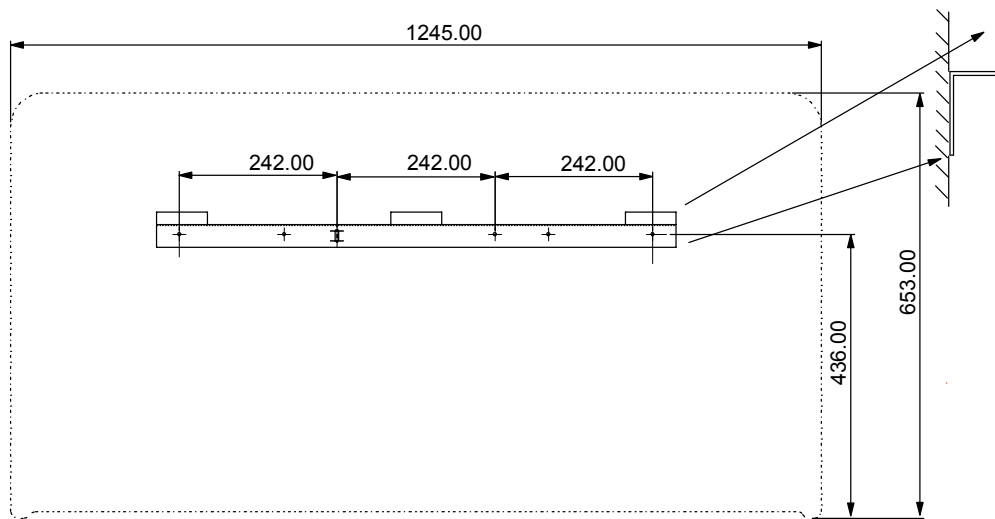


5.0 DIMENSIONS

POSITION OF BRACKETS RELATIVE TO WALL



30 SERIES WALLHUNG DEHUMIDIFIER

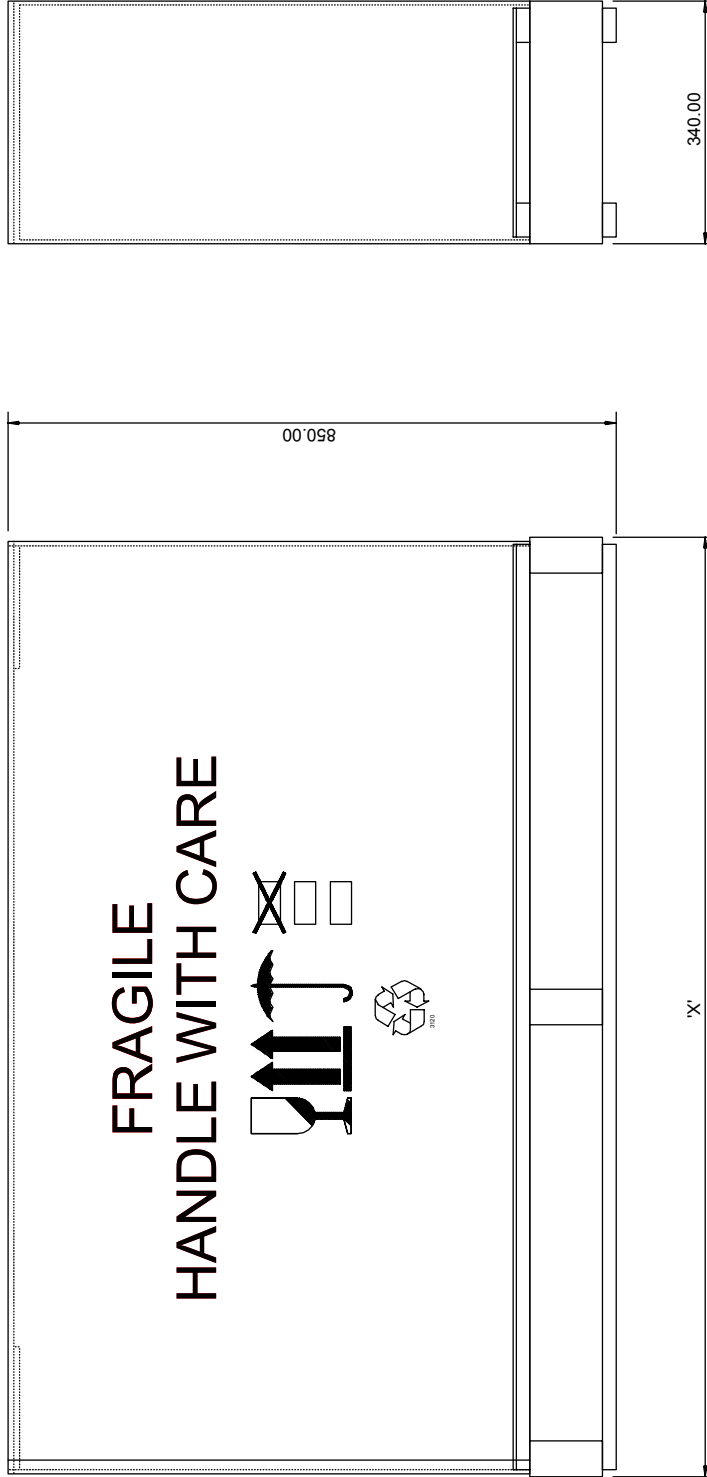


50 SERIES WALLHUNG DEHUMIDIFIER

5 DIMENSIONS CONT

PACKED DEHUMIDIFIERS

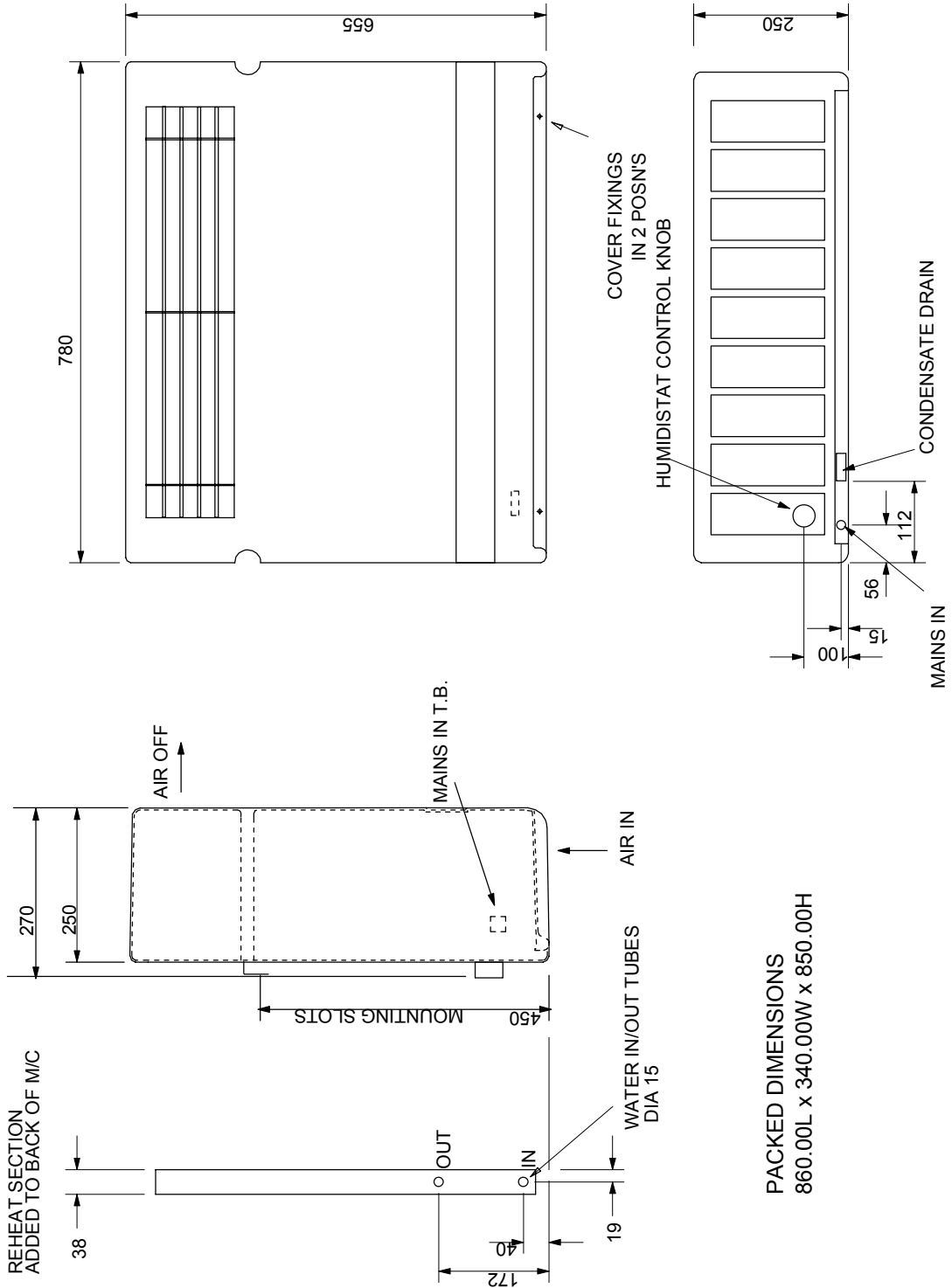
MACHINE TYPE	DIMENSION X
DH50 SERIES	1295.00
DH30 SERIES	830.00



5 DIMENSIONS CONT

DH30 DIMENSIONS

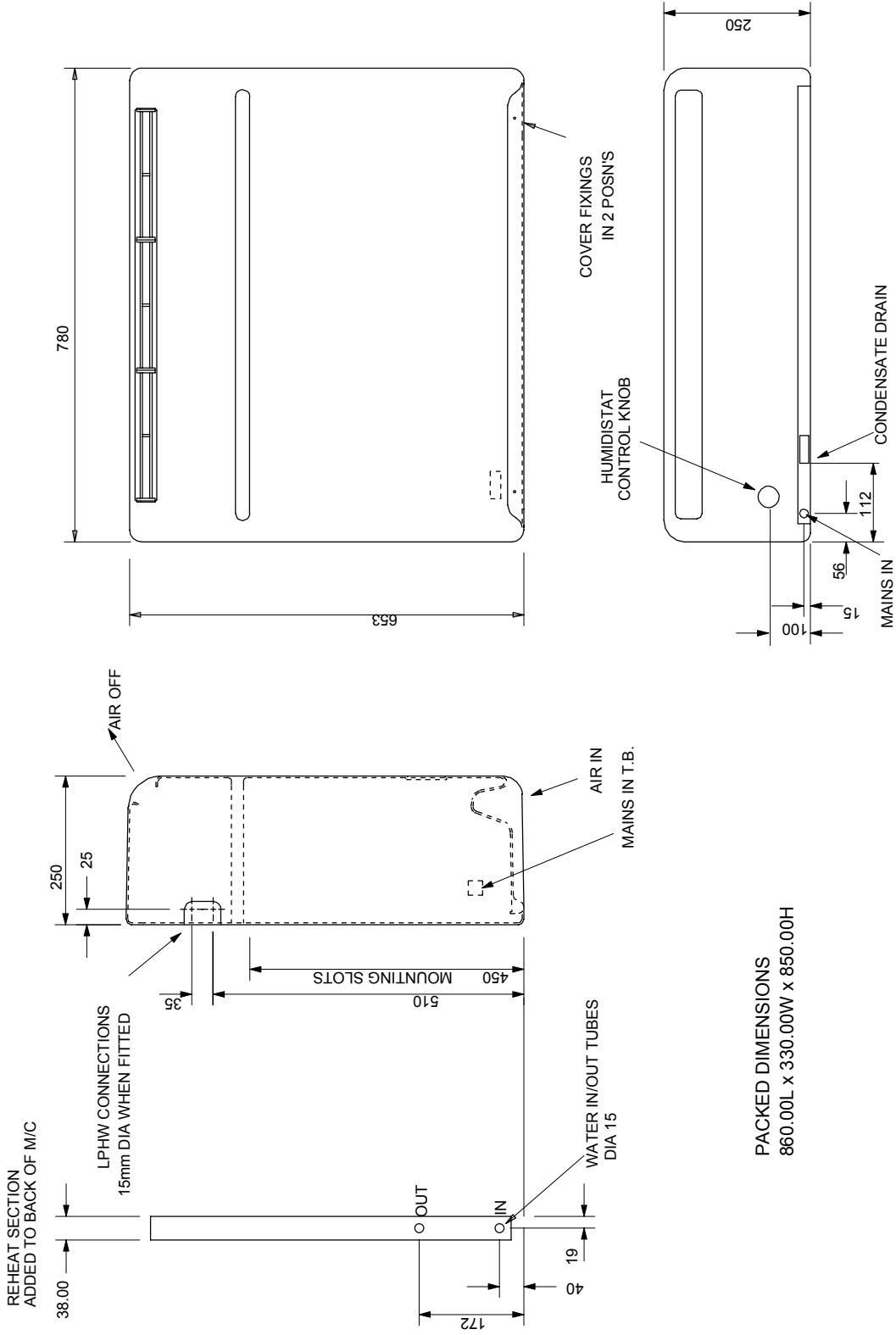
3rd ANGLE PROJECTION



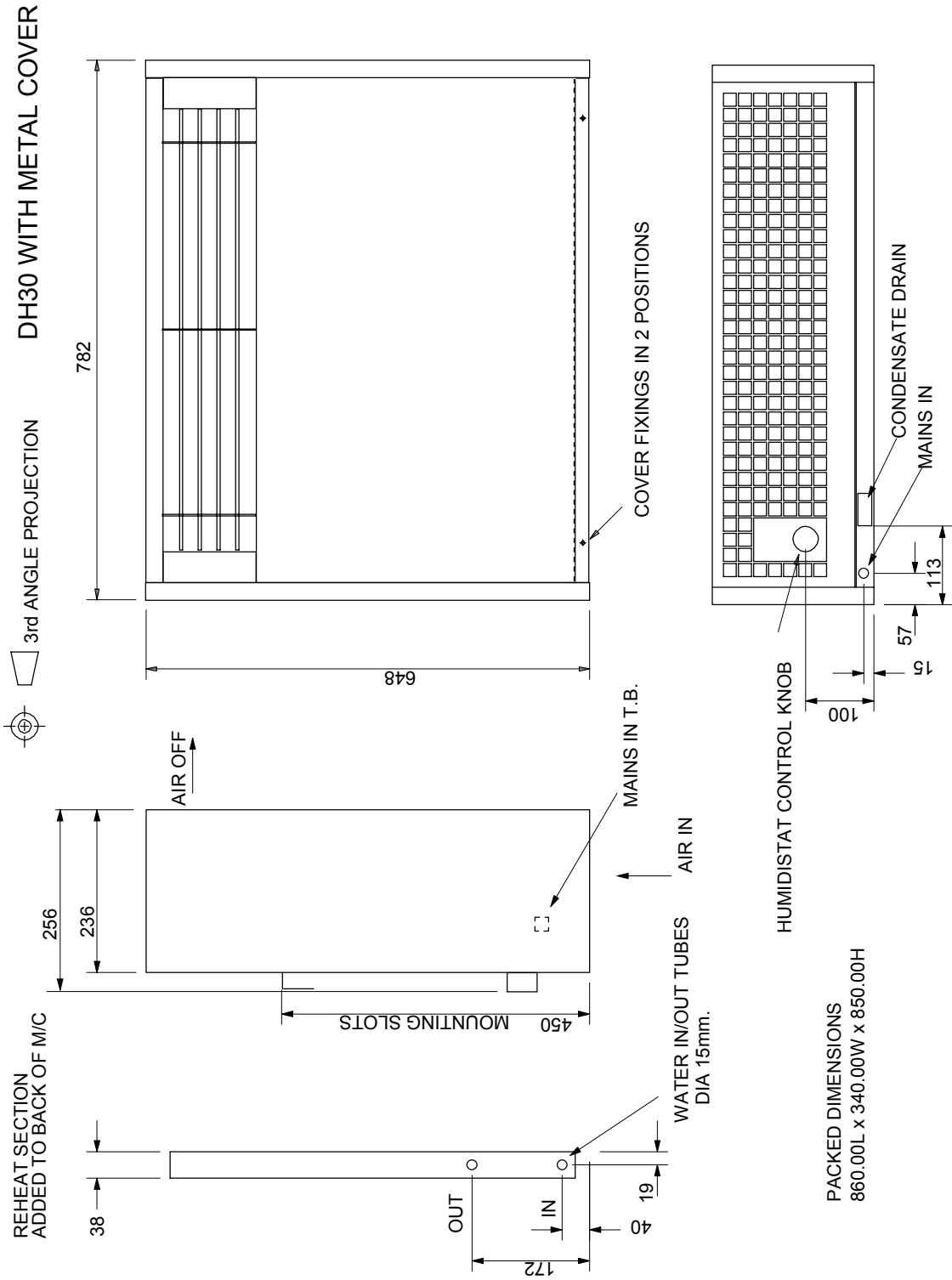
PACKED DIMENSIONS
860.00L x 340.00W x 850.00H

5 DIMENSIONS ONT

3rd ANGLE PROJECTION DH33 DIMENSIONS

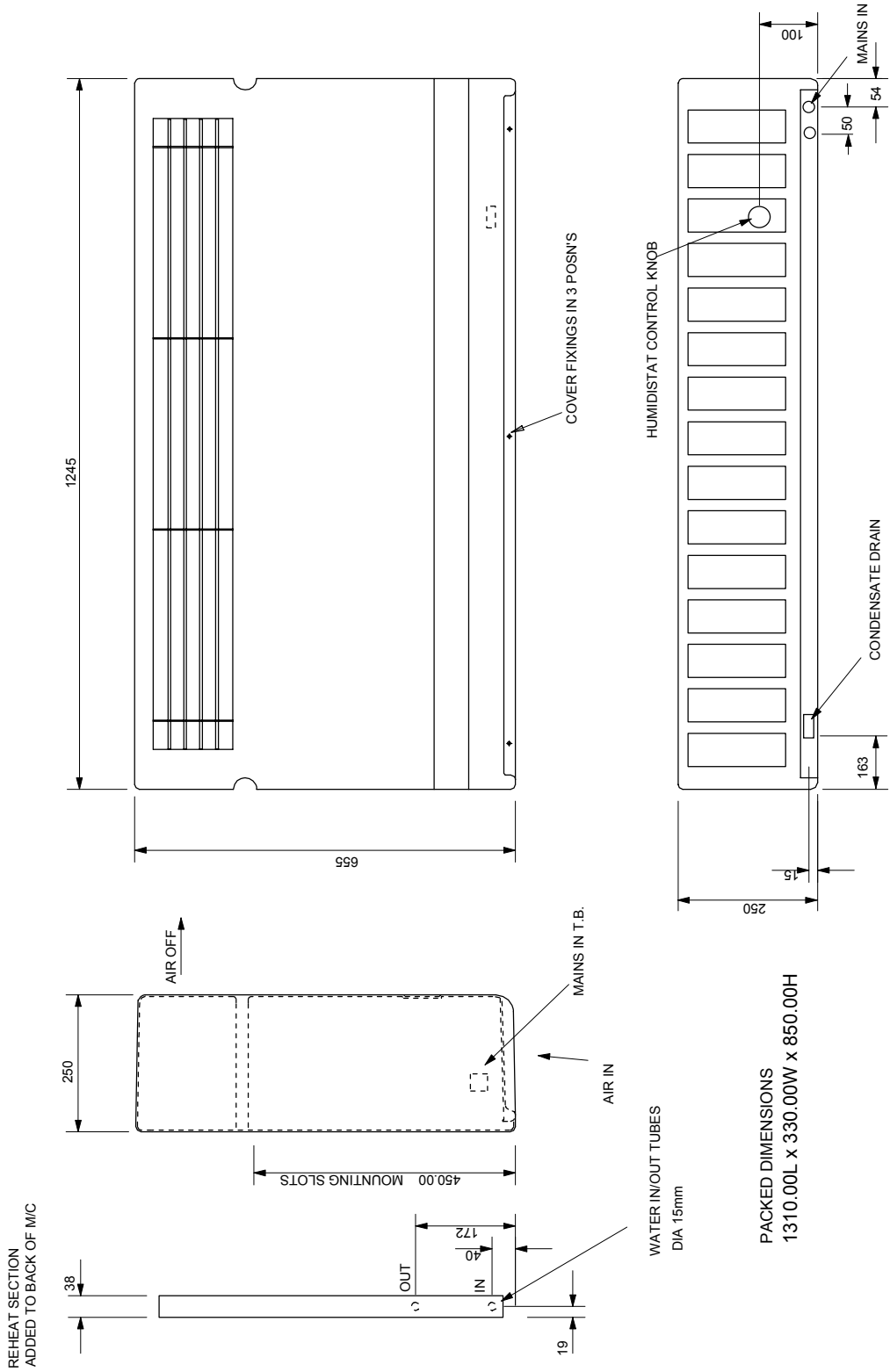


5 DIMENSIONS CONT



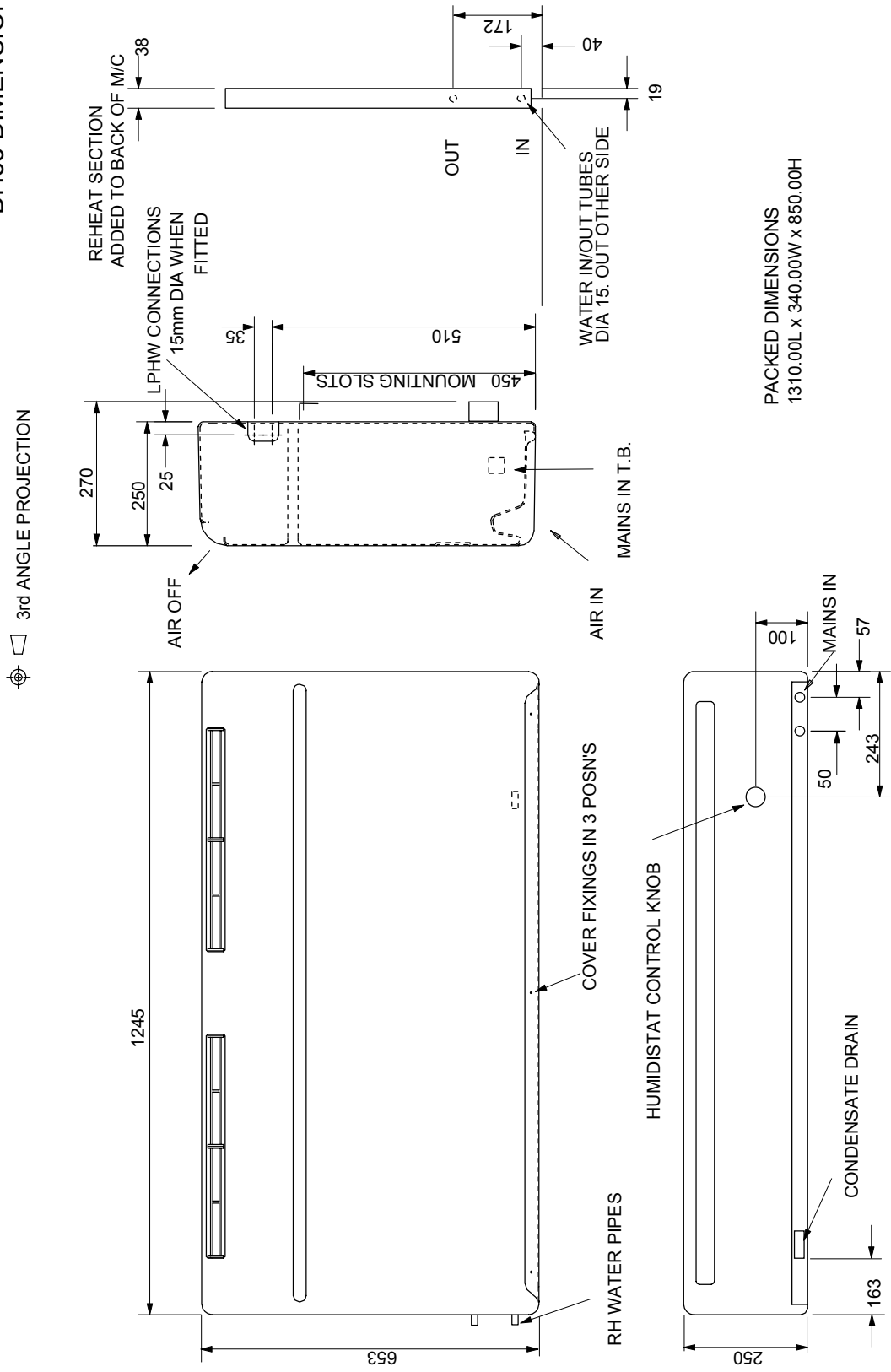
5 DIMENSIONS CONT

DH50/60 DIMENSIONS



5 DIMENSIONS CONT

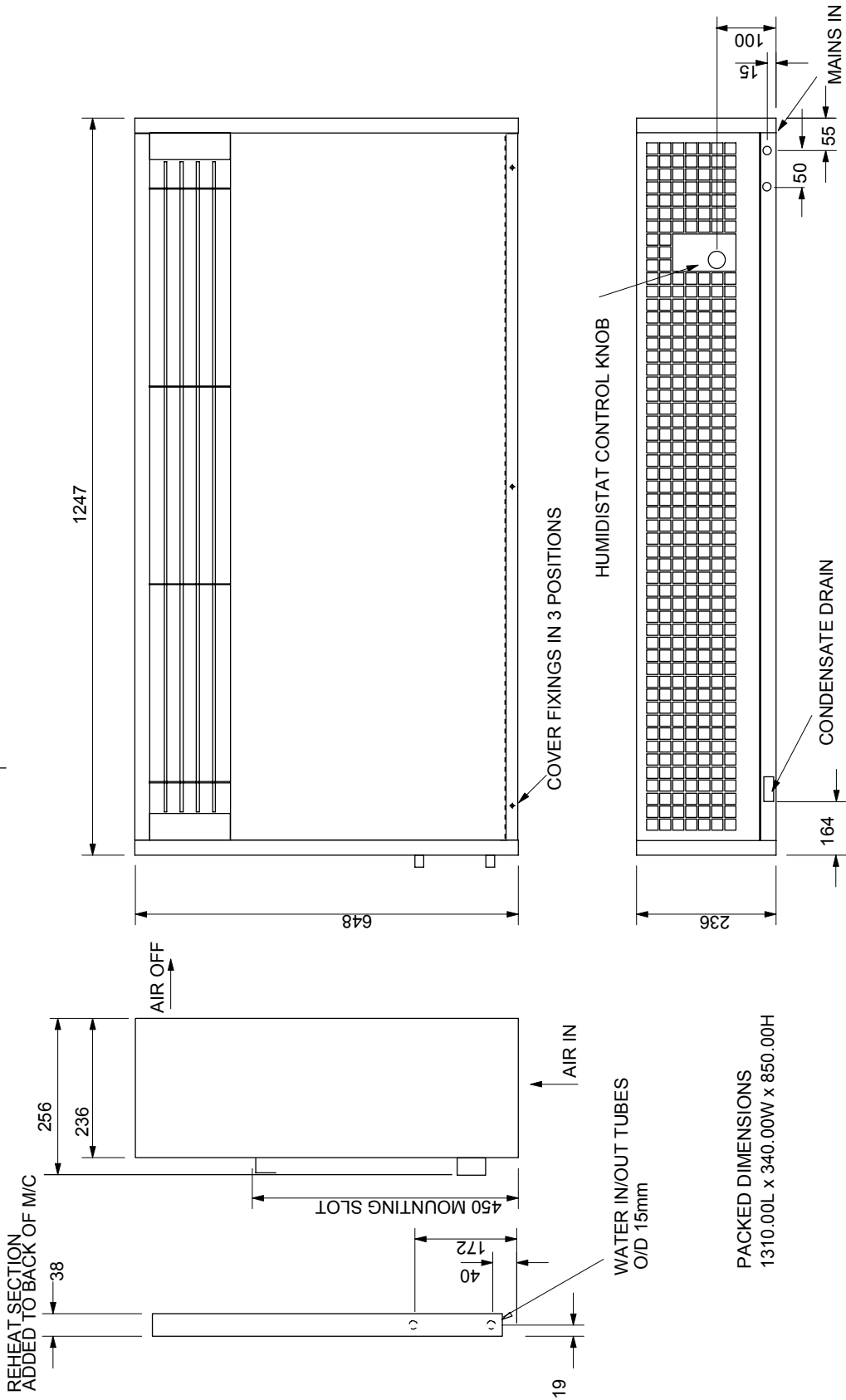
DH55 DIMENSIONS



5 DIMENSIONS CONT

DH60 (METAL COVER)

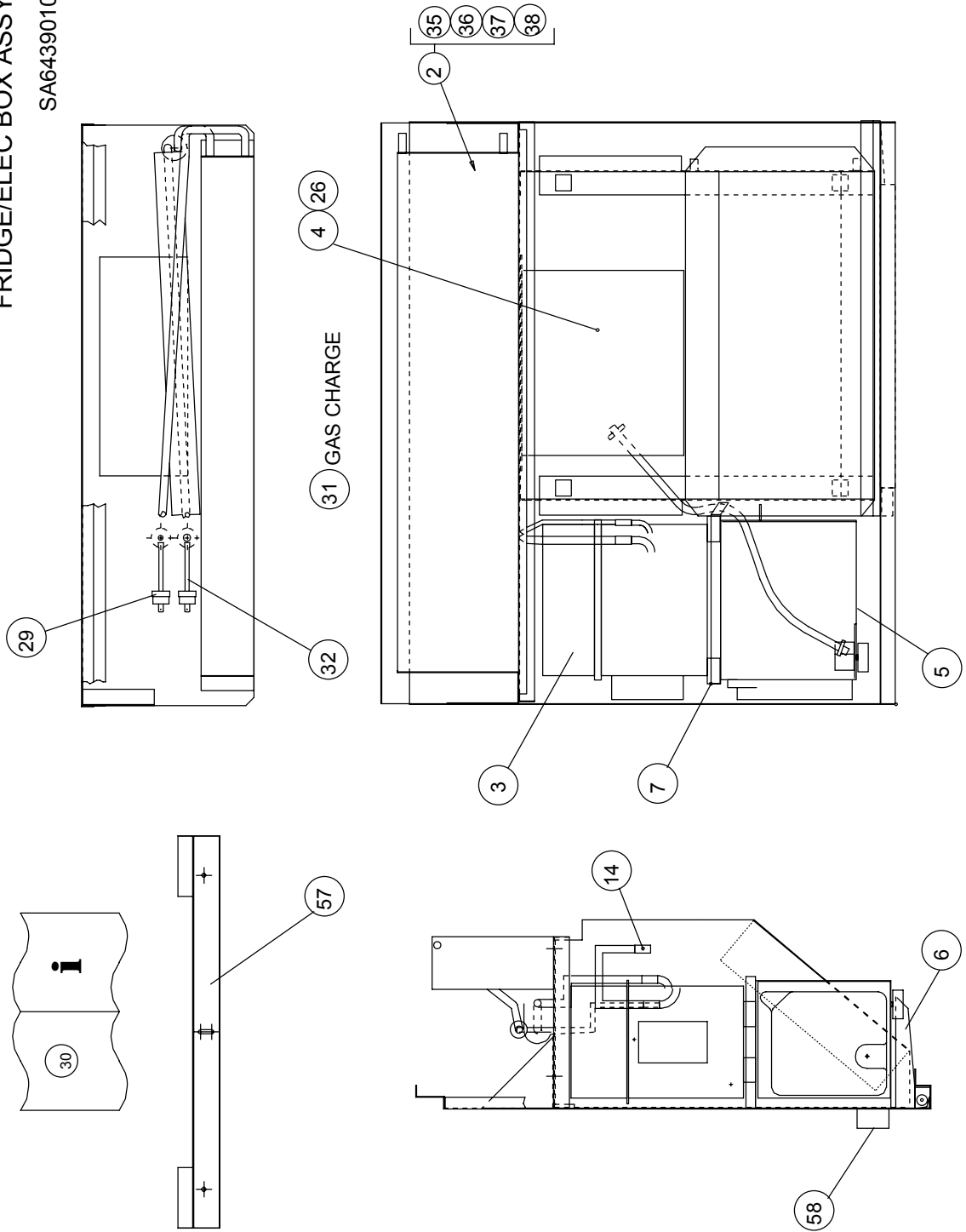
3rd ANGLE PROJECTION



PACKED DIMENSIONS
1310.00L x 340.00W x 850.00H

6.0 SPARE PARTS LISTS

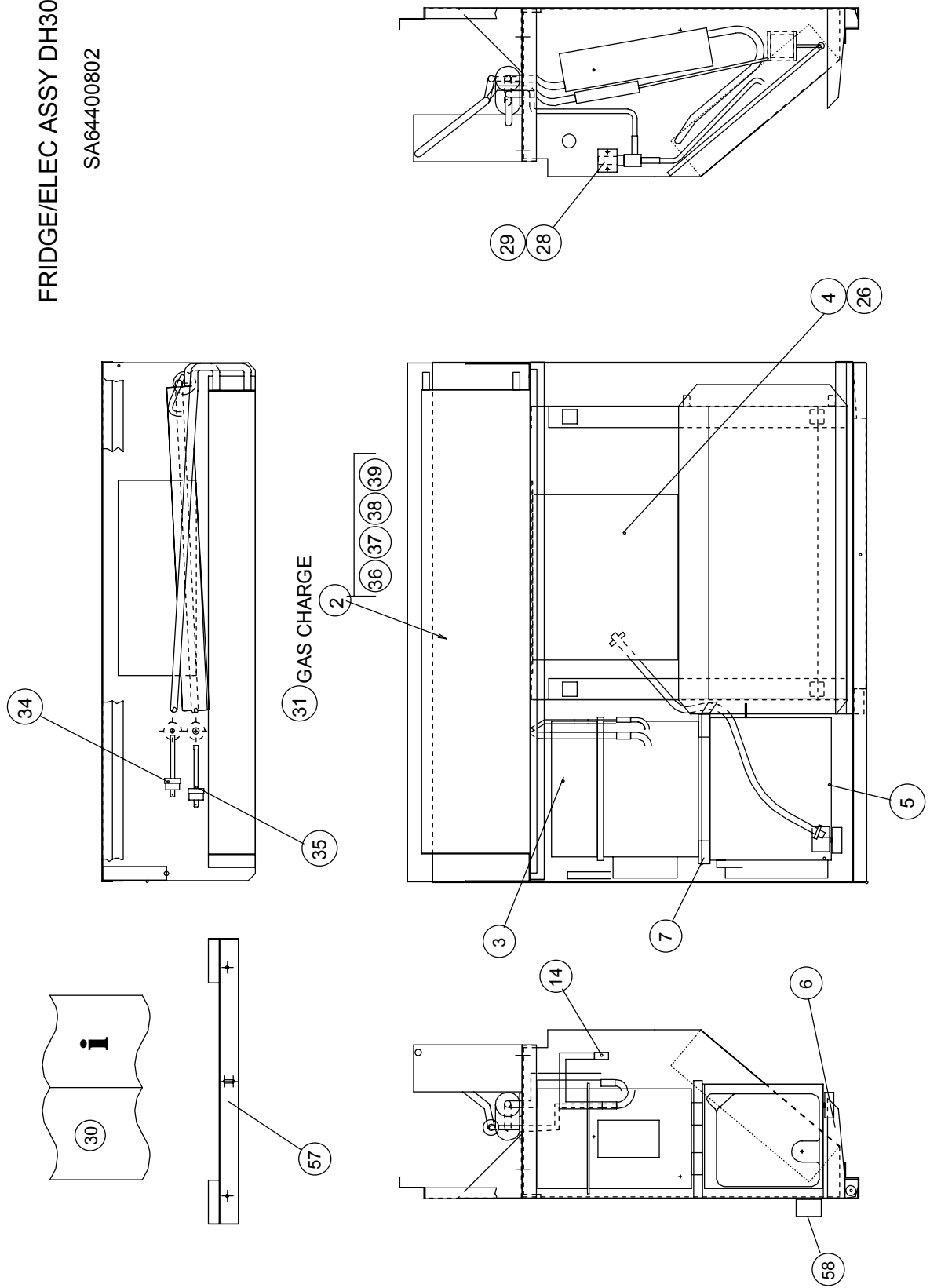
FRIDGE/ELEC BOX ASSY DH30(7)A
SA64390101 DH30(7)A



ASSY No SA390101 DH30(7)A FRIDGE/ELECT ASSY

ITEM NO.	PART No.	DESCRIPTION	QUAN	UNITS
2	SD140453	EVAP/COND ASSY DH30A	1	off
3	SA144154	COMPRESSOR ASSEMBLY AE5470C 230V 50HZ	1	off
4	SD101450	FAN CENTRIFUGAL 1050RPM	1	off
5	SA144501	ELECT BOX ASSY DH30A & ARH	1	off
*6	SD139050	DRIP TRAY (EVAPORATOR)	1	off
7	SD146951	DRIP TRAY (COMPRESSOR)	1	off
14	SD066350	SCHRADER VALVE	1	off
26	SD144250	U TYPE NUT	2	off
29	SD266450	SWITCH HIGH PRESSURE ACB-DB64	1	off
30	SD139451	OWNERS INSTALLATION MANUAL	1	off
31	SP182554	REFRIGERANT R407c	0.5	kg
32	SD266550	LP SWITCH LCB-DA15	1	off
35	SD138052	EVAPORATOR	1	off
36	SD136950	CONDENSER	1	off
37	SD141250	DRIER HRP 274151	1	off
38	SD318250	CAPILLARY TUBE	0.864	m
57	SD138851	WALL BRACKET	1	off
58	D458450	ANTI VIBRATION BUFFER	2	off
	SD229503	WIER KIT (OPTIONAL)	1	off
VARIATION WHEN HUMIDISTAT OPTION FITTED AS ABOVE BUT DROP				
5	SA144501	ELECT BOX ASSY DH30A & ARH	1	off
AND FIT				
	SA144509	ELECT BOX ASSY DH30A + REMOTE STAT	1	off
* FOR MURPROTEC VERSIONS FIT				
	SD139051	DRIP TRAY (EVAPORATOR)	1	off

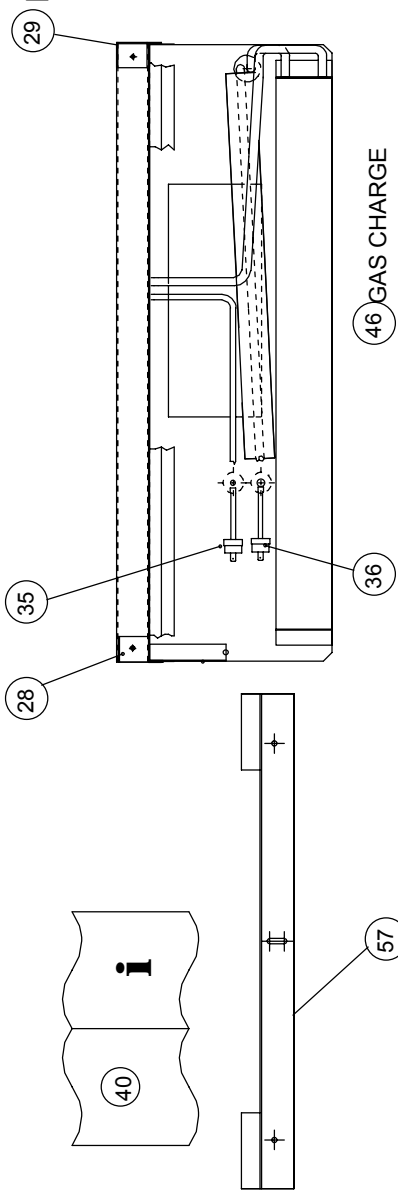
FRIDGE/ELEC ASSY DH30AX
SA64400802



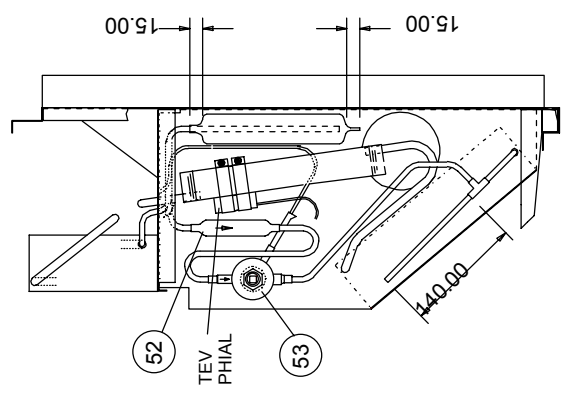
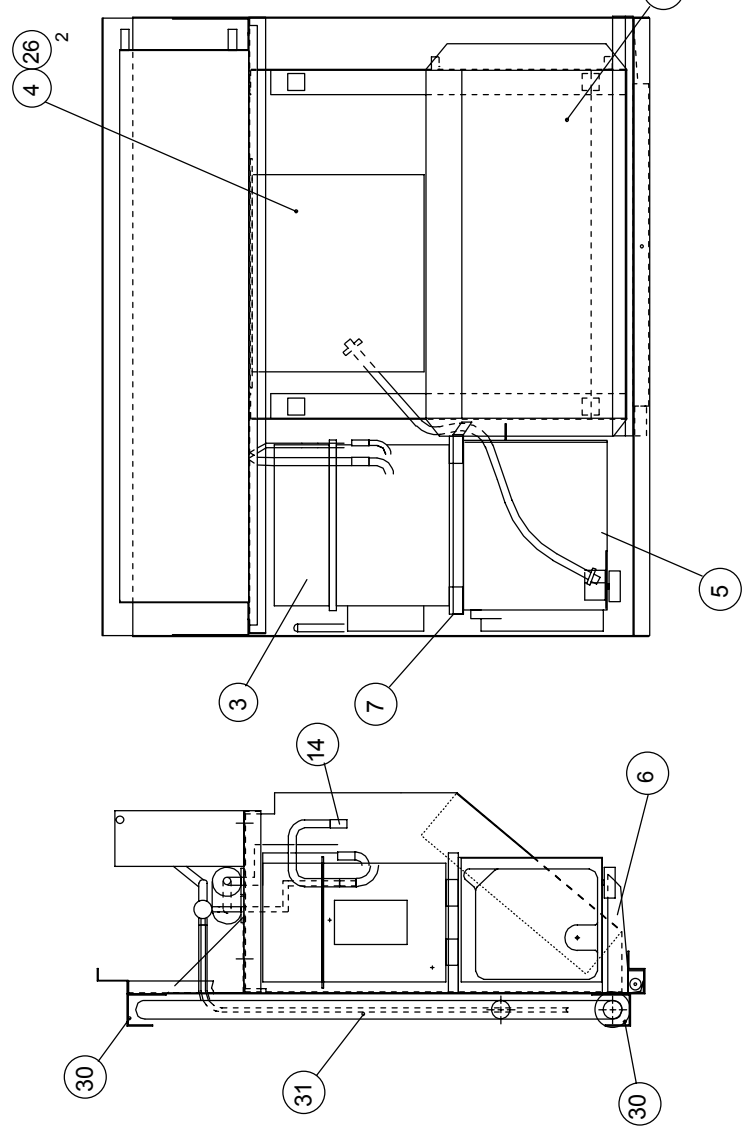
ASSY No SA400802 DH30(7)AX FRIDGE ELECT ASSY

ITEM NO.	PART No.	DESCRIPTION	QUAN	UNITS
2	SD140454	EVAP/COND ASSY R407C	1	off
3	SA144154	COMPRESSOR ASSY AE5470C 1PH N 230V 50HZ	1	off
4	SD101450	FAN CENTRIFUGAL 1050RPM	1	off
5	SD144502	ELECT BOX ASSY DH33AX	1	off
*6	SD139050	DRIPTRAY DH30/DH33	1	off
7	SD146951	DRIP TRAY (COMPRESSOR)	1	off
14	SD066350	SCHRADER VALVE	1	off
26	SD144250	U TYPE NUT	2	off
28	SD146150	SOLENOID VALVE	1	off
29	SD146250	SOLENOID COIL 240V	1	off
30	SD139451	OWNER INSTALLATION MANUAL	1	off
31	SP182554	REFRIGERANT R407c	0.5	kg
34	SD266450	SWITCH HIGH PRESSURE ACB-DB64	1	off
35	SD266550	LP SWITCH LCB-DA15	1	off
36	SD138051	EVAPORATOR	1	off
37	SD136950	CONDENSER	1	off
38	SD141250	DRIER HRP 274151	1	off
39	SD318250	CAPILLARY TUBE	0.864	m
57	SD138851	WALL BRACKET	1	off
58	D458450	ANI VIBRATION BUFFER	2	off
	SD229503	WIER KIT (OPTIONAL)	1	off
VARIATION WHEN HUMIDISTAT OPTION FITTED				
AS ABOVE BUT DROP				
5	SA144502	ELECT BOX ASSY DH30AX	1	off
AND FIT				
	SA144510	ELECT BOX ASSY DH30AX + REMOTE STAT	1	off
* FOR MURPROTEC VERSIONS FIT				
	SD139051	DRIP TRAY (EVAPORATOR)	1	off

29) FRIDGE/ELEC ASSY DH30ARH
SA64239207



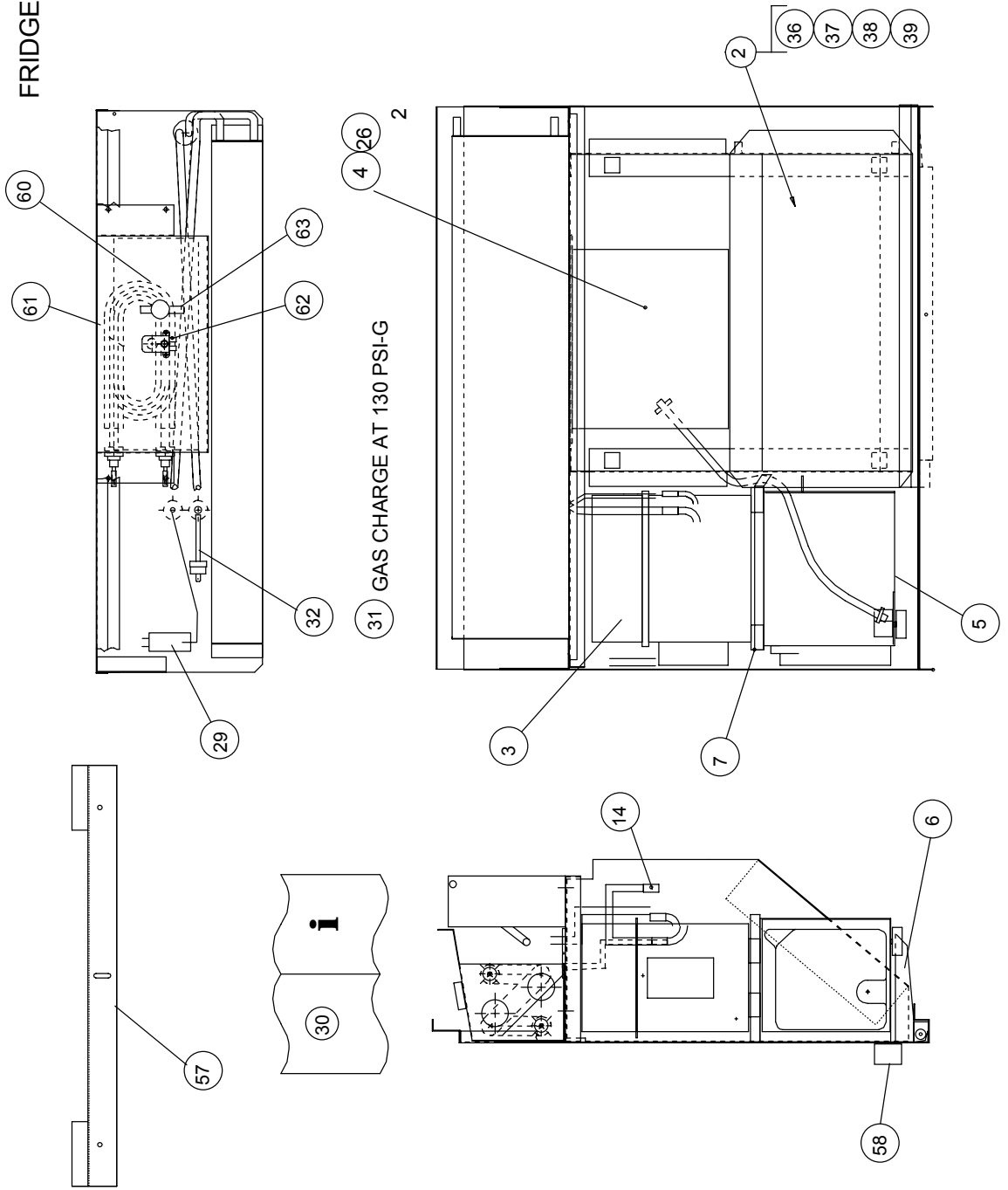
46) GAS CHARGE



ASSY No SA239207 DH30ARH FRIDGE/ELECT ASSY

ITEM NO.	PART No.	DESCRIPTION	QUAN	UNITS
2	SA140452	EVAP COND ASSY DH30ARH	1	off
3	SA144154	COMPRESSOR ASSY AE5470C 1PH N 230V 50HZ	1	off
4	SD101450	FAN CENTRIFUGAL 1050RPM	1	off
5	SA144501	ELECT BOX ASSY DH30A & ARH	1	off
6	SD139050	DRIP TRAY (EVAPORATOR)	1	off
7	SD146951	DRIP TRAY (COMPRESSOR)	1	off
14	SD066350	SCHRADER VALVE	1	off
26	SD144250	U TYPE NUT	2	off
28	SD155750	BRACKET WATER COIL	1	off
29	SD155751	BRACKET WATER COIL	1	off
30	SD155850	BRACKET WATER COIL	2	off
31	SD172650	CONDENSER CO-AXIAL SERPENTINE	1	off
35	SD266450	SWITCH HIGH PRESSURE ACB-DB64	1	off
36	SD266550	LP SWITCH LCB-DA15	1	off
38	SD138050	EVAPORATOR	1	off
39	SD136050	CONDENSER	1	off
40	SD139451	OWNER INSTALLATION MANUAL	1	off
46	SP182554	REFRIGERANT R407c	1.04	kg
52	SD141250	DRIER HRP 274151	1	off
53	SD086752	TEV 0.5INE-GA-BP10	1	off
57	SD152650	WALL BRACKET	1	off
	SD229503	WIER KIT	1	off
VARIATION WHEN HUMIDISTAT OPTION FITTED				
AS ABOVE BUT DROP				
5	SA144501	ELECT BOX ASSY DH30A & ARH	1	off
AND FIT				
	SA144509	ELECT BOX ASSY DH30A + REMOTE STAT	1	off
* FOR MURPROTEC VERSIONS FIT				
	SD139051	DRIP TRAY (EVAPORATOR)	1	off

FRIDGE/ELEC ASSY DH30AP
SA390103

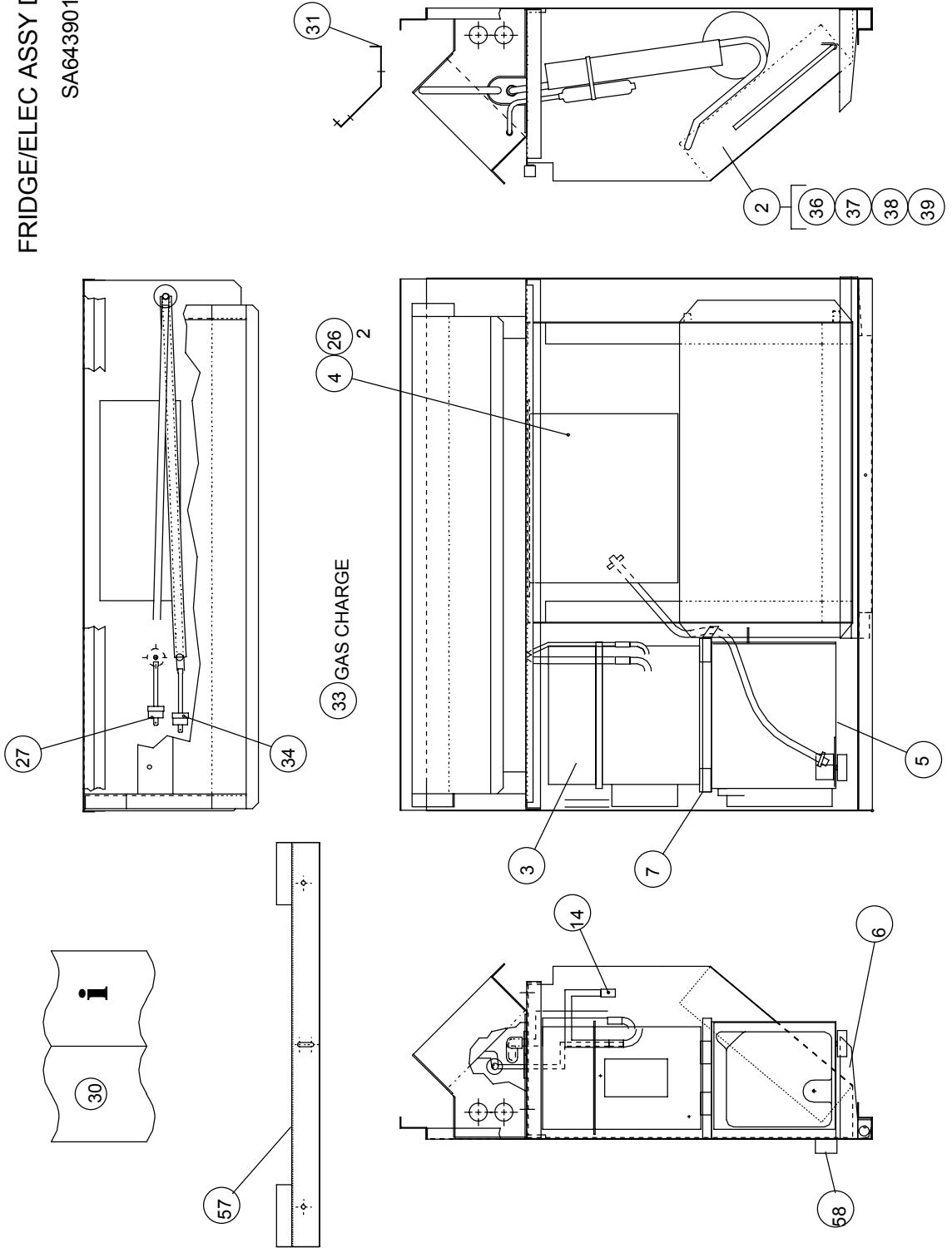


ASSY No SA390103 DH30(7)AP FRIDGE/ELECT ASSY

ITEM NO.	PART No.	DESCRIPTION	QUAN	UNITS
2	SD140453	EVAP/COND ASSY DH30A	1	off
3	SA144154	COMPRESSOR ASSY AE5470C 1PH N 230V 50HZ	1	off
4	SD101450	FAN CENTRIFUGAL 1050RPM	1	off
5	SA144507	ELECT BOX ASSY DH30AP	1	off
*6	SD139050	DRIPTRAY (EVAPORATOR)	1	off
7	SD146951	DRIP TRAY (COMPRESSOR)	1	off
14	SD066350	SCHRADER VALVE	1	off
26	SD144250	U TYPE NUT	2	off
29	SD062553	HP SWITCH 400PSI	1	off
30	SD139451	OWNER INSTALLATION MANUAL	1	off
31	SP182554	REFRIGERANT R407c	0.5	kg
32	SD266550	LP SWITCH LCB-DA15	1	off
36	SD138052	EVAPORATOR	1	off
37	SD136050	CONDENSER	1	off
38	SD141250	DRIER HRP 274151	1	off
39	SD318250	CAPILLARY TUBE 0.052 I/D	0.864	m
57	SD138851	WALL BRACKET	1	off
58	D458450	ANTI VIBRATION BUFFER	2	off
60	SD362850	AIR HEATER ELEMENT	1	off
61	SD362950	HEATER COVER	1	off
62	SD103251	THERMAL CUTOUT AUTO RESET	1	off
63	SD103252	THERMAL CUTOUT MANUAL RESET	1	off
	SD229503	WEIR KIT (OPTIONAL)	1	off
* FOR MURPROTEC VERSIONS FIT				
	SD139051	DRIP TRAY (EVAPORATOR)	1	off

FRIDGE/ELEC ASSY DH33A

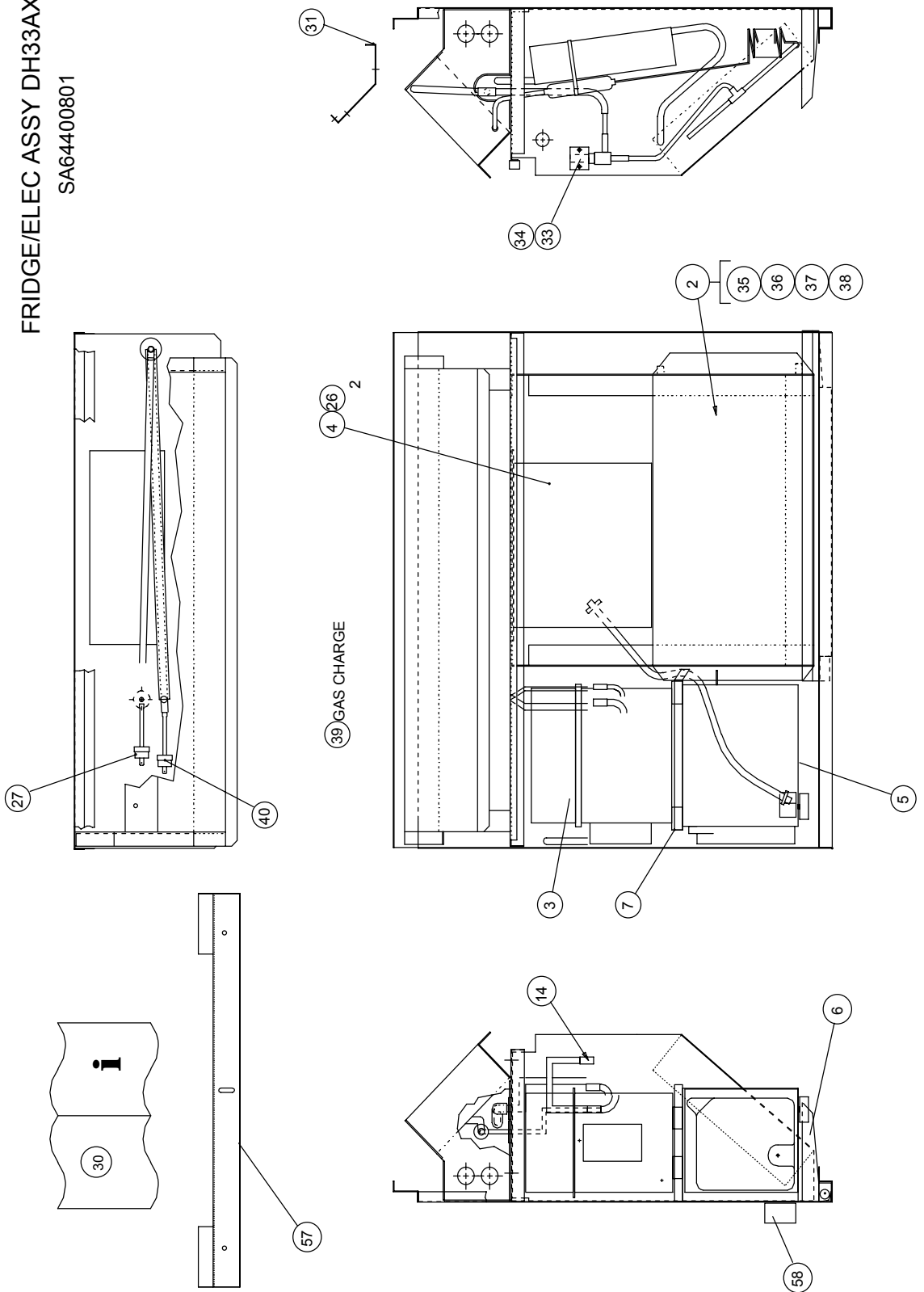
SA64390102



ASSY No SA390102 DH33(7)A FRIDGE/ELECT ASSY

ITEM NO.	PART No.	DESCRIPTION	QUAN	UNITS
2	SD140407	EVAP/COND ASSY DH33(7)A	1	off
3	SA144154	COMPRESSOR ASSY AE5470C 1PH N 230V 50HZ	1	off
4	SD101450	FAN CENTRIFUGAL 1050RPM	1	off
5	SA144501	ELECT BOX ASSY DH30A & ARH	1	off
6	SD139050	DRIPTRAY DH30/DH33	1	off
7	SD146951	DRIP TRAY (COMPRESSOR)	1	off
14	SD066350	SCHRADER VALVE	1	off
26	SD144250	U TYPE NUT	2	off
27	SD266450	SWITCH HIGH PRESSURE ACB-DB64	1	off
30	SD139451	OWNER INSTALLATION MANUAL	1	off
31	SD264550	BLANKING PLATE DH33	1	off
33	SP182554	REFRIGERANT R407c	0.5	kg
34	SD266550	LP SWITCH LCB-DA15	1	off
36	SD138052	EVAPORATOR	1	off
37	SD136951	CONDENSER	1	off
38	SD141250	DRIER HRP 274151	1	off
39	SD318250	CAPILLARY TUBE 0.052 I/D	0.813	m
57	SD138851	WALL BRACKET	1	off
58	D458450	ANTI VIBRATION BUFFER	2	off
VARIATION WHEN HUMIDISTAT OPTION FITTED AS ABOVE BUT DROP				
5	SA144501	ELECT BOX ASSY DH30A & ARH	1	off
AND FIT				
	SA144509	ELECT BOX ASSY DH30A + REMOTE STAT	1	off
* FOR MURPROTEC VERSIONS FIT				
	SD139051	DRIP TRAY (EVAPORATOR)	1	off

FRIDGE/ELEC ASSY DH33AX
SA64400801

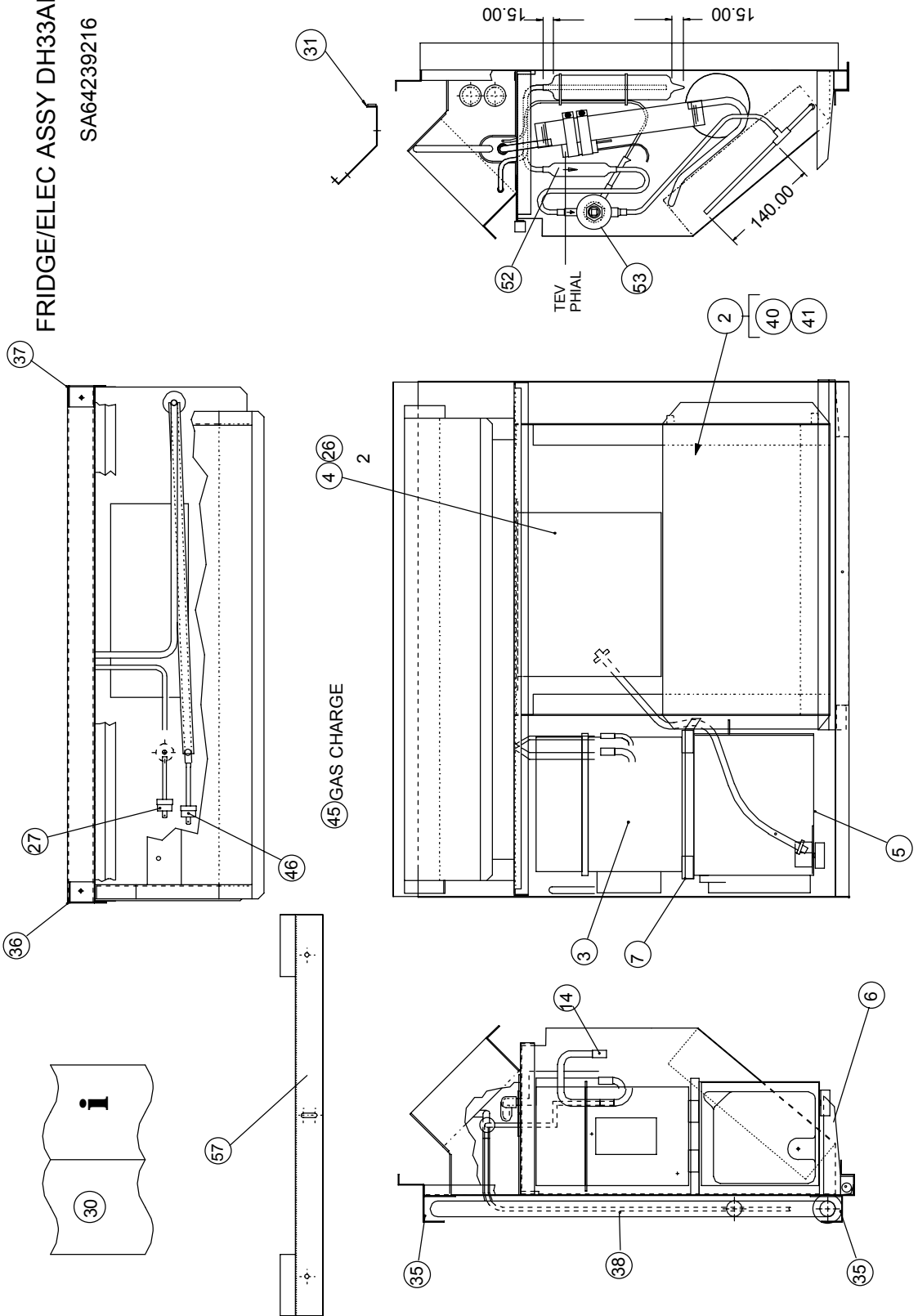


ASSY No SA400801 DH33(7)AX FRIDGE/ELECT ASSY

ITEM NO.	PART No.	DESCRIPTION	QUAN	UNITS
2	SD140408	EVAP/COND ASSY DH33(7)AX	1	off
3	SA144154	COMPRESSOR ASSY AE5470C 1PH N 230V 50HZ	1	off
4	SD101450	FAN CENTRIFUGAL 1050RPM	1	off
5	SA144502	ELECT BOX ASSY DH33AX	1	off
*6	SD139050	DRIP TRAY (EVAPORATOR)	1	off
7	SD146951	DRIP TRAY (COMPRESSOR)	1	off
14	SD066350	SCHRADER VALVE	1	off
26	SD144250	U TYPE NUT	2	off
27	SD266450	SWITCH HIGH PRESSURE ACB-DB64	1	off
30	SD139451	OWNER INSTALLATION MANUAL	1	off
31	SD264550	BLANKING PLATE	1	off
33	SD146150	SOLENOID VALVE	1	off
34	SD146250	SOLENOID COIL 240V	1	off
35	SD138051	EVAPORATOR	1	off
36	SD136051	CONDENSER	1	off
37	SD141250	DRIER HRP 274151	1	off
38	SD318250	CAPILLARY TUBE 0.052 I/D	0.864	m
39	SP182554	REFRIGERANT R407c	0.5	kg
40	SD266550	LP SWITCH LCB-DA15	1	off
57	SD138851	WALL BRACKET	1	off
58	D458450	ANTI VIBRATION BUFFER	2	off
VARIATION WHEN HUMIDISTAT OPTION FITTED AS ABOVE BUT DROP				
5	SA144502	ELECT BOX ASSY DH30AX	1	off
AND FIT				
	SA144510	ELECT BOX ASSY DH30AX + REMOTE STAT	1	off
* FOR MURPROTEC VERSIONS FIT				
	SD139051	DRIP TRAY (EVAPORATOR)	1	off

FRIDGE/ELEC ASSY DH33ARH

SA64239216

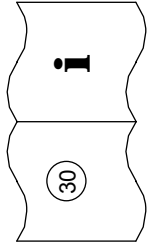
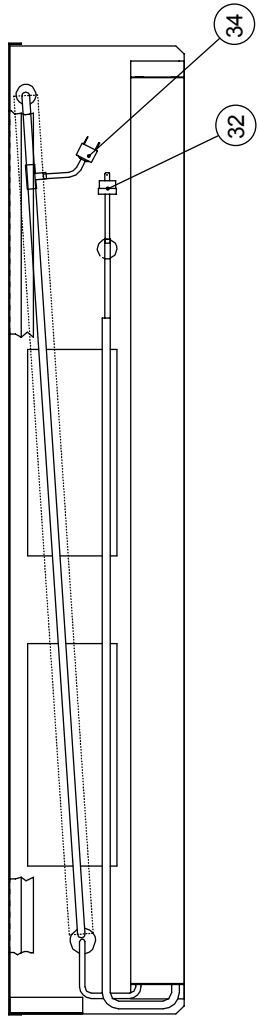
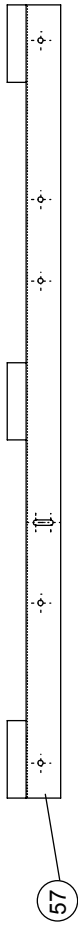


ASSY No SA239216 DH33ARH FRIDGE/ELECT ASSY

ITEM NO.	PART No.	DESCRIPTION	QUAN	UNITS
2	SD140406	EVAP/COND ASSY DH33ARH	1	off
3	SA144154	COMPRESSOR ASSY AE5470C 1PH N 230V 50HZ	1	off
4	SD101450	FAN CENTRIFUGAL 1050RPM	1	off
5	SA144501	ELECT BOX ASSY DH30A & ARH	1	off
6	SD139050	DRIP TRAY (EVAPORATOR)	1	off
7	SD146951	DRIP TRAY (COMPRESSOR)	1	off
14	SD066350	SCHRADER VALVE	1	off
26	SD144250	U TYPE NUT	2	off
27	SD266450	SWITCH HIGH PRESSURE ACB-DB64	1	off
30	SD139451	OWNER INSTALLATION MANUAL	1	off
31	SD264550	BLANKING PLATE	1	off
35	SD155850	BRACKET WATER COIL	2	off
36	SD155750	BRACKET WATER COIL	1	off
37	SD155751	BRACKET WATER COIL	1	off
38	SD172650	CONDENSER CO-AXIAL SERPENTINE	1	off
40	SD138050	EVAPORATOR	1	off
41	SD136051	CONDENSER	1	off
45	SP182554	REFRIGERANT R407c	1.04	kg
46	SD266550	LP SWITCH LCB-DA15	1	off
52	SD141250	DRIER HRP 274151	1	off
53	SD086752	TEV 0.5INE-GA-BP10	1	off
57	SD156250	WALL BRACKET	1	off
VARIATION WHEN HUMIDISTAT OPTION FITTED AS ABOVE BUT DROP				
5	SA144501	ELECT BOX ASSY DH30A & ARH	1	off
AND FIT				
	SA144509	ELECT BOX ASSY DH30A + REMOTE STAT	1	off
* FOR MURPROTEC VERSIONS FIT				
	SD139051	DRIP TRAY (EVAPORATOR)	1	off

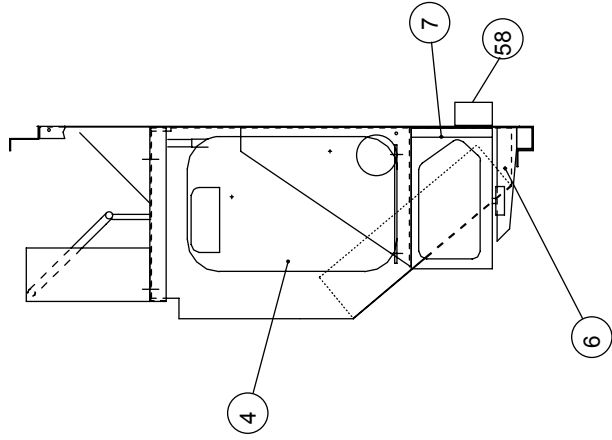
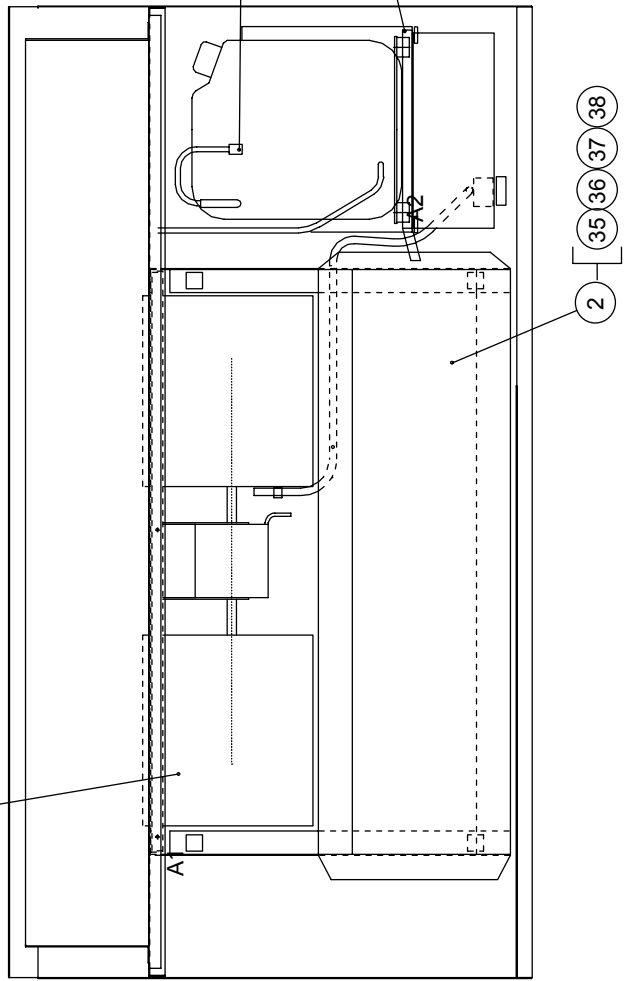
FRIDGE/ELEC ASSY DH50/60A/ DH60(7)A

SA64390201



33 GAS CHARGE AT 130 PS1-G

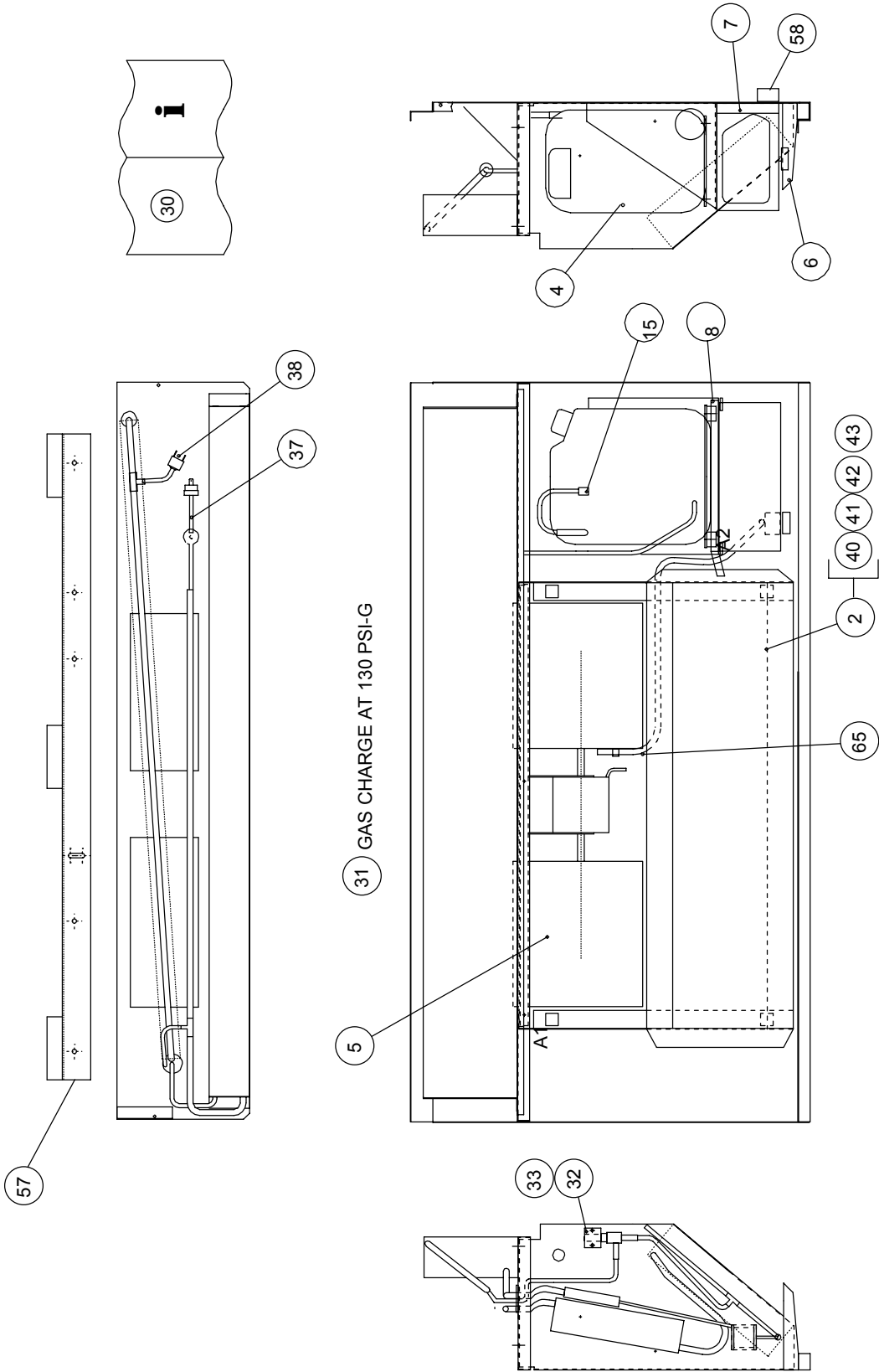
5



ASSY No SA390201 DH50(7)/60(7) FRIDGE/ELECT ASSY

ITEM NO.	PART No.	DESCRIPTION	QUAN	UNITS
2	SD140753	EVAP/COND ASSY DH50A	1	off
4	SD132653	COMPRESSOR HERM AJ5512C	1	off
5	SD378201	FAN ASSY	1	off
*6	SD140950	DRIP TRAY (EVAPORATOR)	1	off
7	SA144801	ELECT BOX ASSY DH55A	1	off
8	SD146850	DRIP TRAY (COMPRESSOR)	1	off
15	SD066350	SCHRADER VALVE	1	off
30	SD139451	OWNER INSTALLATION MANUAL	1	off
32	SD266450	SWITCH HIGH PRESSURE ACB-DB64	1	off
33	SP182554	REFRIGERANT R407c	0.75	kg
34	SD266550	LP SWITCH LCB-DA15	1	off
35	SD139152	EVAPORATOR	1	off
36	SD137850	CONDENSER	1	off
37	SD141250	DRIER HRP 274151	1	off
38	SD318250	CAPILLARY TUBE 0.052 I/D	2 X 0.94	m
57	SD141751	WALL BRACKET	1	off
58	D458450	ANTI VIBRATION BUFFER	2	off
VARIATION WHEN HUMIDISTAT OPTION FITTED AS ABOVE BUT DROP				
7	SA144801	ELECT BOX ASSY DH55A	1	off
AND FIT				
	SA144811	ELECT BOX ASSY DH55A + REMOTE STAT	1	off
* FOR MURPROTEC VERSIONS FIT				
	SD140951	DRIP TRAY (EVAPORATOR)	1	off

FRIDGE/ELEC ASSY DH50/60AX
SA64401102

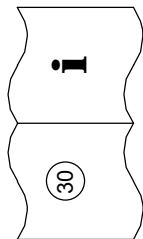
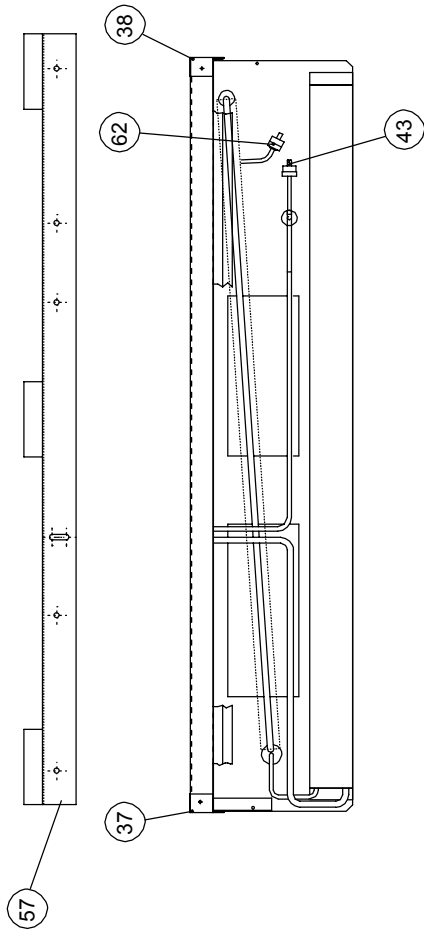


ASSY No SA401102 DH50(7)/60(7)AX FRIDGE/ELECT ASSY

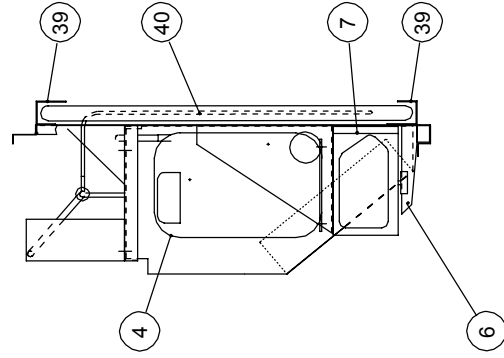
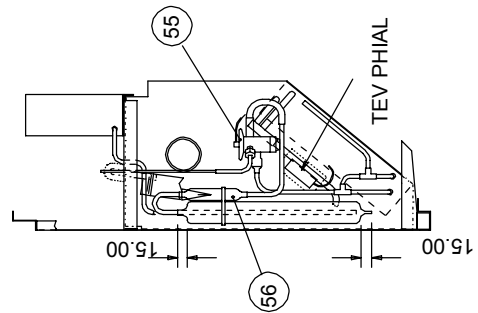
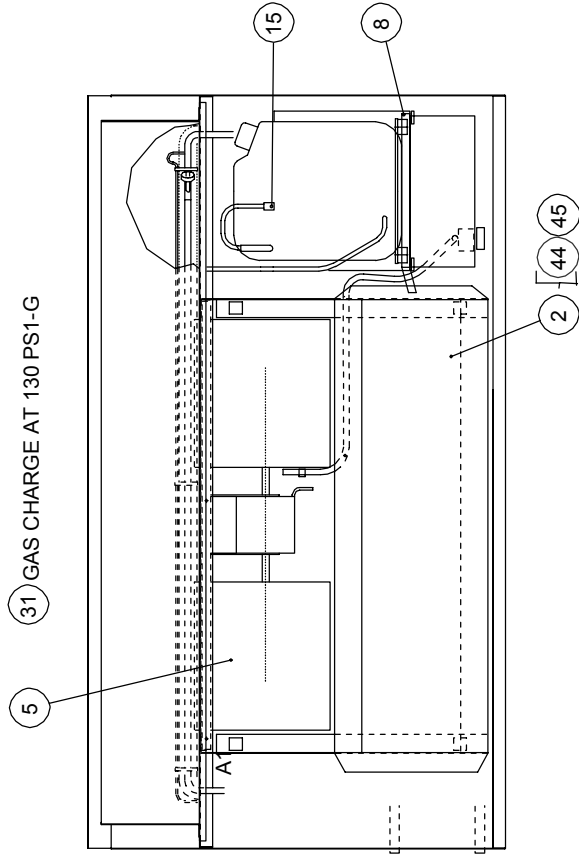
ITEM NO.	PART No.	DESCRIPTION	QUAN	UNITS
2	SD140754	EVAP COND ASSY DH50AX	1	off
4	SD132653	COMPRESSOR HERM AJ5512C	1	off
5	SD378201	FAN ASSY	1	off
*6	SD140950	DRIP TRAY (EVAPORATOR)	1	off
7	SA144802	ELECT BOX ASSY DH55AX	1	off
8	SD146850	DRIP TRAY (COMPRESSOR)	1	off
15	SD066350	SCHRADER VALVE	1	off
30	SD139451	OWNER INSTALLATION MANUAL	1	off
31	SP182554	REFRIGERANT R407c	0.8	kg
32	SD146150	SOLENOID VALVE	1	off
33	SD146250	SOLENOID COIL 240V	1	off
37	SD266450	SWITCH HIGH PRESSURE ACB-DB64	1	off
38	SD266550	LP SWITCH LCB-DA15	1	off
40	SD139151	EVAPORATOR	1	off
41	SD137850	CONDENSER	1	off
42	SD141250	DRIER HRP274151	1	off
43	SD318250	CAPILLARY TUBE 0.052 I/D	2 X 1.118	m
57	SD141751	WALL BRACKET	1	off
58	D458450	ANTI VIBRATION BUFFER	2	off
VARIATION WHEN HUMIDISTAT OPTION FITTED AS ABOVE BUT DROP				
7	SA144802	ELECT BOX ASSY DH55AX	1	off
AND FIT				
	SA144812	ELECT BOX ASSY DH55AX + REMOTE STAT	1	off
* FOR MURPROTEC VERSIONS FIT				
	SD140951	DRIP TRAY (EVAPORATOR)	1	off

FRIDGE/ELEC ASSY
DH50/60ARH

SA64252207



31 GAS CHARGE AT 130 PS1-G



ASSY No SA252207 DH50/60ARH FRIDGE/ELECT ASSY

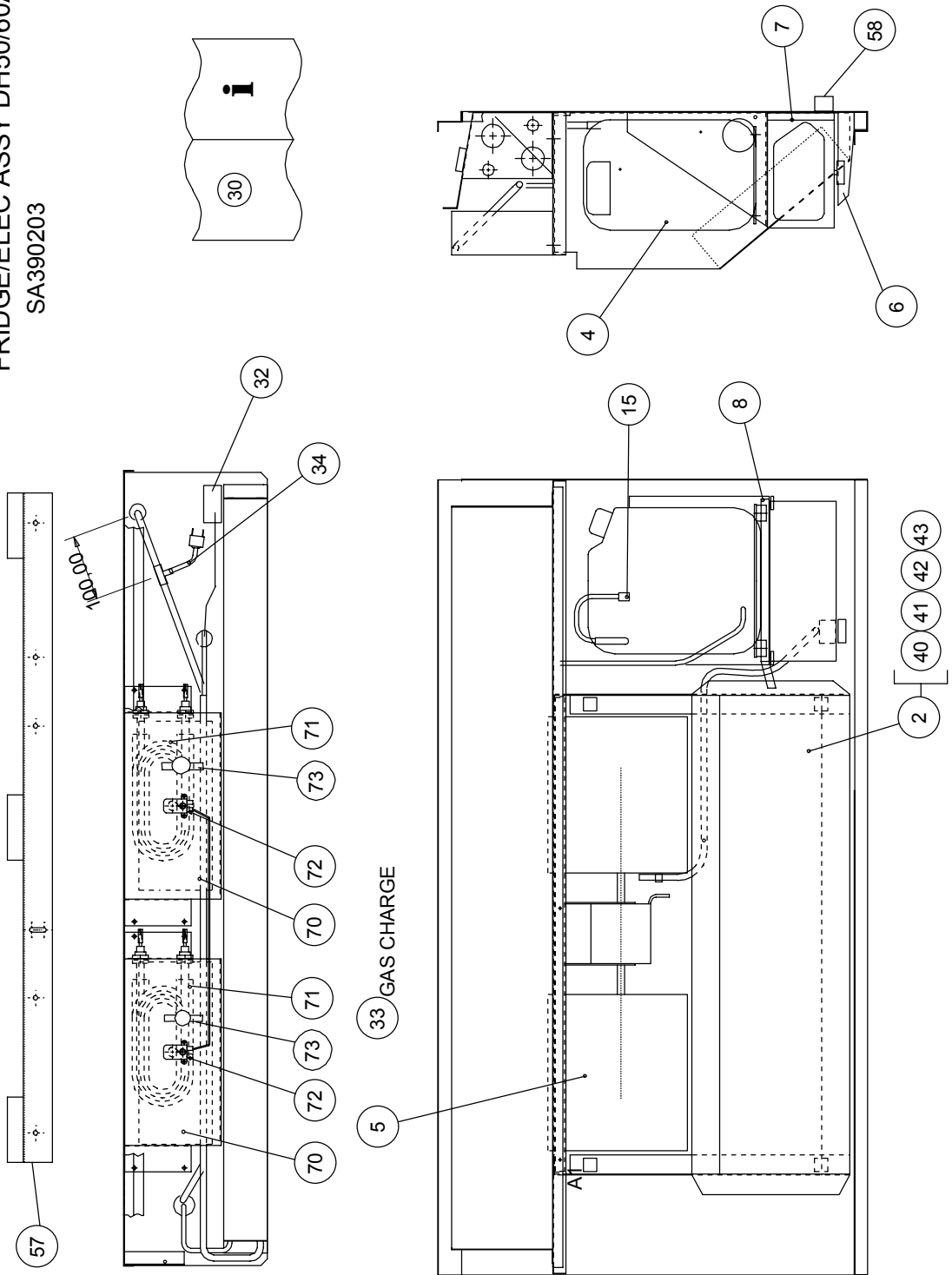
ITEM NO.	PART No.	DESCRIPTION	QUAN	UNITS
2	SA140752	EVAP/COND ASSY DH50ARH	1	off
4	SD132653	COMPRESSOR HERM AJ5512C	1	off
5	SD378201	FAN ASSY	1	off
6	SD140950	DRIP TRAY (EVAPORATOR)	1	off
7	SA144801	ELECT BOX ASSY DH55A	1	off
8	SD146850	DRIP TRAY (COMPRESSOR)	1	off
15	SD066350	SCHRADER VALVE	1	off
30	SD139451	OWNER INSTALLATION MANUAL	1	off
31	SP182554	REFRIGERANT R407c	1.64	kg
37	SD155750	BRACKET WATER COIL	1	off
38	SD155751	BRACKET WATER COIL	1	off
39	SD155650	BRACKET	2	off
40	SD168150	CONDENSER CO-AXIAL SERPENTINE	1	off
43	SD266450	SWITCH HIGH PRESSURE ACB-DB64	1	off
44	SD139150	EVAPORATOR	1	off
45	SD137850	CONDENSER	1	off
55	SD086751	EXPANSION VALVE INE-1.5GA	1	off
56	SD141250	DRIER HRP 274151	1	off
57	SD156050	WALL BRACKET (RH)	1	off
62	SD266550	LP SWITCH LCB-DA15	1	off

VARIATION WHEN HUMIDISTAT OPTION FITTED
AS ABOVE BUT DROP

7	SA144801	ELECT BOX ASSY DH55A	1	off
	AND FIT			
	SA144811	ELECT BOX ASSY DH55A + REMOTE STAT	1	off

* FOR MURPROTEC VERSIONS FIT

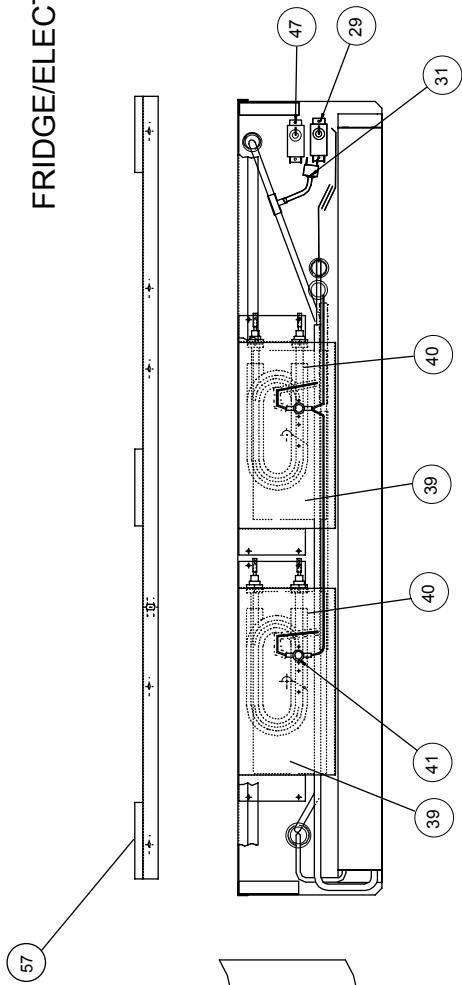
FRIDGE/ELEC ASSY DH50/60AP
SA390203



ASSY No SA390203 DH50(70/60(7)AP FRIDGE/ELECT ASSY

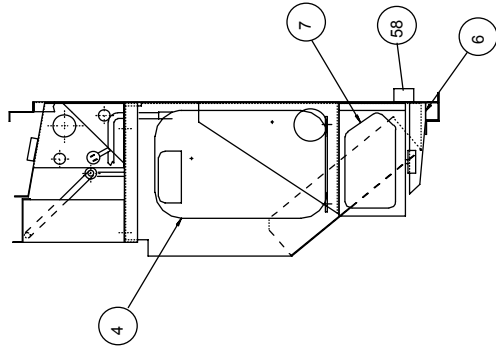
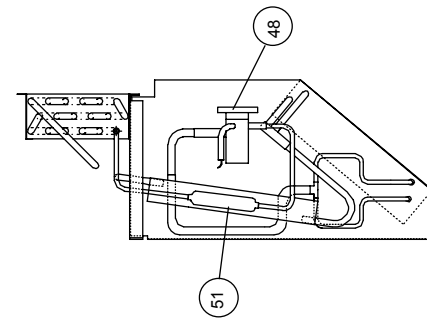
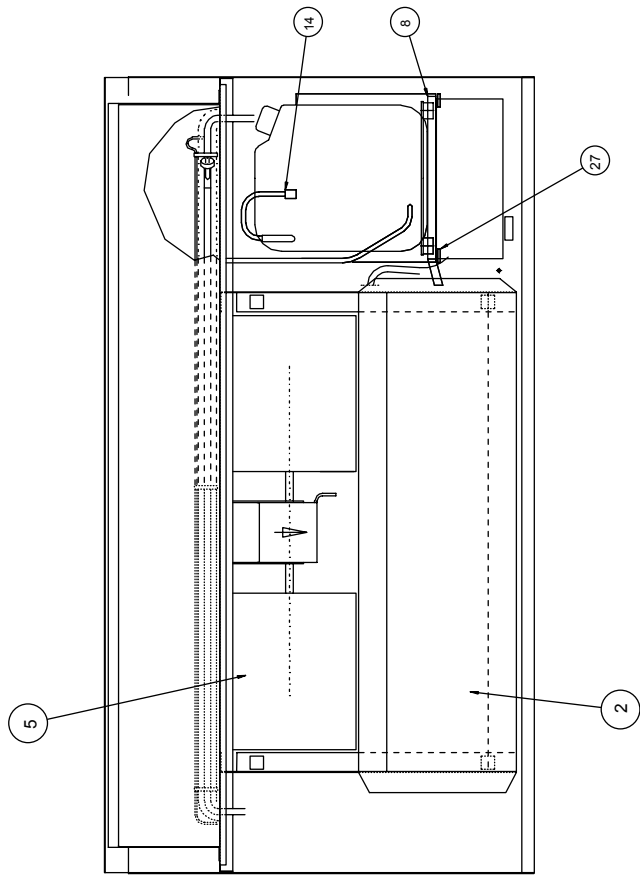
ITEM NO.	PART No.	DESCRIPTION	QUAN	UNITS
2	SD140753	EVAP/COND ASSY DH50A	1	off
4	SD132653	COMPRESSOR HERM AJ5512C	1	off
5	SD378201	FAN ASSY	1	off
*6	SD140950	DRIP TRAY (EVAPORATOR)	1	off
7	SA144808	ELECT BOX ASSY DH50AP	1	off
8	SD146850	DRIP TRAY (COMPRESSOR)	1	off
15	SD066350	SCHRADER VALVE	1	off
30	SD139451	OWNER INSTALLATION MANUAL	1	off
32	SD062553	HP SWITCH 400PSI	1	off
33	SP182554	REFRIGERANT R407c	0.75	kg
34	SD266550	LP SWITCH LCB-DA15	1	off
40	SD139152	EVAPORATOR	1	off
41	SD137850	CONDENSER	1	off
42	SD131250	DRIER HRP 274151	1	off
43	SD318250	CAPILLARY TUBE 0.052 I/D	2 X 0.94	m
57	SD141751	WALL BRACKET	1	off
58	D458450	ANTI VIBRATION BUFFER	2	off
70	SD362950	HEATER COVER	2	off
71	SD362850	AIR HEATER ELEMENT	2	off
72	SD103251	THERMAL CUTOUT AUTO RESET	2	off
73	SD103252	THERMAL CUTOUT MANUAL RESET	2	off
	SD229504	WEIR KIT (OPTIONAL)	1	off
* FOR MURPROTEC VERSIONS FIT				
	SD140951	DRIP TRAY (EVAPORATOR)	1	off

FRIDGE/ELECT ASSY DH60AHP (134a)
SA390204



HP SWITCH ---300 psi PINK SEAL (HEATERS)
HP SWITCH --- 400 psi BLUE SEAL (COMPRESSOR)

30 GAS CHARGE AT 130 PSIG



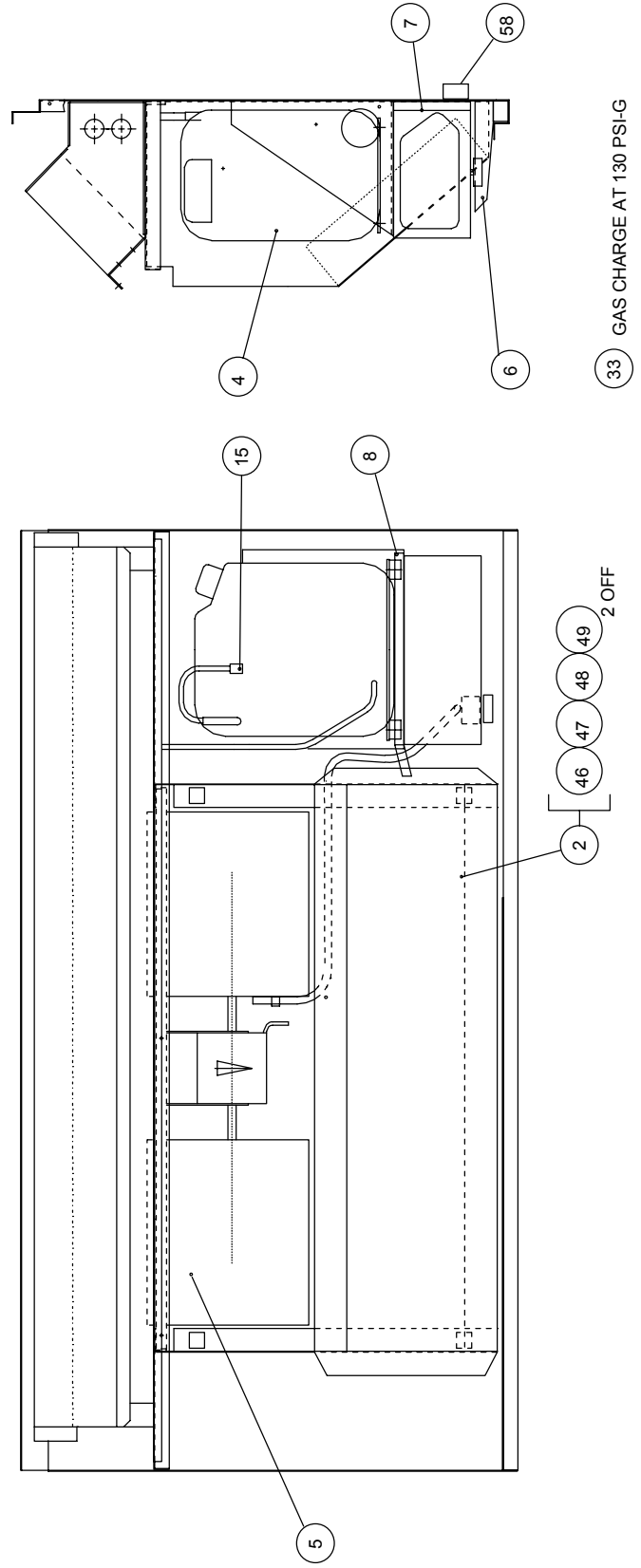
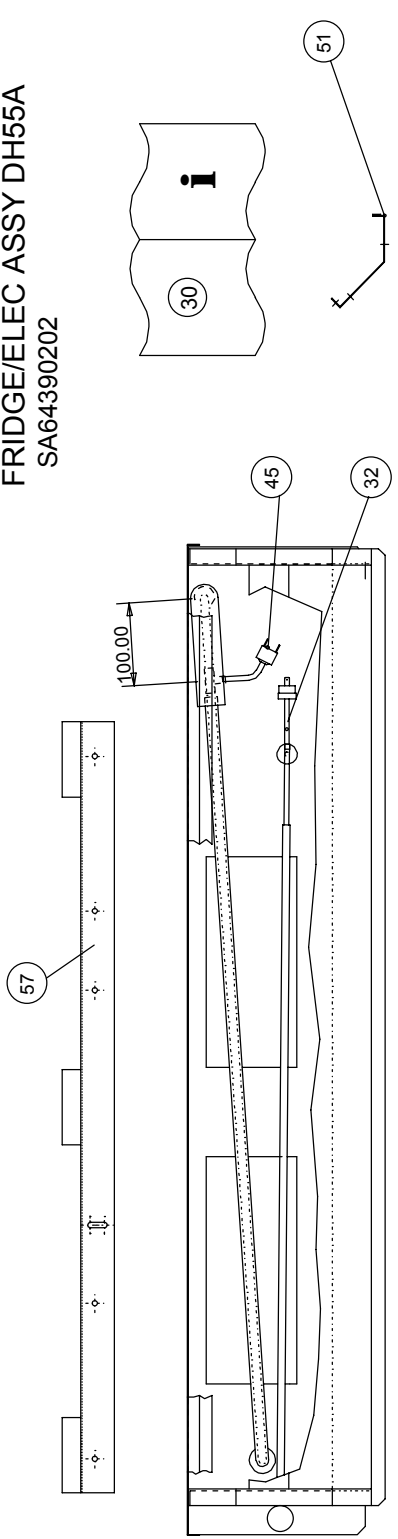
ASSY No SA390204 DH60AHP FRIDGE/ELECT ASSY

ITEM NO.	PART No.	DESCRIPTION	QUAN	UNITS
2	SA140752	EVAP/COND ASSY DH50ARH	1	off
4	SD132653	COMPRESSOR HERM AJ5512C	1	off
5	SD378202	FAN ASSY	1	off
*6	SD140950	DRIP TRAY	1	off
7	SD144810	ELECT BOX ASSY DH60AHP	1	off
8	SD146850	DRIP TRAY PLASTIC BLACK ABS	1	off
14	SD066350	SCHRADER VALVE	1	off
28	SD139451	OWNER INSTALLATION MANUAL	1	off
29	SD062553	HP SWITCH 400PSI	1	off
30	SP182555	REFRIGERANT R134a	0.8	kg
31	SD266550	LP SWITCH LCB-DA15	1	off
39	SD362950	HEATER COVER	2	off
40	SD362850	AIR HEATER ELEMENT	2	off
41	SD103252	THERMAL CUTOUT MANUAL RESET	2	off
47	SA062554	HP SWITCH 300PSI	1	off
48	SD447350	TEV EBF JE A CP60	1	off
51	SD141250	DRIER HRP 274151	1	off
57	SD141751	WALL BRACKET	1	off
58	D458450	ANTI VIBRATION BUFFER	2	off

* FOR MURPROTEC VERSIONS FIT

SD140951	DRIP TRAY (EVAPORATOR)	1	off
----------	------------------------	---	-----

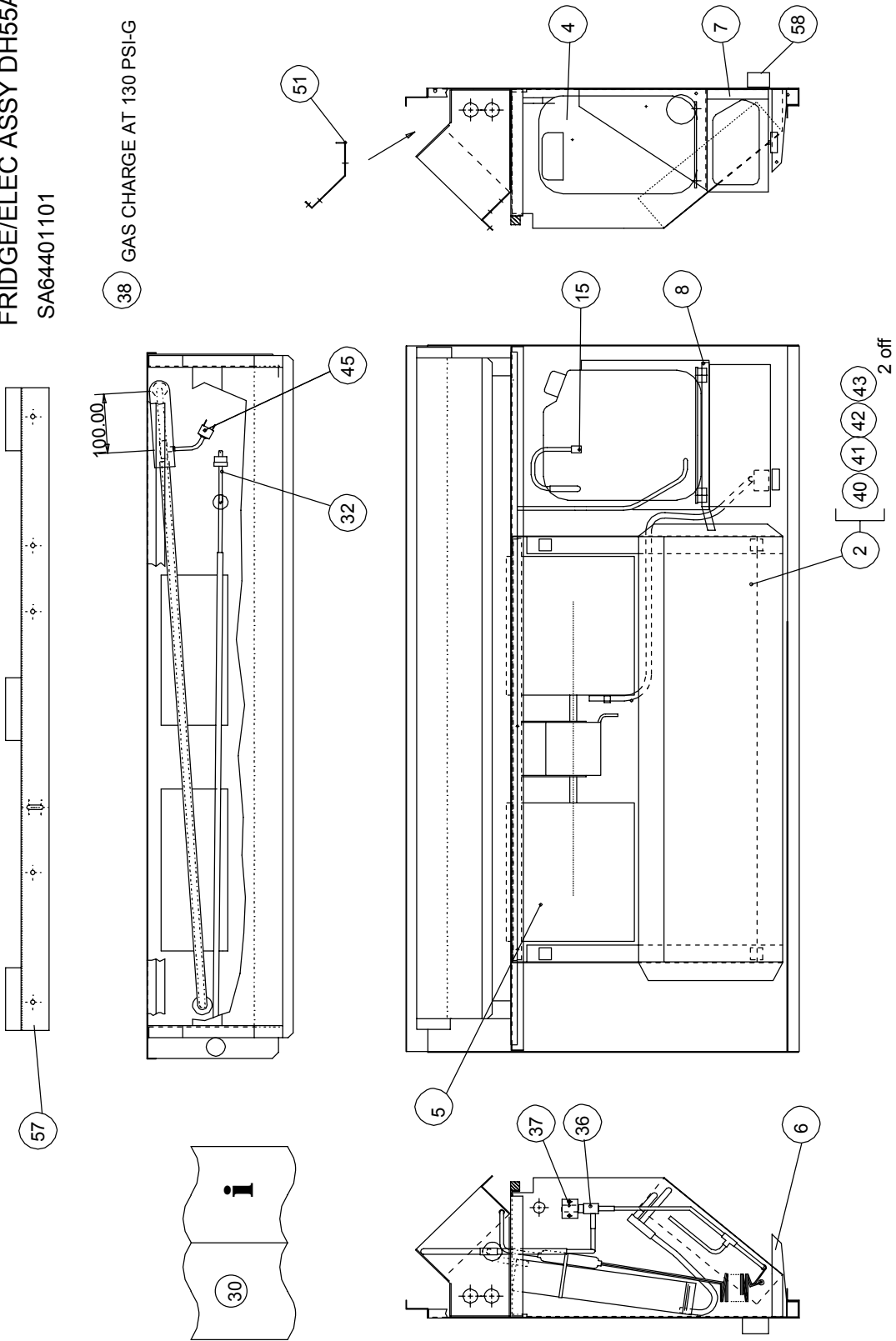
FRIDGE/ELEC ASSY DH55A
SA64390202



ASSY No SA390202 DH55(7)A FRIDGE/ELECT ASSY

ITEM NO.	PART No.	DESCRIPTION	QUAN	UNITS
2	SD140707	EVAP COND ASSY (R407C) DH55A	1	off
4	SD132653	COMPRESSOR HERM AJ5512C	1	off
5	SD378201	FAN ASSY	1	off
6	SD140950	DRIP TRAY (EVAPORATOR)	1	off
7	SA144801	ELECT BOX ASSY DH55A	1	off
8	SD146850	DRIP TRAY (COMPRESSOR)	1	off
15	SD066350	SCHRADER VALVE	1	off
30	SD139451	OWNER INSTALLATION MANUAL	1	off
32	SD266450	SWITCH HIGH PRESSURE ACB-DB64	1	off
33	SP182554	REFRIGERANT R407c	0.76	kg
45	SD266550	LP SWITCH LCB-DA15	2	off
46	SD139152	EVAPORATOR	1	off
47	SD137851	CONDENSER	1	off
48	SD141250	DRIER HRP 274151	1	off
49	SD318250	CAPILLARY TUBE 0.052I/D	2 X 0.889	m
51	SD264551	BLANKING PLATE DH33	1	off
57	SD141751	WALL BRACKET	1	off
58	D458450	ANTI VIBRATION BUFFER	2	off
VARIATION WHEN HUMIDISTAT OPTION FITTED AS ABOVE BUT DROP				
7	SA144801	ELECT BOX ASSY DH55A	1	off
AND FIT				
	SA144811	ELECT BOX ASSY DH55A + REMOTE STAT	1	off
* FOR MURPROTEC VERSIONS FIT				
	SD140951	DRIP TRAY (EVAPORATOR)	1	off

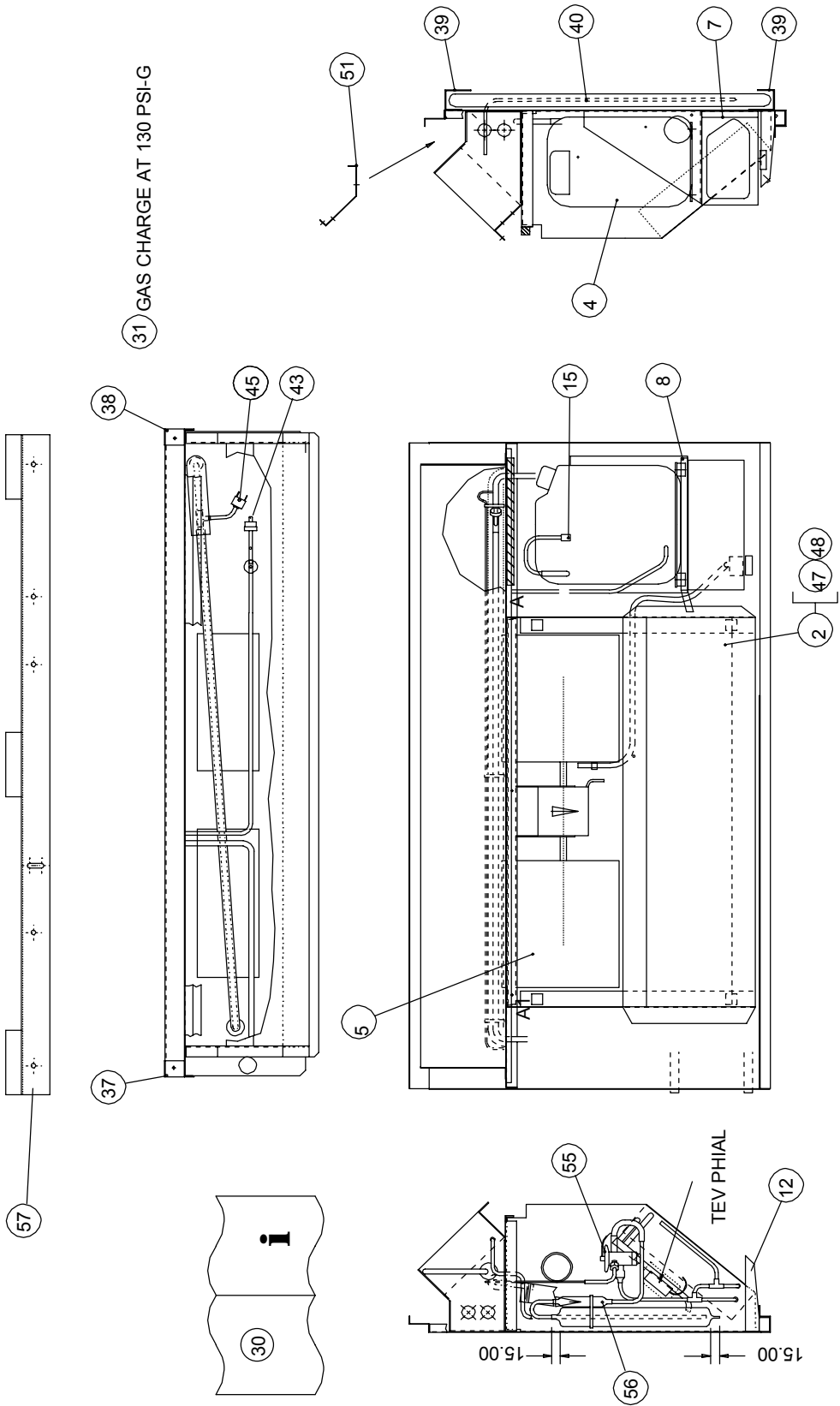
FRIDGE/ELEC ASSY DH55AX
SA64401101



ASSY No SA401101 DH55(7)AX FRIDGE/ELECT ASSY

ITEM NO.	PART No.	DESCRIPTION	QUAN	UNITS
2	SD140708	EVAP/COND ASSY DH55AX	1	off
4	SD132653	COMPRESSOR HERM AJ5512C	1	off
5	SD378201	FAN ASSY	1	off
6	SD140950	DRIP TRAY (EVAPORATOR)	1	off
7	SA144802	ELECT BOX ASSY DH55AX	1	off
8	SD146850	DRIP TRAY (COMPRESSOR)	1	off
15	SD066350	SCHRADER VALVE	1	off
30	SD139451	OWNER INSTALLATION MANUAL	1	off
32	SD266450	SWITCH HIGH PRESSURE ACB-DB64	1	off
36	SD146150	SOLENOID VALVE	1	off
37	SD146250	COIL 240V	1	off
38	SP182554	REFRIGERANT R407c	0.76	kg
40	SD139151	EVAPORATOR	1	off
41	SD137851	CONDENSER	1	off
42	SD141250	DRIER HRP 274151	1	off
43	SD318250	CAPILLARY TUBE 0.052 I/D	2 X 1.118	m
45	SD266550	LP SWITCH LCB-DA15	2	off
51	SD264551	BLANKING PLATE DH50	1	off
57	SD141751	WALL BRACKET	1	off
58	D458450	ANTI VIBRATION BUFFER	2	off
VARIATION WHEN HUMIDISTAT OPTION FITTED AS ABOVE BUT DROP				
7	SA144802	ELECT BOX ASSY DH55AX	1	off
AND FIT				
	SA144812	ELECT BOX ASSY DH55AX + REMOTE STAT	1	off
* FOR MURPROTEC VERSIONS FIT				
	SD140951	DRIP TRAY (EVAPORATOR)	1	off

FRIDGE/ELEC ASSY DH55ARH
SA64252216

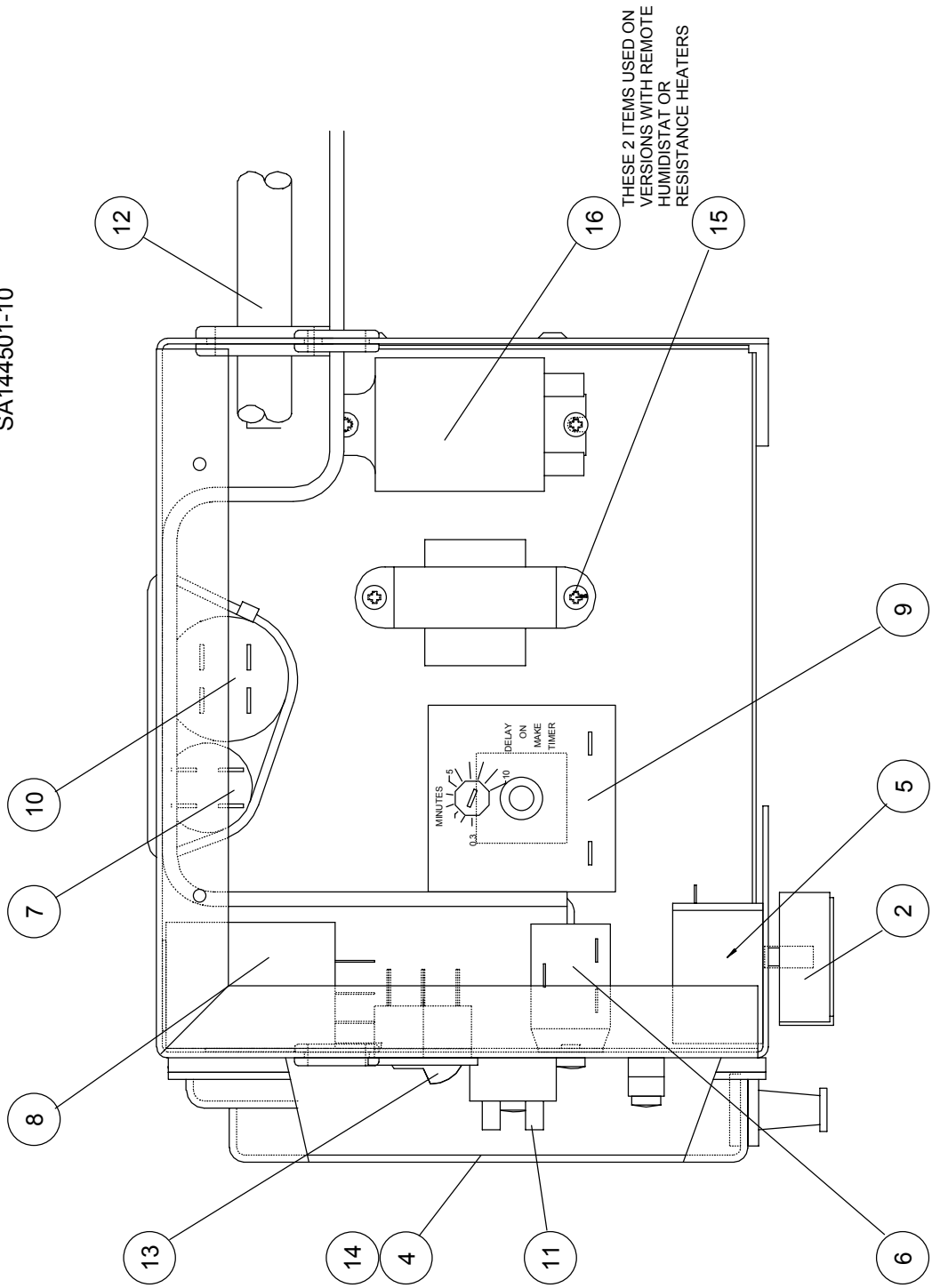


ASSY No SA252216 DH55ARH FRIDGE/ELECT ASSY

ITEM NO.	PART No.	DESCRIPTION	QUAN	UNITS
2	SA140706	EVAP/COND ASSY DH55ARH	1	off
4	SD132653	COMPRESSOR HERM AJ5512C	1	off
5	SD378201	FAN ASSY	1	off
*6	SD140950	DRIP TRAY (EVAPORATOR)	1	off
7	SA144801	ELECT BOX ASSY DH55A	1	off
8	SD146850	DRIP TRAY (COMPRESSOR)	1	off
15	SD066350	SCHRADER VALVE	1	off
30	SD139451	OWNER INSTALLATION MANUAL	1	off
31	SP182554	REFRIGERANT R407c	1.64	kg
37	SD155750	BRACKET WATER COIL	1	off
38	SD155751	BRACKET WATER COIL	1	off
39	SD155650	BRACKET	2	off
40	SD168150	CONDENSER CO-AXIAL SERPENTINE	1	off
43	SD266450	SWITCH HIGH PRESSURE ACB-DB64	1	off
45	SD266550	LP SWITCH LCB-DA15	1	off
51	SD264551	BLANKING PLATE DH50	1	off
55	SD086751	EXPANSION VALVE INE-1.5GA	1	off
56	SD141250	DRIER HRP 274151	1	off
57	SD156050	WALL BRACKET DH50(RH)	1	off
VARIATION WHEN HUMIDISTAT OPTION FITTED AS ABOVE BUT DROP				
7	SA144801	ELECT BOX ASSY DH55A	1	off
AND FIT				
	SA144811	ELECT BOX ASSY DH55A + REMOTE STAT	1	off
* FOR MURPROTEC VERSIONS FIT				
	SD140951	DRIP TRAY (EVAPORATOR)	1	off

ELEC BOX ASSY DH30/30(7)/33/33(7) RANGE

SA144501-10



ELEC BOX ASSY DH30/30(7)/33/33(7)A-ARH

SA144501

2	SD041450	CONTROL KNOB	1.000
4	SD349350	GASKET	1.000
5	SD062350	HUMIDISTAT	1.000
6	SD118351	DEFROST STAT	1.000
7	SD106550	FAN CAP 2 μ F	1.000
8	SD219250	RELAY C/O 2 POLE 25A 230V AC COIL	1.000
9	SD089550	TIMER	1.000
10	SD038750	RUN CAP 15 μ F	1.000
11	SD072851	3 WAY TERM' BLOCK	1.000
12	SA145901	LOOM ASSY	1.000
13	SD188950	ROCKER SWITCH	1.000
14	D211050	COVER	1.000

ELEC BOX ASSY DH30/30(7)/33/33(7)A-ARH

WITH REMOTE HUMIDISTAT

SA144509

2	SD041450	CONTROL KNOB	1.000
4	SD349350	GASKET	1.000
5	SD062350	HUMIDISTAT	1.000
6	SD118351	DEFROST STAT	1.000
7	SD106550	FAN CAP 2 μ F	1.000
8	SD219250	RELAY C/O 2 POLE 25A 230V AC COIL	1.000
9	SD089550	TIMER	1.000
10	SD038750	RUN CAP 15 μ F	1.000
11	SD072853	5 WAY TERMINAL BLOCK 15A	1.000
12	SA145903	LOOM ASSY	1.000
13	SD188950	ROCKER SWITCH	1.000
14	D211050	COVER	1.000
15	SD336550	TRANSFORMER 12V	1.000
16	SD378350	RELAY 25A C/O 12V	1.000

ELEC BOX ASSY DH30/30(7)/33/33(7)AX

SA144502

2	SD041450	CONTROL KNOB	1.000
4	SD349350	GASKET	1.000
5	SD062350	HUMIDISTAT	1.000
6	SA145803	TIMER DEFROST STAT	1.000
7	SD106550	FAN CAP 2 μ F	1.000
8	SD219250	RELAY C/O 2 POLE 25A 230V AC COIL	1.000
9	SD089550	TIMER	1.000
10	SD038750	RUN CAP 15 μ F	1.000
11	SD072851	3 WAY TERM' BLOCK	1.000
12	SA146401	LOOM ASSY	1.000
13	SD188950	ROCKER SWITCH	1.000
14	D211050	COVER	1.000

ELEC BOX ASSY DH30/30(7)/33/33(7)AX

WITH REMOTE HUMIDISTAT

SA144510

2	SD041450	CONTROL KNOB	1.000
4	SD349350	GASKET	1.000
5	SD062350	HUMIDISTAT	1.000
6	SA145803	TIMER DEFROST STAT	1.000
7	SD106550	FAN CAP 2 μ F	1.000
8	SD219250	RELAY C/O 2 POLE 25A 230V AC COIL	1.000
9	SD089550	TIMER	1.000
10	SD038750	RUN CAP 15 μ F	1.000
11	SD072653	5 WAY TERM' BLOCK 15A	1.000
12	SA146403	LOOM ASSY	1.000
13	SD188950	ROCKER SWITCH	1.000
14	D211050	COVER	1.000
15	SD336550	TRANSFORMER 12V	1.000
16	SD378350	RELAY 25A C/O 12V	1.000

ELEC BOX ASSY DH30/30(7)AP
SA144507

2	SD041450	CONTROL KNOB	1.000
4	SD349350	GASKET	1.000
5	SD062350	HUMIDISTAT	1.000
6	SD118351	DEFROST STAT	1.000
7	SD106550	FAN CAP 2 μ F	1.000
8	SD219250	RELAY C/O 2 POLE 25A 230vac COIL	1.000
9	SD089550	TIMER	1.000
10	SD038750	RUN CAP 15 μ F	1.000
11	SD072650	6 WAY TERM' BLOCK	1.000
12	SA145902	LOOM ASSY	1.000
13	SD188950	ROCKER SWITCH	1.000
14	D211050	COVER	1.000
15	SA336550	TRANSFORMER 12v	1.000
16	SD378350	RELAY C/O 25A 12v COIL	1.000

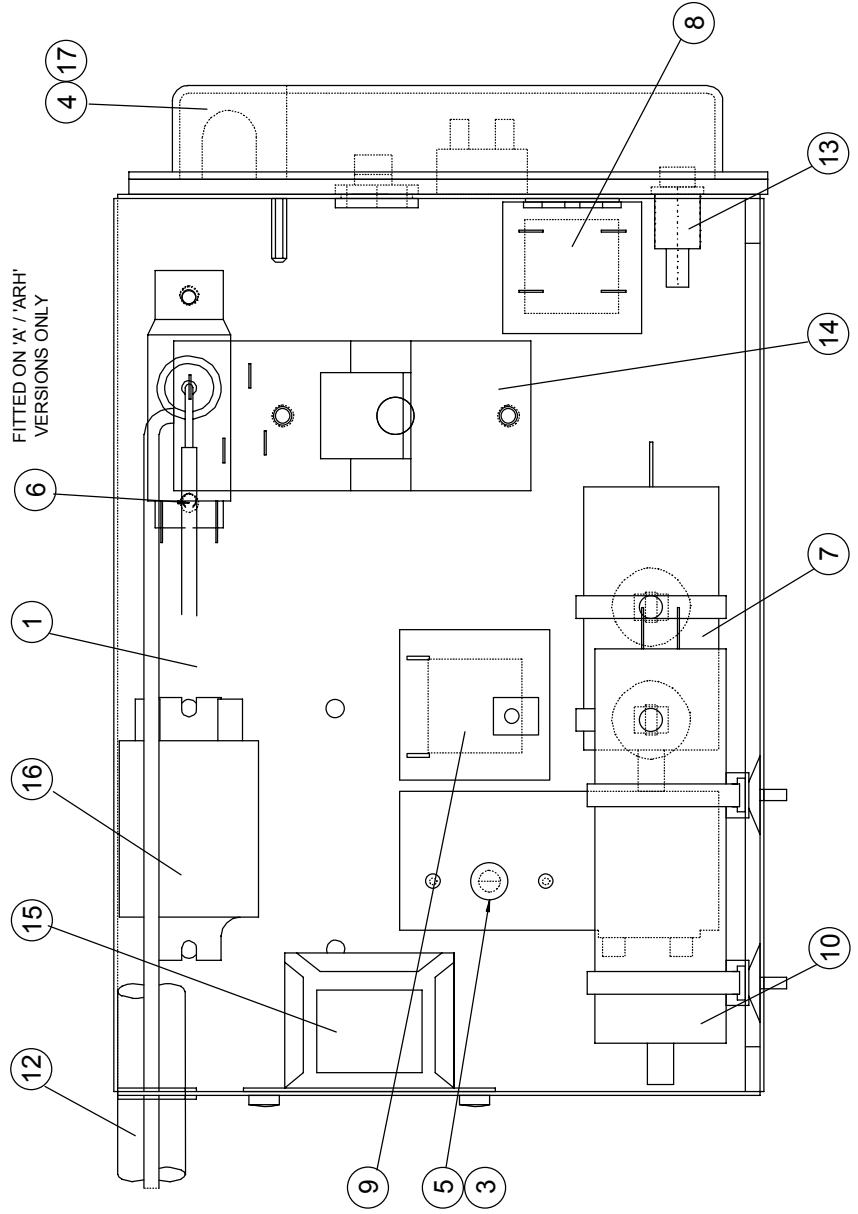
ELEC BOX ASSY DH30/30(7)AXP
SA144508

2	SD041450	CONTROL KNOB	1.000
4	SD349350	GASKET	1.000
5	SD062350	HUMIDISTAT	1.000
6	SA145803	TIMER DEFROST STAT	1.000
7	SD106550	FAN CAP 2 μ F	1.000
8	SD219250	RELAY C/O 2 POLE 25A 230vac COIL	1.000
9	SD089550	TIMER	1.000
10	SD038750	RUN CAP 15 μ F	1.000
11	SD072650	6 WAY TERM' BLOCK	1.000
12	SA146402	LOOM ASSY	1.000
13	SD188950	ROCKER SWITCH	1.000
14	D211050	COVER	1.000
15	SA336550	TRANSFORMER 12v	1.000
16	SD378350	RELAY C/O 25A 12v COIL	1.000

ELEC BOX ASSY DH50/50(7)/55/55(7)/60/60(7) RANGE

SA64144801 TO
09,11 AND 12

THESE 2 ITEMS USED ON VERSIONS
VERSIONS WITH RESISTANCE HEATERS OR
REMOTE HUMIDISTATS



FITTED ON 'A' / 'ARH'
VERSIONS ONLY

FITTED ON 'AX'
VERSION ONLY

ELEC BOX ASSY DH50/50(7)/55/55(7)/60/60(7)A-ARH
SA144801

1	SD139750	ELECTRICS BOX	1.000
3	SD041450	CONTROL KNOB	1.000
4	SD349351	GASKET	1.000
5	SD062350	HUMIDISTAT	1.000
6	SD118351	DEFROST STAT	1.000
7	SD022150	FAN CAP 6 μ F	1.000
8	SD092151	RELAY	1.000
9	SD089550	TIMER	1.000
10	SD038750	RUN CAP 15 μ F (R407c version)	1.000
11	SD072851	3 WAY TERM' BLOCK	1.000
12	SA146001	LOOM ASSY	1.000
13	SD188950	ROCKER SWITCH	1.000
17	SD219350	COVER	1.000

ELEC BOX ASSY DH50/50(7)/55/55(7)/60/60(7)A-ARH
WITH REMOTE HUMIDISTAT
SA144811

1	SD139750	ELECTRICS BOX	1.000
3	SD041450	CONTROL KNOB	1.000
4	SD349351	GASKET	1.000
5	SD062350	HUMIDISTAT	1.000
6	SD118351	DEFROST STAT	1.000
7	SD022150	FAN CAP 6 μ F	1.000
8	SD092151	RELAY	1.000
9	SD089550	TIMER	1.000
10	SD038750	RUN CAP 15 μ F	1.000
11	SD072853	5 WAY TERM' BLOCK	1.000
12	SA146002	LOOM ASSY	1.000
13	SD188950	ROCKER SWITCH	1.000
15	SD336550	TRANSFORMER 12V	1.000
16	SD378350	RELAY 25A C/O 12V	1.000
17	SD219350	COVER	1.000

ELEC BOX ASSY DH50/50(7)/55/55(7)/60/60(7)AX
SA144802

1	SD139750	ELECTRICS BOX	1.000
3	SD041450	CONTROL KNOB	1.000
4	SD349351	GASKET	1.000
5	SD062350	HUMIDISTAT	1.000
7	SD022150	FAN CAP 6 μ F	1.000
8	SD092151	RELAY	1.000
9	SD089550	TIMER	1.000
10	SD038750	RUN CAP 15 μ F	1.000
11	SD072851	3 WAY TERM' BLOCK	1.000
12	SA146501	LOOM ASSY	1.000
13	SD188950	ROCKER SWITCH	1.000
14	SD145803	TIMER / DEFROST STAT	1.000
17	D219350	COVER	1.000

ELEC BOX ASSY DH50/50(7)/55/55(7)/60/60(7)AX
WITH REMOTE HUMIDISTAT
SA144812

1	SD139750	ELECTRICS BOX	1.000
3	SD041450	CONTROL KNOB	1.000
4	SD349351	GASKET	1.000
5	SD062350	HUMIDISTAT	1.000
7	SD022150	FAN CAP 6 μ F	1.000
8	SD64092151	RELAY	1.000
9	SD089550	TIMER	1.000
10	SD038750	RUN CAP 15 μ F	1.000
11	SD072851	3 WAY TERM' BLOCK	1.000
12	SA146503	LOOM ASSY	1.000
13	SD188950	ROCKER SWITCH	1.000
14	SD145803	TIMER / DEFROST STAT	1.000
15	SD336550	TRANSFORMER 12V	1.000
16	SD378350	RELAY 25A C/O 12V	1.000
17	D219350	COVER	1.000

ELEC BOX ASSY DH50/50(7)/60/60(7)AP
SA144808

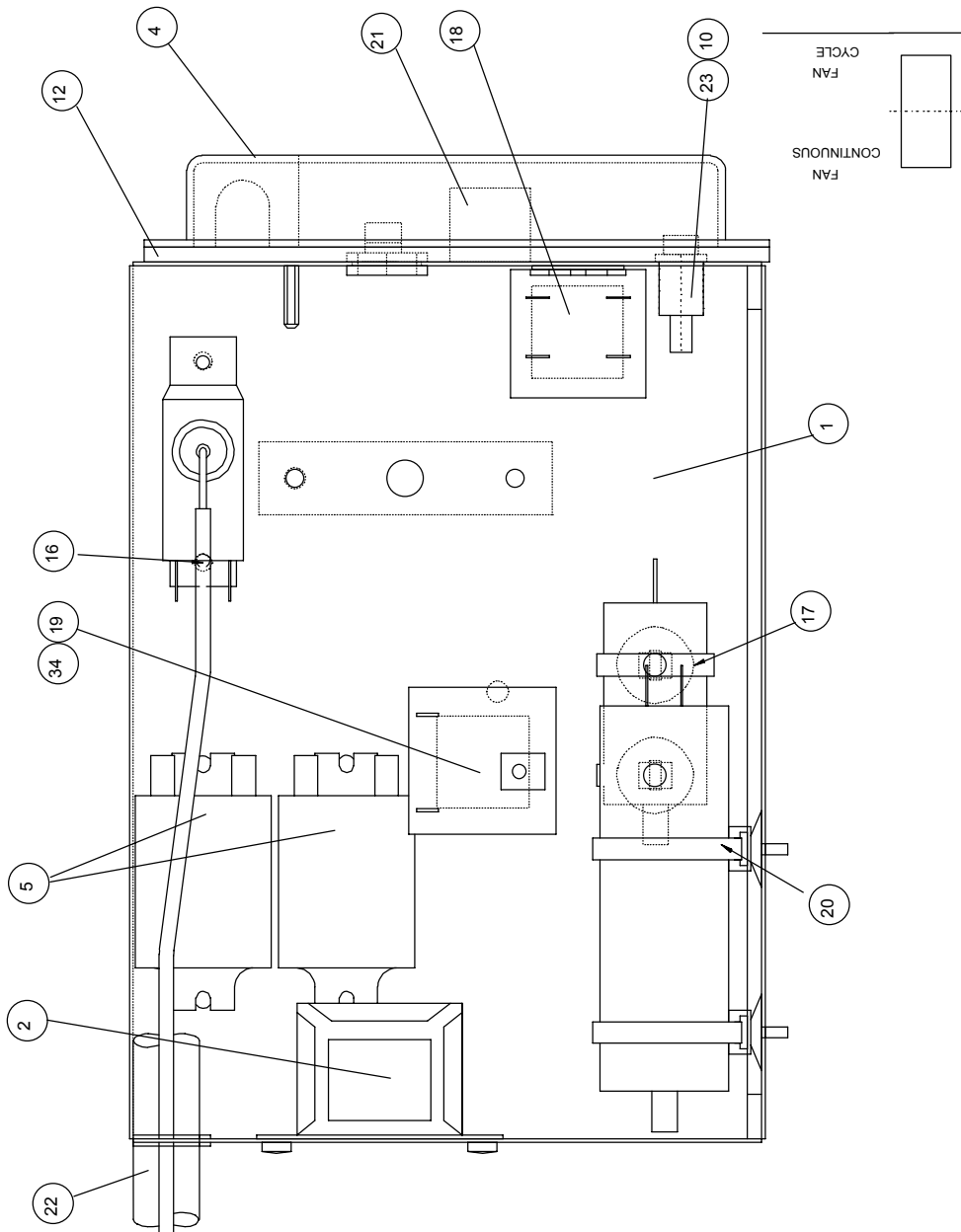
1	SD139750	ELECTRICS BOX	1.000
3	SD041450	CONTROL KNOB	1.000
4	SD349351	GASKET	1.000
5	SD062350	HUMIDISTAT	1.000
6	SD118351	DEFROST STAT	1.000
7	SD022150	FAN CAP 6 μ F	1.000
8	SD092151	RELAY	1.000
9	SD089550	TIMER	1.000
10	SD038750	RUN CAP 15 μ F	1.000
11	SD072650	6 WAY TERM' BLOCK	1.000
12	SA146003	LOOM ASSY	1.000
13	SD188950	ROCKER SWITCH	1.000
15	SA336550	TRANSFORMER 12v	1.000
16	SD378350	RELAY C/O 25A 12v COIL	1.000
17	D219350	COVER	1.000

ELEC BOX ASSY DH50/50(7)/60/60(7)AXP
SA144809

1	SD139750	ELECTRICS BOX	1.000
3	SD041450	CONTROL KNOB	1.000
4	SD349351	GASKET	1.000
5	SD062350	HUMIDISTAT	1.000
7	SD022150	FAN CAP 6 μ F	1.000
8	SD092151	RELAY	1.000
9	SD089550	TIMER	1.000
10	SD038750	RUN CAP 15 μ F	1.000
11	SD072650	6 WAY TERM' BLOCK	1.000
12	SA146502	LOOM ASSY	1.000
13	SD188950	ROCKER SWITCH	1.000
14	SD145803	TIMER/DEFROST STAT	1.000
15	SA336550	TRANSFORMER 12v	1.000
16	SD378350	RELAY C/O 25A 12v COIL	1.000
17	D219350	COVER	1.000

ELECTRIC BOX ASSEMBLY DH60AHP

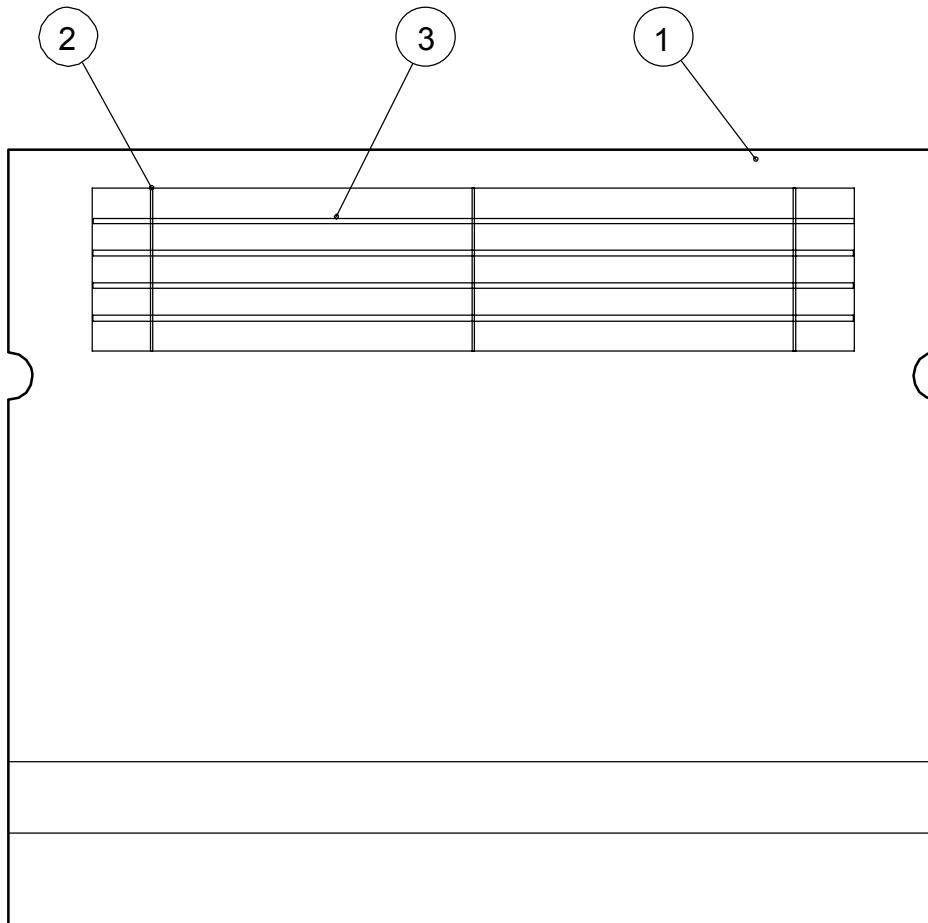
SA144810



ASSY No SA144810 AT ISS 4 (15/09/2011). ELECTRIC BOX ASSY DH60AHP

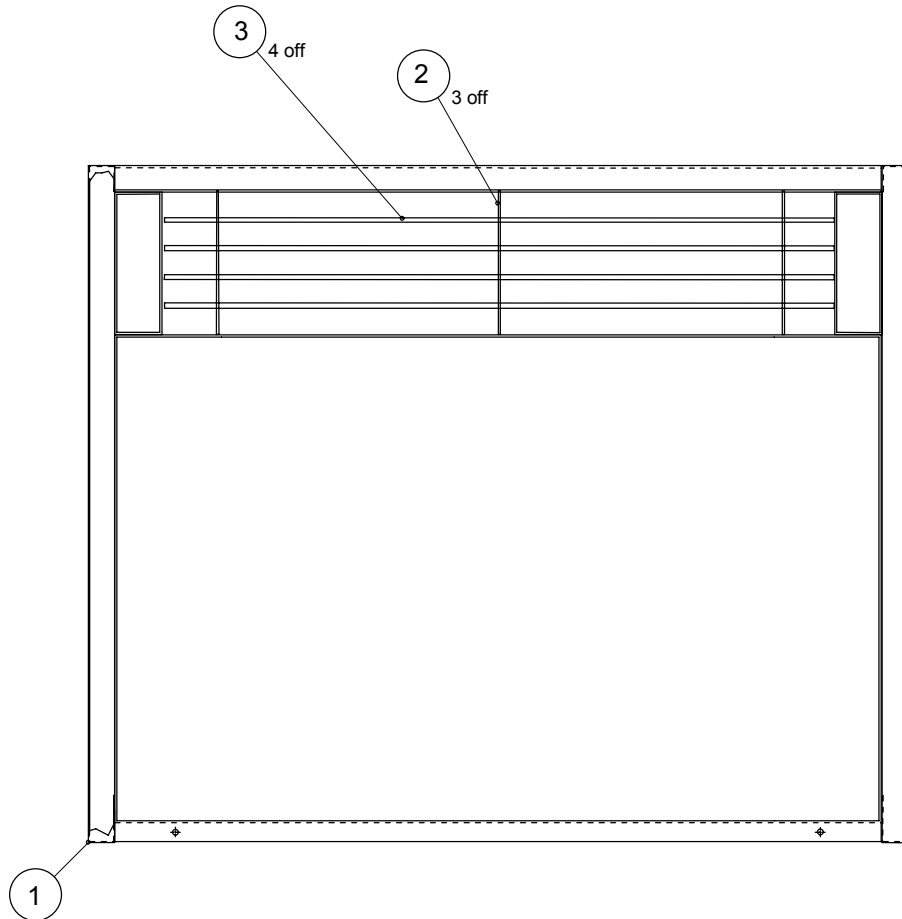
ITEM NO.	PART No.	DESCRIPTION	QUAN	UNITS
1	SD139750	ELECTRIC BOX	1	off
2	SD336551	TRANSFORMER 12V 12VA	1	off
4	SD219350	COVER	1	off
5	SD378350	RELAY 25A C/O 12V COIL	2	off
10	SD189050	LABEL ROCKER SWITCH	1	off
12	SD349351	GASKET FOR COVER	1	off
16	SD118351	THERMOSTAT PRESET	1	off
17	SD382450	CAPACITOR 5uF 440V 50/60Hz	1	off
18	SD092151	RELAY N/O 1POLE 30A 230V AC COIL	1	off
19	SD089550	DELAY TIMER 7 SEC TO 9 MIN	1	off
20	SD038750	CAPACITOR RUN CAP 15uF+/-5% 400V	1	off
21	SD072650	TERMINAL BLOCK 6 WAY	1	off
22	SA146004	DH60AHP LOOM ASSY	1	off
23	SD188950	ROCKER SWITCH 1 POLE C/O	1	off
34	SP147450	DOUBLE SIDED ADHESIVE PAD 25mm	3	off

DH30/30(7) GRP COVER ASSY SA223101



ITEM	PART No	DESCRIPTION :-	QUANTITY
1	D140050	COVER GRP	1
2	D139550	LOUVRE SUPPORT (HONEYSUCKLE)	3
3	D141650	LOUVRE (HONEYSUCKLE)	4

DH30/30(7) METAL COVER ASSY'S.
SEE PARTS LISTS



DH30 /37 PLASTISOL COVER ASSY SA210801 :-

ITEM	PART No	DESCRIPTION	QUANTITY
1	D163601	COVER PLASTISOL GREY	1
2	D139551	LOUVRE SUPPORT GREY	3
3	D141652	LOUVRE GREY	4

DH30 /37 STAINLESS STEEL COVER ASSY SA210802 :-

ITEM	PART No	DESCRIPTION	QUANTITY
1	D163602	COVER STAINLESS STEEL	1
2	D139552	LOUVRE SUPPORT ALUMINIUM	3
3	D141654	LOUVRE ALUMINIUM	4

DH33/33(7) GRP COVER ASSY'S
SEE PARTS LISTS

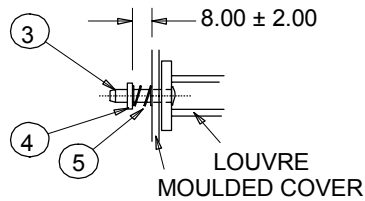
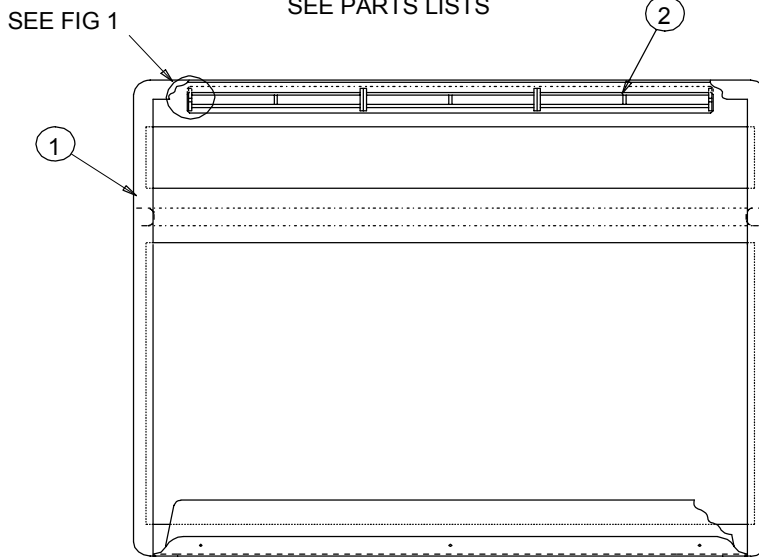


FIG 1.

LOUVRE IS FIXED TO COVER WITH FIXING PIN ITEM 3
AND HELD IN POSN' WITH SPRING ITEM 5 AND PUSH NUT ITEM 4.
TO DIM' AS SHOWN.(IN 2 POSNS)

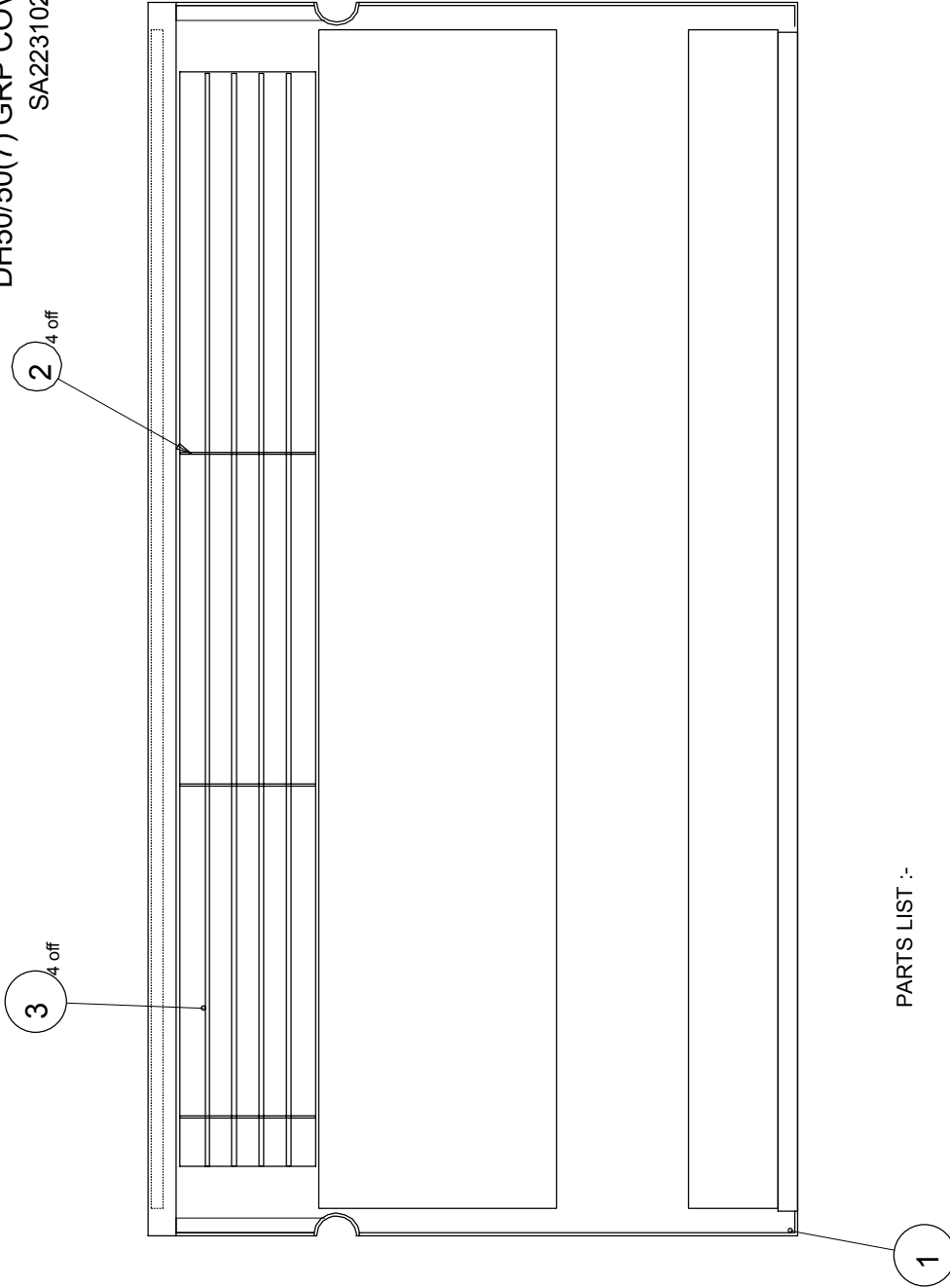
COVER ASSY HONEY BEIGE SA223103 :-

ITEM	PART No	DESCRIPTION	QUANTITY
1	SD263050	MOULDED COVER	1
2	SD264201	LOUVRE ASSY (3 LOUVRES)	1
3	SD264450	MOULDED FIXING PIN	2
4	SD279550	PUSH NUT	2
5	SD284550	COMPRESSION SPRING	2

COVER ASSY WHITE SA223105 :-

ITEM	PART No	DESCRIPTION	QUANTITY
1	SD263052	MOULDED COVER	1
2	SD264203	LOUVRE ASSY (3 LOUVRES)	1
3	SD264451	MOULDED FIXING PIN	2
4	SD279550	PUSH NUT	2
5	SD284550	COMPRESSION SPRING	2

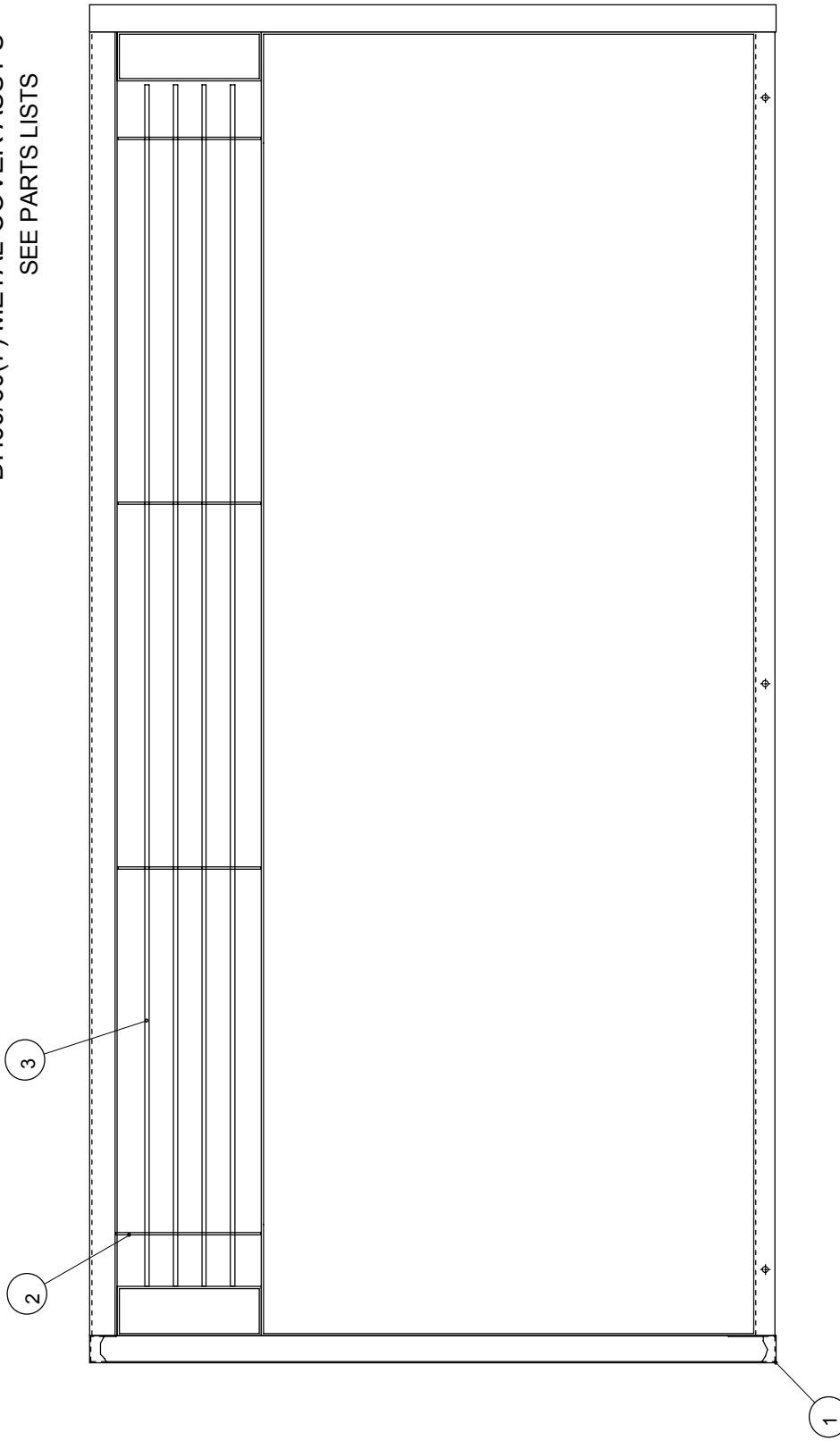
DH50/50(7) GRP COVER ASSY
SA223102



PARTS LIST :-

ITEM	PART No	DESCRIPTION	QUANTITY
1	D140350	GRP COVER	1
2	D139550	LOUVRE SUPPORT HONEYSUCKLE	4
3	D141651	LOUVRE HONEYSUCKLE	4

DH60/60(7) METAL COVER ASSY'S
SEE PARTS LISTS



DH60/60(7) PLASTISOL COVER ASSY SA210803 :-

ITEM	PART No	DESCRIPTION	QUANTITY
1	D166001	COVER PLASTISOL GREY	1
2	D139551	LOUVRE SUPPORT GREY	4
3	D141653	LOUVRE GREY	4

DH60/60(7) STAINLESS STEEL COVER SA64210804 :-

ITEM	PART No	DESCRIPTION	QUANTITY
1	D166002	COVER STAINLESS STEEL	1
2	D139552	LOUVRE SUPPORT ALUMINIUM	4
3	D141655	LOUVRE ALUMINIUM	4

DH55/55(7) GRP COVER ASSY'S
SEE PARTS LISTS

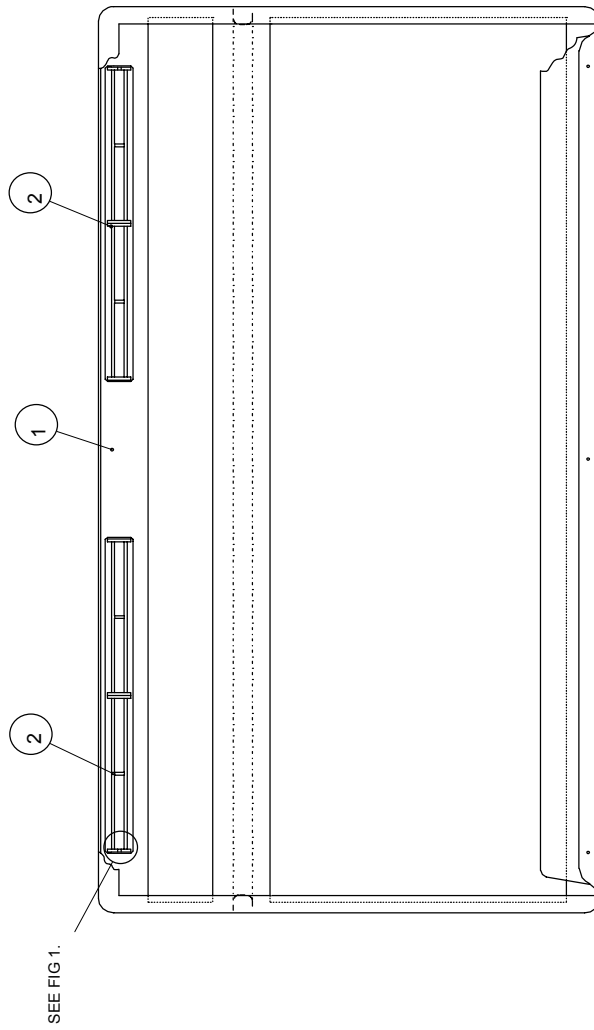


FIG 1.
LOUVRE IS FIXED TO COVER WITH FIXING PIN ITEM 3 AND HELD IN POSN WITH SPRING ITEM 5 AND PUSH NUT ITEM 4 TO DIM' AS SHOWN.(IN 4 POSNS)

COVER ASSY HONEYBEIGE SA223107 :-

ITEM	PART No	DESCRIPTION	QUANTITY	ITEM	DESCRIPTION	QUANTITY
1	SD263060	MOULDED COVER HONEY BEIGE	1	1	MOULDED COVER WHITE	1
2	SD264205	LOUVRE ASSY HONEY BEIGE (2 LOUVRES)	2	2	LOUVRE ASSY WHITE (2 LOUVRES)	2
3	SD264450	FIXING PIN	2	3	FIXING PIN	2
4	SD279550	PUSH NUT	2	4	PUSH NUT	2
5	SD284550	COMPRESSION SPRING	2	5	COMPRESSION SPRING	2

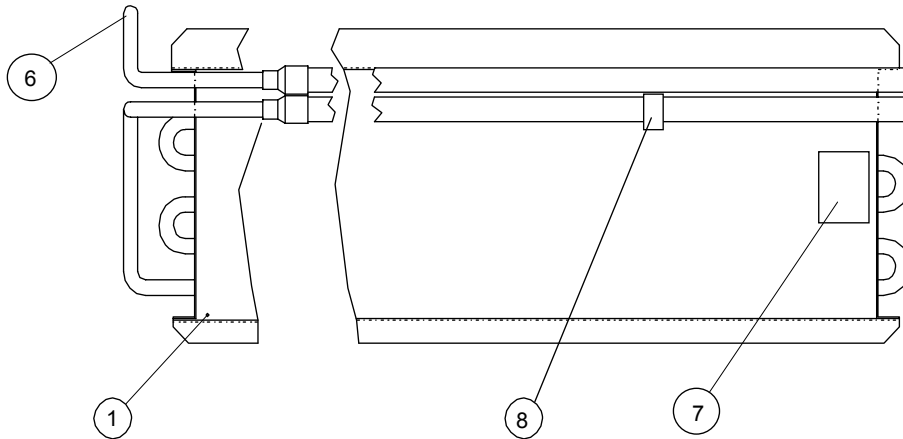
COVER ASSY WHITE SA223108 :-

ITEM	PARTNo	DESCRIPTION	QUANTITY
1	SD263061	MOULDED COVER WHITE	1
2	SD264206	LOUVRE ASSY WHITE (2 LOUVRES)	2
3	SD264451	FIXING PIN	2
4	SD279550	PUSH NUT	2
5	SD284550	COMPRESSION SPRING	2

7.0 OPTIONAL KITS

7.1 LPHW ASSEMBLIES

L.P.H.W. ASSEMBLIES FOR DH33/33(7) & DH55/55(7)



LPHW ASSY DH33 SA281901

ITEM	PART No	DESCRIPTION	QUANTITY
1	SD251750	LPHW FIN BLOCK	1
6	SD284450	AIR BLEED VALVE	1
7	SA253954	THERMOSTAT CALIBRATED TO 40°C	1
8	SD091050	PHIAL CLIP	1

LPHW ASSY DH55 SA281902

ITEM	PART No	DESCRIPTION	QUANTITY
1	SD251751	LPHW FIN BLOCK	1
6	SD284450	AIR BLEED VALVE	1
7	SA253954	THERMOSTAT CALIBRATED 40°C	1
8	SD091050	PHIAL CLIP	1

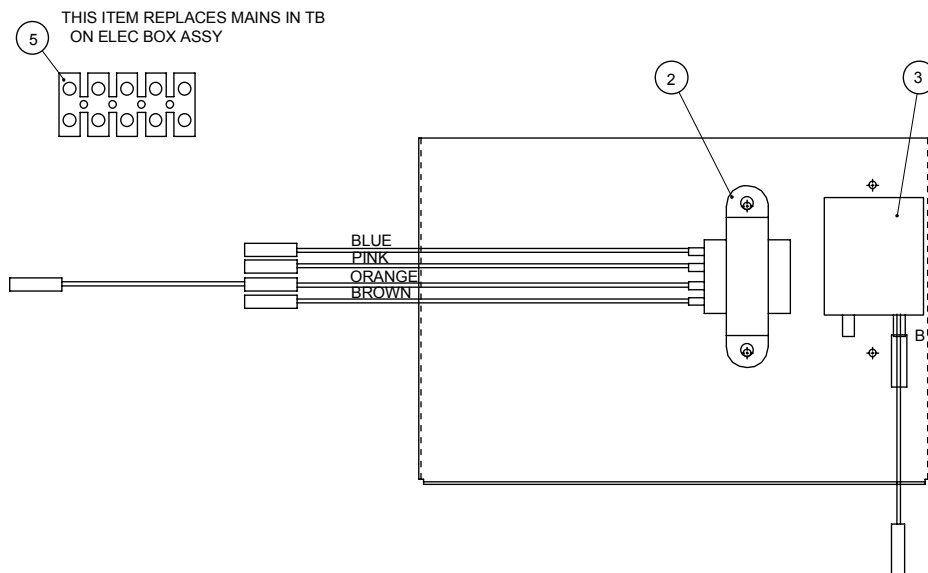
7.2 12V REMOTE HUMIDISTAT KIT

IF NOT ALREADY FACTORY FITTED

01/03	DH33/33(7)/55/55(7)A	D372752
02/04	DH33/33(7)/55/55(7)AX	D372753

NOTES

1. SEE WIRING DIAGRAMS FOR CONNECTION & ALTERATIONS TO ELEC BOX ASSY'S

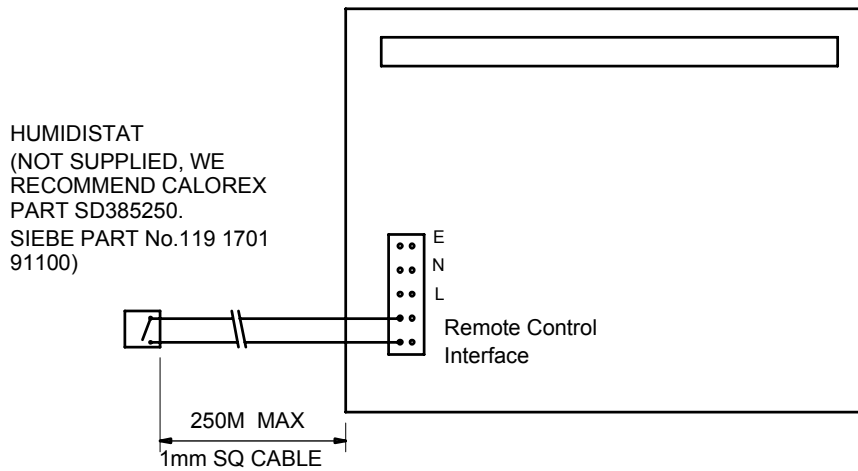


12V REMOTE HUMIDISTAT KIT
SA381001/02/03/04

ITEM	PART No	DESCRIPTION	QUANTITY
2	SD336550	TRANSFORMER 0-12 (12V)	1.000
3	SD378350	RELAY 25A 12V COIL	1.000
5	SD072853	15A 5 WAY TERM BLOCK	1.000

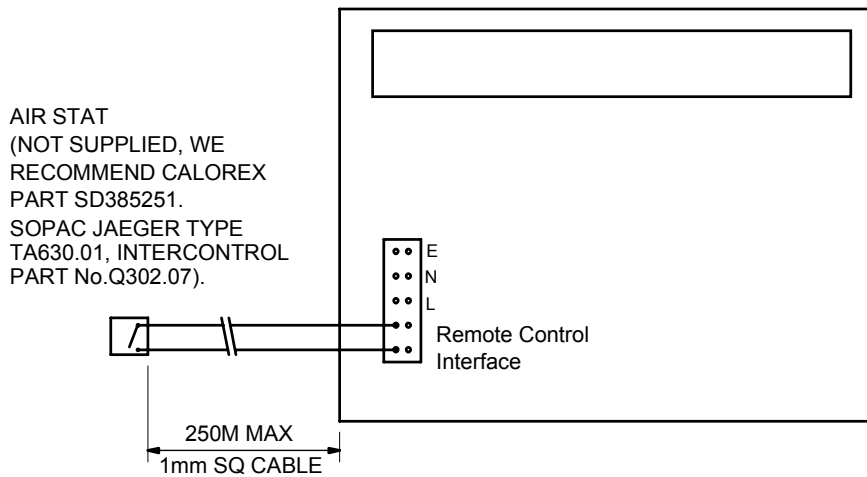
7.3 12V REMOTE HUMIDISTAT CONNECTIONS

12v REMOTE HUMIDISTAT CONNECTIONS



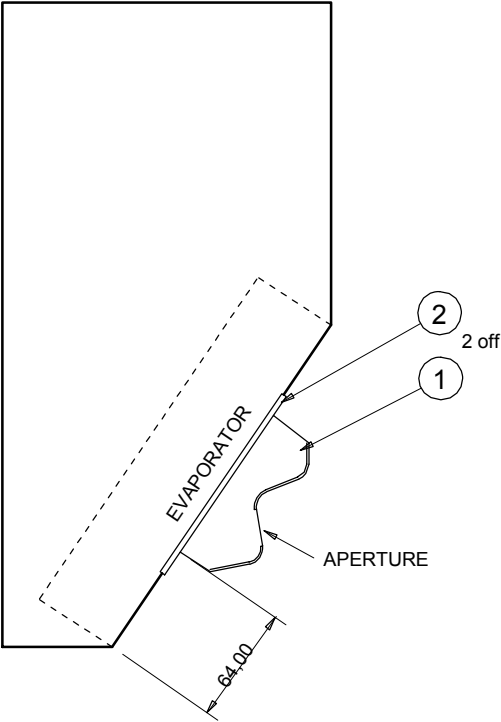
WITH REMOTE HUMIDISTAT FITTED ENSURE HUMIDISTAT
IN MACHINE IS SET FULLY CLOCKWISE (IE MAXIMUM DEHUMIDIFICATION)

12v REMOTE AIR THERMOSTAT CONNECTIONS



12v REMOTE AIR THERMOSTAT CONNECTIONS
FOR M/C WITH RESISTANCE HEATERS

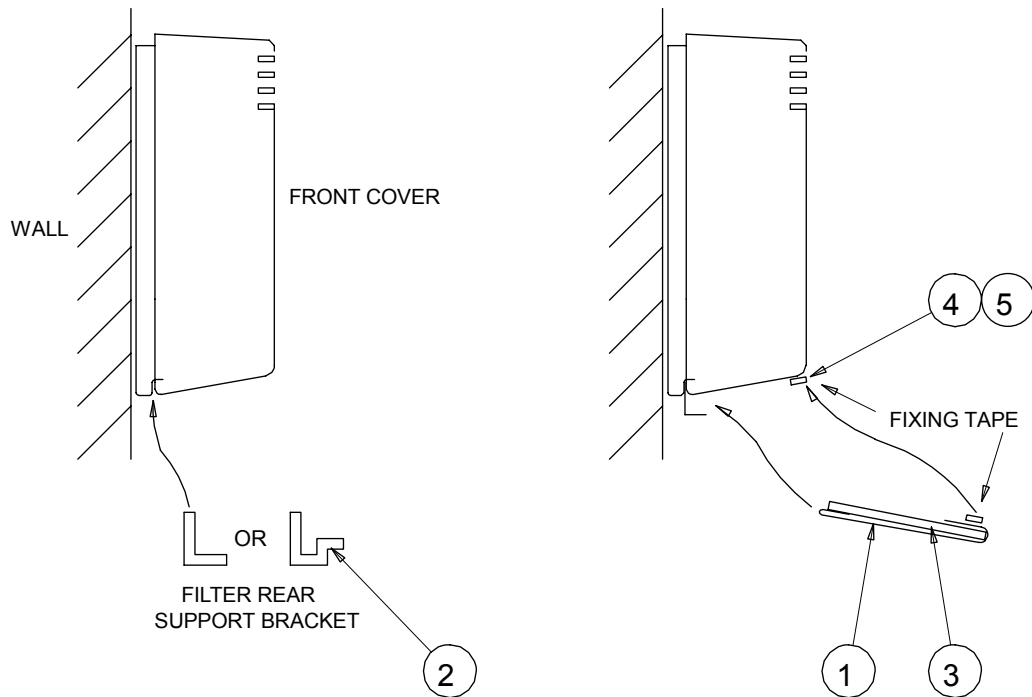
AUXILIARY DRIP TRAY (WEIR) KIT



KIT FOR DH30/33 SD64229501 :-
ITEM 1 - SD64218750 DRIP TRAY
ITEM 2 - D64229650 STRIP

KIT FOR DH50/55/60 SD64229502 :-
ITEM 1 - SD64218751 DRIP TRAY
ITEM 2 - D64229650 STRIP

7.5 AIR FILTER KITS



AIR FILTER KIT DH30/30(7) GRP COVER

ITEM	PART No	DESCRIPTION	QUANTITY
1	SD171950	FILTER HOLDER	1.000
2	SD172350	FILTER SUPPORT BRACKET	1.000
3	SD180250	FILTER MEDIA	1.000
4	SD180450	FIXING TAPE HOOK	0.700 M
5	SD180451	FIXING TAPE LOOP	0.700 M

AIR FILTER KIT DH50/50(7) GRP COVER

ITEM	PART No	DESCRIPTION	QUANTITY
1	SD171951	FILTER HOLDER	1.000
2	SD172351	FILTER SUPPORT BRACKET	1.000
3	SD180251	FILTER MEDIA	1.000
4	SD180450	FIXING TAPE HOOK	1.150 M
5	SD180451	FIXING TAPE LOOP	1.150 M

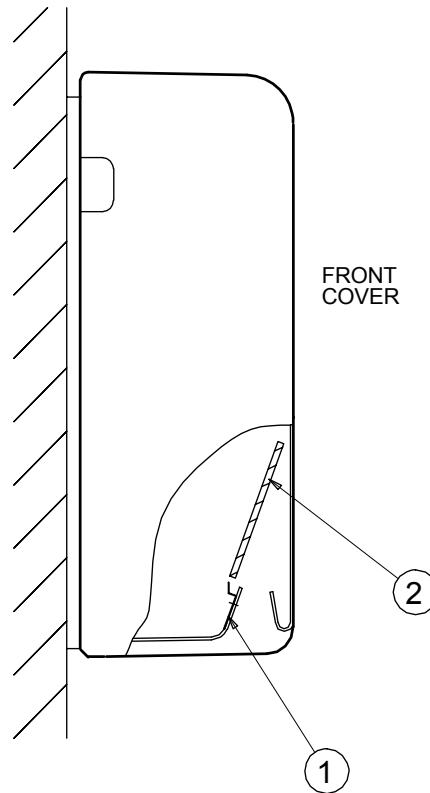
AIR FILTER KIT DH30/30(7) STEEL COVER

ITEM	PART No	DESCRIPTION	QUANTITY
1	SD171952	FILTER HOLDER	1.000
2	SD172451	FILTER SUPPORT BRACKET	1.000
3	SD180250	FILTER MEDIA	1.000
4	SD180450	FIXING TAPE HOOK	0.730 M
5	SD180451	FIXING TAPE LOOP	0.730 M

AIR FILTER KIT DH60/60(7) STEEL COVER

ITEM	PART No	DESCRIPTION	QUANTITY
1	SD171953	FILTER HOLDER	1.000
2	SD172450	FILTER SUPPORT BRACKET	1.000
3	SD180251	FILTER MEDIA	1.000
4	SD180450	FIXING TAPE HOOK	1.190 M
5	SD180451	FIXING TAPE LOOP	1.190 M

7.5 AIR FILTER KITS CONT



AIR FILTER KIT DH33/33(7) GRP COVER(282101)

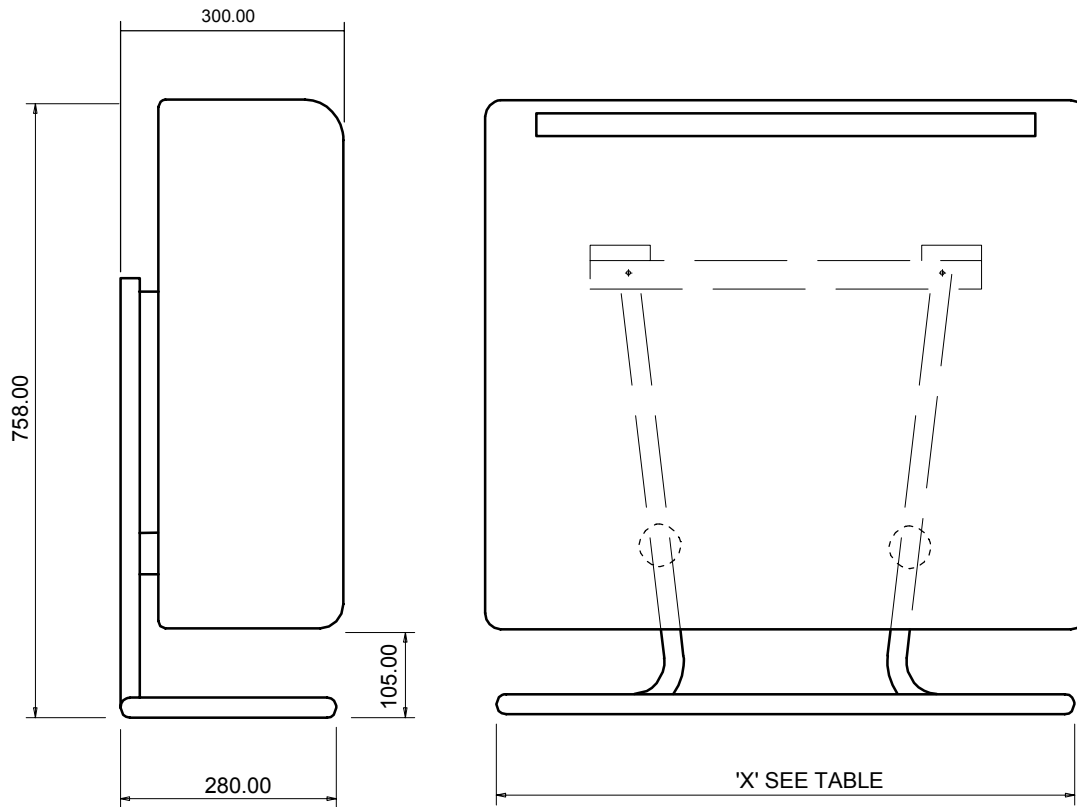
ITEM	PART No	DESCRIPTION	QUANTITY
1	SD268650	FILTER SUPPORT CHANNEL	1.000
2	SD264650	FILTER ASSY	1.000

AIR FILTER KIT DH55/55(7) GRP COVER(282102)

ITEM	PART No	DESCRIPTION	QUANTITY
ITEM 1	SD268651	FILTER SUPPORT CHANNEL	1.000
ITEM 2	SD264651	FILTER ASSY	1.000

7.6 FLOOR STAND KITS

SA64180901/02

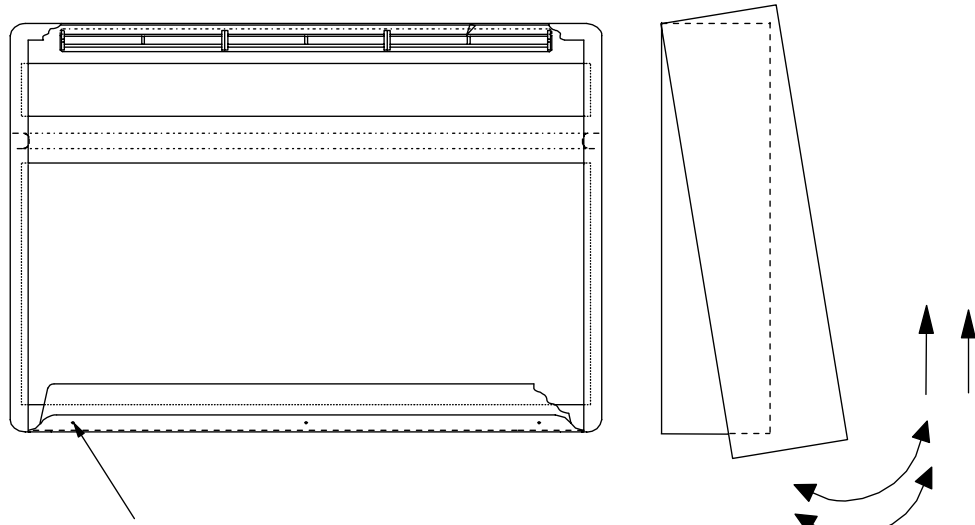


USED ON	STAND PART No	DIMENSION 'X'
DH30/33/3010	SD64172050	750.00mm
DH50/55/5010	SD64172051	1070.00mm

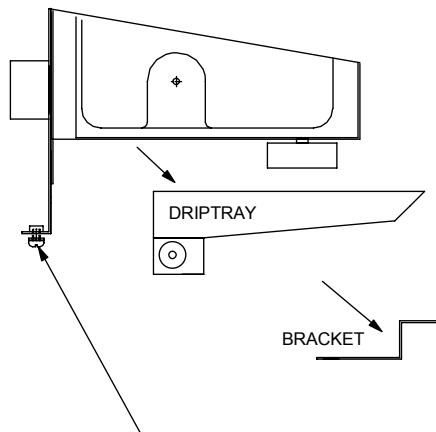
ASSEMBLY INSTRUCTIONS SHEET SD64326450

7.7 REMOVAL AND SERVICING OF DRIPTRAY

1. IMPORTANT BEFORE REMOVING COVER, ISOLATE POWER FROM DEHUMIDIFIER.



2. REMOVE SCREWS FROM POSITION SHOWN AND REMOVE COVER OF MACHINE



3. LOOSEN SCREWS FROM BUSHES SHOWN AND SLIDE BOTTOM BRACKET AWAY.

4. PULL DRIPTRAY DOWN TO REMOVE AND SERVICE AS REQUIRED.

5. REVERSE STEPS 1-4 TO REPLACE DRIPTRAY, BRACKET AND COVER.

NOTE: DH33 STYLE DEHUMIDIFIER SHOWN.

8.0 WARRANTY CONDITIONS

The following exclusions apply to the Warranty given by Calorex Heat Pumps Ltd.
No claims will be accepted if :-

1. The dehumidifier is incorrectly sized for the application.
2. The dehumidifier is installed in any way that is not in accordance with the current procedures as defined by Calorex Heat Pumps Ltd.
3. The dehumidifier has been worked upon or is adjusted by anyone other than a person authorised to do so by Calorex Heat Pumps Ltd.
4. The air flow through the machine is outside the specified limits.
5. The water flow through the machine is outside the specified limits.
6. The water pH level and/or chemical balance is outside the following limits:-

Acidity pH	pH	7.4 - 7.8
Total Alkalinity, as CaCO ₃	ppm	80 - 120
Total Hardness, as CaCO ₃	ppm	150 - 250
Total Dissolved Solids	ppm	1000
Maximum Salt Content	wt/wt	8mg/l
Free Chlorine Range	ppm	1 - 2 Domestic
Free Chlorine Range	ppm	3 - 6 Commercial
Superchlorination	max	30ppm for 24 hrs
Bromine	ppm	2 - 5
Baquacil	ppm	25 - 50
Ozone	ppm	0.9 Max
Maximum Copper Content	ppm	1
Aquamatic Ionic Purifier	ppm	2 Max

7. The dehumidifier has suffered frost damage.
8. The electrical supply is insufficient or in anyway incorrect.

IF IN DOUBT PLEASE ASK

Note:- The Reply Paid Warranty Registration Card must be returned, to ensure that the correct warranty is given. If you do not find a Registration Card with your Dehumidifier please contact the Calorex Service Department giving your name, address and serial number of your Dehumidifier. A card will be sent to you for completion.

Please give MODEL NUMBER and SERIAL NUMBER of your Dehumidifier when making technical or service enquiries. This will assist in correct diagnosis and ensure service can provide with a minimum delay.

PHONE 01621 857171

FAX 01621 850871

Email service@calorex.com

Web Site <http://www.calorex.com>

